

DASH NUMBER	CABLES ACCOMMODATED	A DIM	ØB DIM	C HEX	ASSEMBLE PER
-201	MI7/176-00002				
-202	TWC-78-1				
-203	TWC-124-1A	1.146	.339	.255	TAI-143
-204	10602, RAYCHEM				
-205	TWAC-78-1F2				
-206	782600130, RAYCHEM				
-207	83310 BELDEN	1.352	.442	.344	TAI-167
-208	202-3927, MICRODOT	1.146	.339	.255	TAI-143
-209	202-3942, MICRODOT				
-210	8451 BELDEN				TAI-167
-211	202-3934 MICRODOT				
-212	2524E0114, RAYCHEM				
-213	TWC-78-2	1.352	.442	.344	TAI-144
-214	TWC-124-2				
-215	BL-982 TIMES				
-216	BL-1242 TIMES				
-217	GC875TM24H, GRUMMAN				
-218	EPD221888, RAYCHEM				
-219	2526D1114, RAYCHEM				
-220	GC875RR1, GRUMMAN	1.146	.339	.255	TAI-143
-221	10614, RAYCHEM				
-222	10613, RAYCHEM				
-223	HMS2-1149, HUGHES				
-224	TWCP-124-3	1.352	.442	.344	TAI-144
-225	PS665PL, PRIME STOCK				

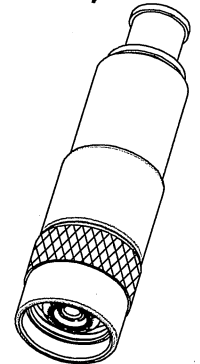
DASH NUMBER	CABLES ACCOMMODATED	A DIM	ØB DIM	C HEX	ASSEMBLE PER
-301	GC875GCI, GRUMMAN				
-302	GC875GB1, GRUMMAN	1.146	.339	.255	TAI-153
-303	5022E5111, RAYCHEM				
-304	7528A5314, RAYCHEM				
-305	MI7/177-00001				
-306	295-3804 MICRODOT				
-307	TRC-50-2	1.352	.442	.344	TAI-173
-308	MI7/134-00002				
-309	TRC-75-1				TAI-198
-309	TRC-75-2				TAI-173
-309	TRC-50-1	1.146	.339	.255	TAI-153

DATA CONTAINED IN THIS DOCUMENT IS PROPRIETARY OF TROMPETER ELECTRONICS INC AND SHALL NOT BE DISCLOSED, COPIED OR USED FOR PROCUREMENT OR MANUFACTURE WITHOUT EXPRESS WRITTEN PERMISSION.

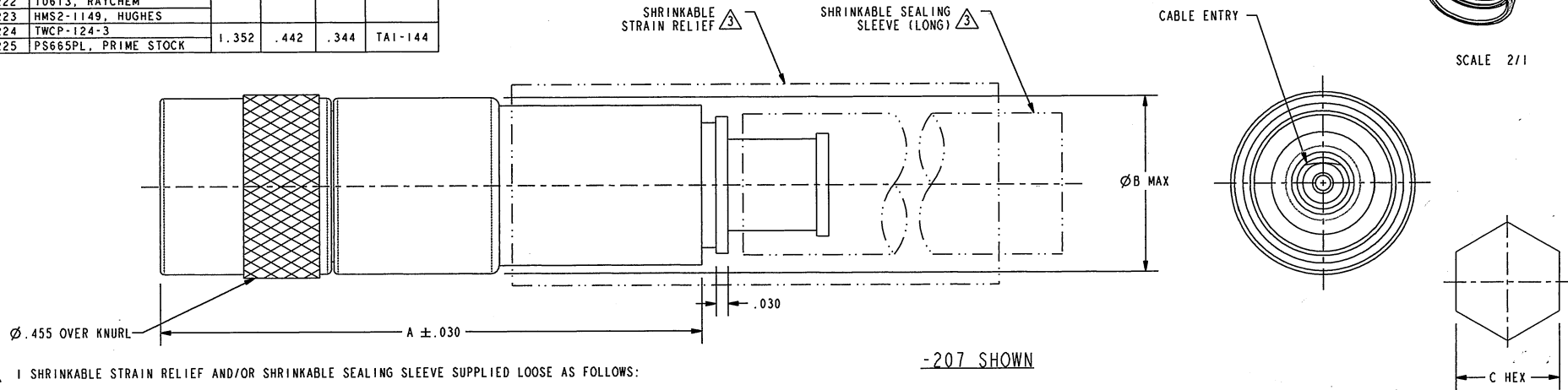
REVISIONS

REV	DESCRIPTION	DATE	APPROVED
F	REVISED PER ECO 16607	6/27/08	[Signature]

RED INDICATES ORIGINAL



SCALE 2/1



RECOMMENDED HEX CRIMP SCALE: NONE

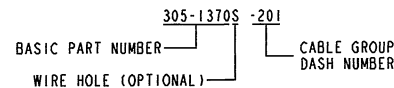
1 SHRINKABLE STRAIN RELIEF AND/OR SHRINKABLE SEALING SLEEVE SUPPLIED LOOSE AS FOLLOWS:

- A) CABLE GROUPS -207, -210 AND -307:
 - 1 SHRINKABLE STRAIN RELIEF (1.00" LONG)
 - 1 SHRINKABLE SEALING SLEEVE (1.25" LONG)
 - B) CABLE GROUPS -201 THROUGH -206, -208, -209, -217 THROUGH -223, -301, -302, -303 AND -309:
 - 1 SHRINKABLE SEALING SLEEVE (1.25" LONG)
 - C) CABLE GROUPS -211 THROUGH -216, -224, -225, -305, -306 AND -308
 - 1 SHRINKABLE STRAIN RELIEF (1.75" LONG)
2. THREADED SUBMINIATURE CONCENTRIC TWINAX (4 PIECE ASSEMBLY) AND TRIAX (6 PIECE ASSEMBLY), FULL CRIMP CABLE PLUG, VACUUM READY
1. FINISH: TFS-1U (NICKEL)

3 CHECK WITH CABLE MANUFACTURER FOR OUTGASSING PROPERTIES OF THE SELECTED CABLE

5. ALL MATERIALS MEET THE OUTGASSING REQUIREMENTS OF NASA SPECIFICATION SP-R-0022A AND TEI VACUUM READY SPECIFICATION TT-09

4. EXAMPLE OF COMPLETE PART NUMBER:



NOTES: UNLESS OTHERWISE SPECIFIED.

INTERPRET DRAWING PER MIL-STD-100. DIMENSIONS ARE IN INCHES AND INCLUDE FINISH THICKNESS UNLESS OTHERWISE SPECIFIED.	TOL: UNLESS SPECIFIED .XX ± .02 .XXX ± .010 ANGLE ± 1°	
DATE: H. JOHNSON 4-21-08	MATERIAL:	
APPROVED: [Signature] 6/27/08	FINISH:	TITLE: PL3155AC/PL3155ACS VACUUM READY
NEXT ASSY	DO NOT SCALE DWG	SIZE: B CAGE CODE: 14949 DRAWING NO.: 305-1370 REV: F SCALE: 4/1 DATE: 8-12-99 SHEET: IC