

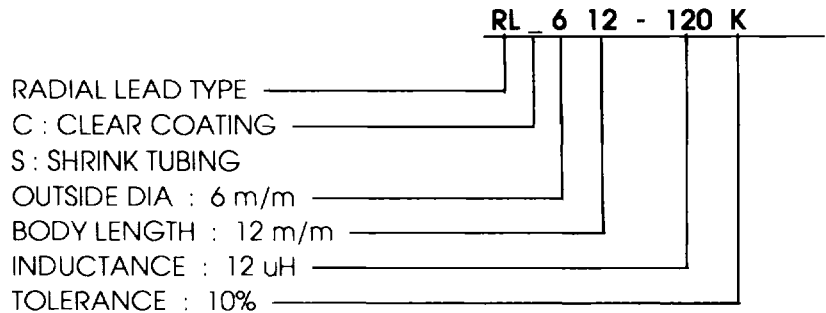
# RADIAL LEADED CHOKE

## RL SERIES

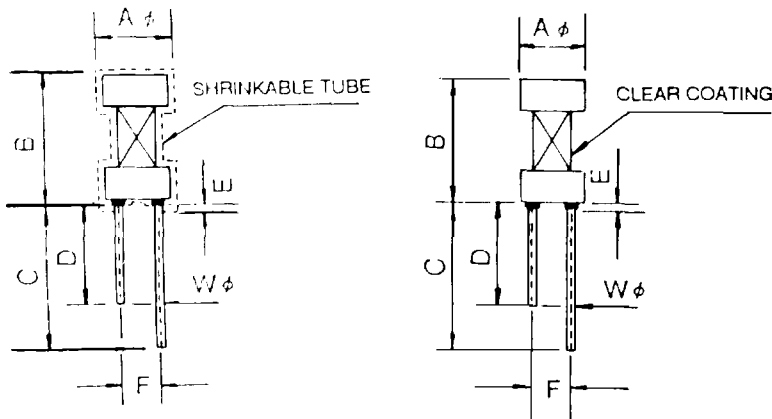
### FEATURES

RLC = CLEAR COATING  
 RLS = HEAT SHRINK TUBING  
 RADIAL LEADS  
 COLOR CODED IDENTIFICATION

### PART NUMBER DEFINITION



### PHYSICAL CONFIGURATION AND DIMENSIONS



PART #	A (m/m)	B (m/m)	C (m/m)	D (m/m)	E (m/m)	F (m/m)	W (m/m)	INDUCTANCE RANGE
RL_608	6.0 +0	8.0 +0	15.0 -0	10.0 -0	3.0 +0	2	0.5	1 uH ~ 1000 uH
RL_610	6.0 +0	10.0 +0	15.0 -0	10.0 -0	3.0 +0	3.5	0.65	1 uH ~ 1000 uH
RL_812	8.0 +0	12.0 +0	15.0 -0	10.0 -0	3.0 +0	3.5	0.65	47 uH ~ 47 mH
RL_1014	10.0 +0	14.0 +0	15.0 -0	10.0 -0	3.0 +0	5	0.65	100 uH ~ 100 mH
RL_1216	12.0 +0	16.0 +0	15.0 -0	10.0 -0	3.0 +0	7.5	0.8	10 mH ~ 150 mH

**RADIAL LEADED INDUCTORS****RL608 SERIES**

<i>Part #</i>	<i>L (uH)</i>	<i>Q min.</i>	<i>Test Freq. MHZ</i>	<i>SRF MHZ min.</i>	<i>DCR Ohms max.</i>	<i>DCC (mA) min.</i>
RL_608-1R0K	1.00 +- 10%	50	7.96	100	0.1	900
RL_608-1R2K	1.20 +- 10%	50	7.96	85	0.15	850
RL_608-1R5K	1.50 +- 10%	50	7.96	70	0.2	800
RL_608-1R8K	1.80 +- 10%	50	7.96	60	0.22	750
RL_608-2R2K	2.20 +- 10%	50	7.96	55	0.24	700
RL_608-2R7K	2.70 +- 10%	50	7.96	50	0.27	650
RL_608-3R3K	3.30 +- 10%	50	7.96	45	0.3	600
RL_608-3R9K	3.90 +- 10%	50	7.96	40	0.32	560
RL_608-4R7K	4.70 +- 10%	50	7.96	35	0.35	535
RL_608-5R6K	5.60 +- 10%	50	7.96	33	0.37	520
RL_608-6R8K	6.80 +- 10%	50	7.96	27	0.4	500
RL_608-8R2K	8.20 +- 10%	50	7.96	25	0.45	450
RL_608-100K	10.0 +- 10%	50	2.52	20	0.6	380
RL_608-120K	12.0 +- 10%	50	2.52	18	0.8	350
RL_608-150K	15.0 +- 10%	50	2.52	17	0.9	335
RL_608-180K	18.0 +- 10%	50	2.52	15	1	315
RL_608-220K	22.0 +- 10%	50	2.52	13	1.2	285
RL_608-270K	27.0 +- 10%	50	2.52	11	1.4	270
RL_608-330K	33.0 +- 10%	50	2.52	10.5	1.7	255
RL_608-390K	39.0 +- 10%	45	2.52	10	2	240
RL_608-470K	47.0 +- 10%	45	2.52	9.5	2.4	205
RL_608-560K	56.0 +- 10%	45	2.52	9	2.8	195
RL_608-680K	68.0 +- 10%	45	2.52	8.5	3	185
RL_608-820K	82.0 +- 10%	45	2.52	7.5	3.2	175
RL_608-101K	100 +- 10%	45	0.796	7.5	3.4	170
RL_608-121K	120 +- 10%	45	0.796	6	3.6	165
RL_608-151K	150 +- 10%	45	0.796	5.5	3.8	165
RL_608-181K	180 +- 10%	45	0.796	5	4.2	160
RL_608-221K	220 +- 10%	45	0.796	4	5	140
RL_608-271K	270 +- 10%	45	0.796	3.6	6	130
RL_608-331K	330 +- 10%	45	0.796	3.3	6.5	125
RL_608-391K	390 +- 10%	45	0.796	3	7.5	115
RL_608-471K	470 +- 10%	45	0.796	2.8	8	110
RL_608-561K	560 +- 10%	45	0.796	2.4	12.5	90
RL_608-681K	680 +- 10%	45	0.796	2.2	14	85
RL_608-821K	820 +- 10%	45	0.796	2	15.5	80
RL_608-102K	1000 +- 10%	40	0.252	1.8	18.5	75

# RADIAL LEADED INDUCTORS

## RL610 SERIES



Part #	L (uH)	Q min.	Test Freq. MHZ	SRF MHZ min.	DCR Ohms max.	DCC (mA) min.
RL_610-1R0K	1.00 +- 10%	60	7.96	105	0.2	1030
RL_610-1R2K	1.20 +- 10%	60	7.96	90	0.25	980
RL_610-1R5K	1.50 +- 10%	60	7.96	75	0.25	920
RL_610-1R8K	1.80 +- 10%	60	7.96	70	0.25	880
RL_610-2R2K	2.20 +- 10%	60	7.96	65	0.25	830
RL_610-2R7K	2.70 +- 10%	60	7.96	60	0.3	790
RL_610-3R3K	3.30 +- 10%	60	7.96	50	0.3	750
RL_610-3R9K	3.90 +- 10%	60	7.96	45	0.3	720
RL_610-4R7K	4.70 +- 10%	60	7.96	40	0.35	670
RL_610-5R6K	5.60 +- 10%	60	7.96	35	0.35	640
RL_610-6R8K	6.80 +- 10%	60	7.96	30	0.4	620
RL_610-8R2K	8.20 +- 10%	60	7.96	25	0.4	590
RL_610-100K	10.0 +- 10%	60	2.52	20	0.45	550
RL_610-120K	12.0 +- 10%	60	2.52	18	0.5	530
RL_610-150K	15.0 +- 10%	60	2.52	17	0.55	500
RL_610-180K	18.0 +- 10%	60	2.52	15	0.6	480
RL_610-220K	22.0 +- 10%	60	2.52	12	0.65	460
RL_610-270K	27.0 +- 10%	50	2.52	10	0.75	430
RL_610-330K	33.0 +- 10%	50	2.52	9	0.85	410
RL_610-390K	39.0 +- 10%	50	2.52	8.5	0.9	390
RL_610-470K	47.0 +- 10%	50	2.52	8	1	370
RL_610-560K	56.0 +- 10%	50	2.52	7.5	1.2	350
RL_610-680K	68.0 +- 10%	50	2.52	7	1.3	340
RL_610-820K	82.0 +- 10%	50	2.52	6	1.5	320
RL_610-101K	100 +- 10%	50	0.796	5.5	1.6	305
RL_610-121K	120 +- 10%	50	0.796	5	1.68	290
RL_610-151K	150 +- 10%	50	0.796	4.6	1.85	275
RL_610-181K	180 +- 10%	50	0.796	4.2	2.1	185
RL_610-221K	220 +- 10%	45	0.796	3.8	2.3	175
RL_610-271K	270 +- 10%	45	0.796	3.2	2.75	165
RL_610-331K	330 +- 10%	45	0.796	3	4.68	155
RL_610-391K	390 +- 10%	45	0.796	2.6	6	145
RL_610-471K	470 +- 10%	55	0.796	2.4	6.5	140
RL_610-561K	560 +- 10%	55	0.796	2.2	8.5	135
RL_610-681K	680 +- 10%	55	0.796	2.1	9	125
RL_610-821K	820 +- 10%	55	0.796	1.9	9.6	120
RL_610-102K	1000 +- 10%	55	0.0796	1.6	11.5	100

# RADIAL LEADED INDUCTORS

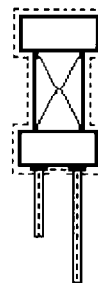
## RL812 SERIES



Part #	L (uH)	Q min.	Test Freq. MHZ	SRF MHZ min.	DCR Ohms max.	DCC (mA) min.
RL_812-470K	47 +- 10%	45	2.52	6	0.55	220
RL_812-560K	56 +- 10%	45	2.52	5.5	0.6	210
RL_812-680K	68 +- 10%	45	2.52	5	0.65	200
RL_812-820K	82 +- 10%	45	2.52	4.5	0.7	190
RL_812-101K	100 +- 10%	45	0.796	4.2	0.7	180
RL_812-121K	120 +- 10%	45	0.796	3.6	0.8	170
RL_812-151K	150 +- 10%	45	0.796	3.4	0.9	160
RL_812-181K	180 +- 10%	45	0.796	3.2	1	150
RL_812-221K	220 +- 10%	45	0.796	3	1.4	140
RL_812-271K	270 +- 10%	30	0.796	2.8	1.8	130
RL_812-331K	330 +- 10%	30	0.796	2.5	2	130
RL_812-391K	390 +- 10%	30	0.796	2.3	2.4	125
RL_812-471K	470 +- 10%	30	0.796	2.2	2.8	120
RL_812-561K	560 +- 10%	30	0.796	2	3	110
RL_812-681K	680 +- 10%	45	0.796	1.7	3.2	100
RL_812-821K	820 +- 10%	45	0.796	1.5	3.6	90
RL_812-102K	1000 +- 10%	45	0.252	1.4	3.9	80
RL_812-122K	1200 +- 10%	60	0.252	1.1	5	75
RL_812-152K	1500 +- 10%	60	0.252	0.9	6	70
RL_812-182K	1800 +- 10%	60	0.252	0.8	7	65
RL_812-222K	2200 +- 10%	60	0.252	0.75	8	60
RL_812-272K	2700 +- 10%	60	0.252	0.7	9	55
RL_812-332K	3300 +- 10%	60	0.252	0.6	12	50
RL_812-392K	3900 +- 10%	60	0.252	0.55	14	45
RL_812-472K	4700 +- 10%	60	0.252	0.5	16	42
RL_812-562K	5600 +- 10%	60	0.252	0.48	18	40
RL_812-682K	6800 +- 10%	60	0.252	0.44	24	35
RL_812-822K	8200 +- 10%	60	0.252	0.4	30	30
RL_812-103K	10000+- 10%	60	0.0796	0.36	39	26
RL_812-123K	12000+- 10%	50	0.0796	0.32	46	24
RL_812-153K	15000+- 10%	50	0.0796	0.3	54	22
RL_812-183K	18000+- 10%	50	0.0796	0.28	76	20
RL_812-223K	22000+- 10%	50	0.0796	0.24	92	18
RL_812-273K	27000+- 10%	50	0.0796	0.2	102	16
RL_812-333K	33000+- 10%	50	0.0796	0.16	110	14
RL_812-393K	39000+- 10%	50	0.0796	0.13	136	12
RL_812-473K	47000+- 10%	50	0.0796	0.1	162	10

# RADIAL LEADED INDUCTORS

## RL1014 SERIES



Part #	L (uH)	Q min.	Test Freq. KHZ	SRF MHZ min.	DCR Ohms max.	DCC (mA) min.
RL_1014-101K	100 +- 10%	45	796	4.3	0.85	343
RL_1014-121K	120 +- 10%	45	796	4.1	0.95	324
RL_1014-151K	150 +- 10%	45	796	3.7	1.05	309
RL_1014-181K	180 +- 10%	45	796	3.3	1.15	295
RL_1014-221K	220 +- 10%	45	796	2.3	1.3	275
RL_1014-271K	270 +- 10%	45	796	2	1.5	260
RL_1014-331K	330 +- 10%	45	796	1.95	1.7	240
RL_1014-391K	390 +- 10%	45	796	1.85	1.85	230
RL_1014-471K	470 +- 10%	45	796	1.57	2.3	210
RL_1014-561K	560 +- 10%	45	796	1.5	2.55	200
RL_1014-681K	680 +- 10%	45	796	1.4	2.85	190
RL_1014-821K	820 +- 10%	45	796	1.32	3.1	180
RL_1014-102K	1000 +- 10%	50	252	1.25	4.1	160
RL_1014-122K	1200 +- 10%	50	252	1.2	4.7	150
RL_1014-152K	1500 +- 10%	50	252	1	5.8	130
RL_1014-182K	1800 +- 10%	50	252	0.9	7.4	115
RL_1014-222K	2200 +- 10%	50	252	0.8	8.4	110
RL_1014-272K	2700 +- 10%	50	252	0.7	9.6	95
RL_1014-332K	3300 +- 10%	50	252	0.6	10.5	80
RL_1014-392K	3900 +- 10%	50	252	0.55	12	70
RL_1014-472K	4700 +- 10%	50	252	0.5	14	65
RL_1014-562K	5600 +- 10%	50	252	0.45	16	60
RL_1014-682K	6800 +- 10%	50	252	0.42	18	55
RL_1014-822K	8200 +- 10%	50	252	0.4	24.5	50
RL_1014-103K	10000 +- 10%	50	79.6	0.38	32	45
RL_1014-123K	12000 +- 10%	50	79.6	0.36	36	40
RL_1014-153K	15000 +- 10%	50	79.6	0.3	38	35
RL_1014-183K	18000 +- 10%	45	79.6	0.28	42	30
RL_1014-223K	22000 +- 10%	45	79.6	0.26	50	28
RL_1014-273K	23000 +- 10%	45	79.6	0.24	62	26
RL_1014-333K	33000 +- 10%	45	79.6	0.22	74	24
RL_1014-393K	39000 +- 10%	40	79.6	0.2	96	22
RL_1014-473K	47000 +- 10%	35	79.6	0.18	102	20
RL_1014-563K	56000 +- 10%	35	79.6	0.16	125	18
RL_1014-683K	68000+- 10%	35	79.6	0.14	188	16
RL_1014-823K	82000 +- 10%	30	79.6	0.12	240	14
RL_1014-104K	100000+- 10%	30	79.6	0.1	295	12

# RADIAL LEADED INDUCTORS

## RL1216 SERIES



Part #	L (uH)	Q min.	Test Freq. KHZ	SRF KHZ min.	DCR Ohms max.	DCC (mA) min.
RL_1216-103K	10000 +- 10%	50	79.6	300	23	100
RL_1216-123K	12000 +- 10%	50	79.6	260	24	95
RL_1216-153K	15000 +- 10%	50	79.6	240	28	90
RL_1216-183K	18000 +- 10%	50	79.6	220	34	85
RL_1216-223K	22000 +- 10%	50	79.6	200	39	80
RL_1216-273K	23000 +- 10%	50	79.6	170	48	70
RL_1216-333K	33000 +- 10%	50	79.6	160	56	65
RL_1216-393K	39000 +- 10%	50	79.6	150	62	60
RL_1216-473K	47000 +- 10%	45	79.6	140	73	55
RL_1216-563K	56000 +- 10%	45	79.6	110	115	50
RL_1216-683K	68000+- 10%	45	79.6	105	120	45
RL_1216-823K	82000 +- 10%	45	79.6	96	150	42
RL_1216-104K	100000+- 10%	30	25.2	90	155	40
RL_1216-124K	120000+- 10%	30	25.2	76	180	38
RL_1216-154K	150000+- 10%	30	25.2	64	205	35