

TABLE 1		
GROUP NO	CABLE ACCOMMODATED	ASSEMBLE PER
-301	GC875GC1, GRUMMAN	TAI-229
-302	GC875GB1, GRUMMAN	
-303	7528A5314, RAYCHEM	
-304	-----	
-305	M17/177-00001	
-306	M17/134-00001 TRCH-50-2	
-307	TRC-75-1	
-308	TRC-75-2	
-309	TRC-50-1	

TABLE 2		
MODEL NO	PART NO	DESCRIPTION
PL74MC	3-0309-1	2 LUG TRB
PL75MC	3-0309-2	3 LUG TRB

TABLE 3				
POLARIZATION CHART (PL75MC)				
KEY LETTER	A°	B°	C°	COLOR BAND
NONE	120°	120°	120°	NONE
T	100°	150°	110°	RED
U	120°	130°	110°	ORANGE
V	115°	130°	115°	YELLOW
W	125°	110°	125°	GREEN
X	130°	100°	130°	BLUE
Y	110°	140°	110°	VIOLET
Z	100°	160°	100°	GRAY
S	135°	135°	90°	WHITE

3. EXAMPLE OF COMPLETE MODEL NUMBER:

PL75MC T - 306

BASIC MODEL NO. (SEE TABLE 2)

CABLE GROUP DASH NO. (SEE TABLE 1)

POLARIZATION LETTER, PL75MC ONLY, NOT REQ FOR STD (SEE TABLE 3)

2. FINISH: TFS-1A (NICKEL)

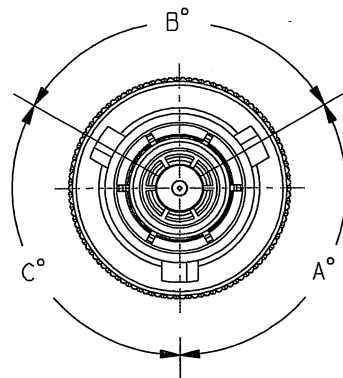
1. CONCENTRIC TRIAX 2 OR 3 LUG TRB TYPE MILITARY FULL CRIMP CABLE PLUG

NOTES: UNLESS OTHERWISE SPECIFIED.

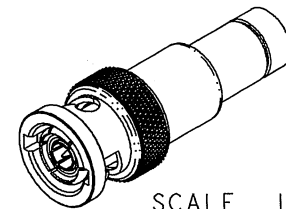
DATA CONTAINED IN THIS DOCUMENT IS PROPRIETARY TO TROMPETER-ELECTRONICS INC. AND SHALL NOT BE DISCLOSED, COPIED OR USED FOR PROCUREMENT OR MANUFACTURE WITHOUT EXPRESS WRITTEN PERMISSION.

REVISIONS			
REV	DESCRIPTIONS	DATE	APPROVED
B	REVISED PER ECO #16477	10/16/07	AME

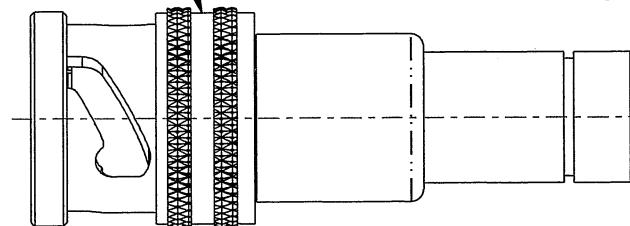
RED INDICATES ORIGINAL



COLOR BAND

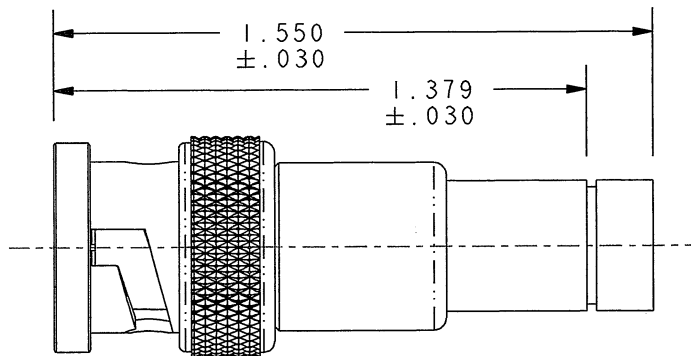
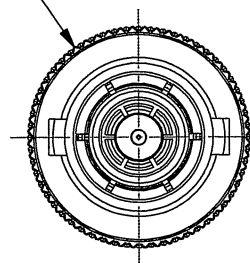


SCALE 1/1

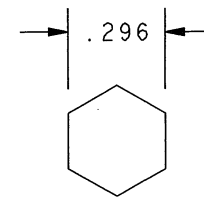


PL75MC SHOWN

Ø .593 MAX



PL74MC SHOWN



RECOMMENDED HEX CRIMP

INTERPRET DRAWING PER MIL-STD-100. DIMENSIONS ARE IN INCHES AND INCLUDE FINISH THICKNESS UNLESS OTHERWISE SPECIFIED.

TOL: UNLESS SPECIFIED.
.XX ± .02
.XXX ± .010
ANGLE ± 1°

TROMPETER
ELECTRONICS, INC.

DRN	CJJ	9-27-07
CHK	9L	10-12-07
QUANTITY		
MANUF		
APPROVED	AM	10/12/07

MATERIAL:	
FINISH:	

TITLE: PL74MC / PL75MC			
SIZE	CAGE CODE	DRAWING NO.	REV.
A	14949	3-0309	B
SCALE	DATE	SHEET	IC
2/1	3-13-00		

NEXT ASSY

PROJ FILE NO. 3-0309

DO NOT SCALE DWG