

FEATURES AND SPECIFICATIONS

Features and Benefits

- Sizes 8 to 130 circuits
- With PC slot and guide ears for blind-mate applications
- Polarization slots and guide ears assure error free mating
- Drawn .025" square wire provides 4-sided smooth surface for quality interface

Reference Information

Product Specification: PS-70204
 Packaging: Tray
 UL File No.: E29179 (H)
 CSA File No.: LR19980A
 Mates With: 7990NA and 71973 with flange
 Designed In: Inches

Electrical

Voltage: 250V
 Current: 3.0A
 Contact Resistance: 15mΩ max.
 Dielectric Withstanding Voltage: 600V
 Insulation Resistance: 1000 MΩ min.

Mechanical

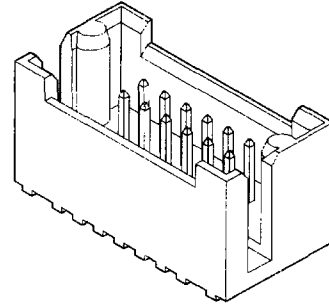
Pin Retention to Housing: 1.8kg (4 lb)
 Durability: 25 cycles Tin/Lead and 50 cycles Gold

Physical

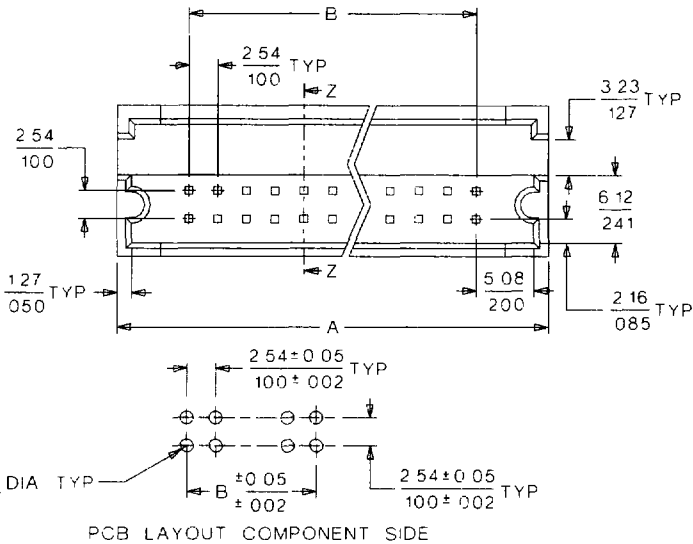
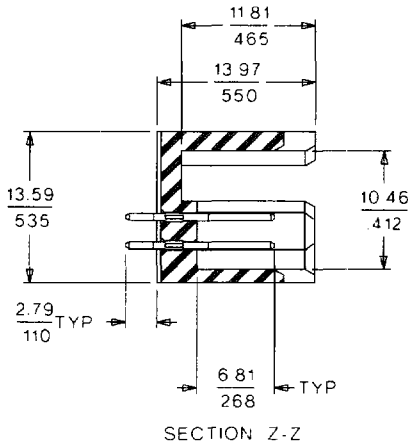
Housing: Glass-filled nylon, UL 94V-0
 Contact: Phosphor Bronze
 Plating: See Table
 Temperature: -40 to +105°C

**molex® 2.54mm (.100") Pitch
 C-Grid®
 Shrouded Header**

**70204
 Dual Row
 With PC Slot and Guide Ears**



Not For Use With C-Grid III™ Components



ORDERING INFORMATION AND DIMENSIONS

Circuits	Dimension	
	A	B
8	20.32 (.800)	7.62 (.300)
10	22.86 (.900)	10.16 (.400)
12	25.40 (1.000)	12.70 (.500)
14	27.94 (1.100)	15.24 (.600)
16	30.48 (1.200)	17.78 (.700)
18	33.02 (1.300)	20.32 (.800)
20	35.56 (1.400)	22.86 (.900)
22	38.10 (1.500)	25.40 (1.000)
24	40.64 (1.600)	27.94 (1.100)
26	43.18 (1.700)	30.48 (1.200)
28	45.72 (1.800)	33.02 (1.300)
30	48.26 (1.900)	35.56 (1.400)
32	50.80 (2.000)	38.10 (1.500)
34	53.34 (2.100)	40.64 (1.600)
36	55.88 (2.200)	43.18 (1.700)
38	58.42 (2.300)	45.72 (1.800)
40	60.96 (2.400)	48.26 (1.900)
42	63.50 (2.500)	50.80 (2.000)

Circuits	Dimension	
	A	B
44	66.04 (2.600)	53.34 (2.100)
46	68.58 (2.700)	55.88 (2.200)
48	71.12 (2.800)	58.42 (2.300)
50	73.66 (2.900)	60.96 (2.400)
52	76.20 (3.000)	63.50 (2.500)
54	78.74 (3.100)	66.04 (2.600)
56	81.28 (3.200)	68.58 (2.700)
58	83.82 (3.300)	71.12 (2.800)
60	86.36 (3.400)	73.66 (2.900)
62	88.90 (3.500)	76.20 (3.000)
64	91.44 (3.600)	78.74 (3.100)
66	93.98 (3.700)	81.28 (3.200)
68	96.52 (3.800)	83.82 (3.300)
70	99.06 (3.900)	86.36 (3.400)
72	101.60 (4.000)	88.90 (3.500)
74	104.14 (4.100)	91.44 (3.600)
76	106.68 (4.200)	93.98 (3.700)
78	109.22 (4.300)	96.52 (3.800)

Circuits	Dimension	
	A	B
80	111.76 (4.400)	99.06 (3.900)
82	114.30 (4.500)	101.60 (4.000)
84	116.84 (4.600)	104.14 (4.100)
86	119.38 (4.700)	106.68 (4.200)
88	121.92 (4.800)	109.22 (4.300)
90	124.46 (4.900)	111.76 (4.400)
92	127.00 (5.000)	114.30 (4.500)
94	129.54 (5.100)	116.84 (4.600)
96	132.08 (5.200)	119.38 (4.700)
98	134.62 (5.300)	121.92 (4.800)
100	137.16 (5.400)	124.46 (4.900)
102	139.70 (5.500)	127.00 (5.000)
104	142.24 (5.600)	129.54 (5.100)

Circuits	Dimension	
	A	B
106	144.78 (5.700)	132.08 (5.200)
108	147.32 (5.800)	134.62 (5.300)
110	149.86 (5.900)	137.16 (5.400)
112	152.40 (6.000)	139.70 (5.500)
114	154.94 (6.100)	142.24 (5.600)
116	157.48 (6.200)	144.78 (5.700)
118	160.02 (6.300)	147.32 (5.800)
120	162.56 (6.400)	149.86 (5.900)
122	165.10 (6.500)	152.40 (6.000)
124	167.64 (6.600)	154.94 (6.100)
126	170.18 (6.700)	157.48 (6.200)
128	172.72 (6.800)	160.02 (6.300)
130	175.26 (6.900)	162.56 (6.400)

Plating Options	Order No.
15µ" min. select Gold	• 25-02-6XXX
30µ" min. select Gold	• 25-02-1XXX
150µ" Tin/Lead overall	• 25-02-2XXX
Replace XXX with no. of circuits. 008-130 (even only)	

• US Standard Product, available through Molex franchised distributors