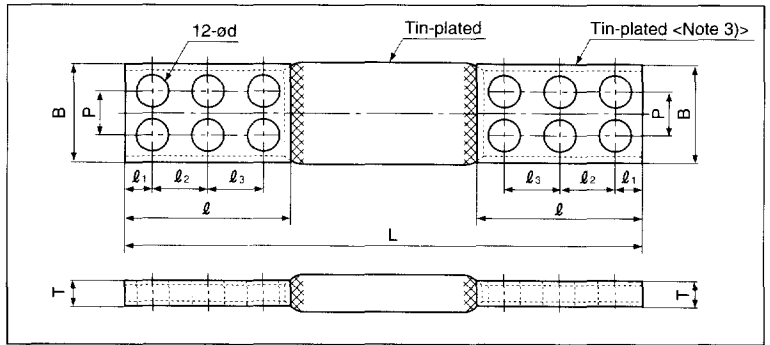
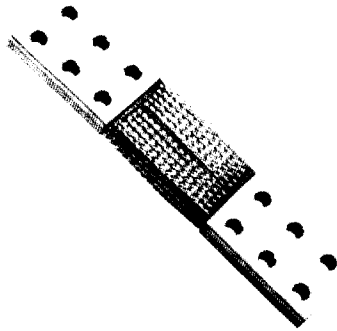


Shunt wires

SHUNT WIRE (JD type)



Part No.	Dimensions mm (in.)									Conductor Total Cross Sectional Area (mm ²)	Current Rating (A) (as a reference)	Strand Dia. mm (in.)
	L	ø d	B	P	l	l ₁	l ₂	l ₃	T			
JD1-L	—	18 (.709)	100 (3.937)	50 (1.969)	150 (5.906)	25 (.984)	50 (1.969)	50 (1.969)	25.0 (.984)	1,400	2,500	0.18 (.007)
JD2-L	—	18 (.709)	100 (3.937)	50 (1.969)	150 (5.906)	25 (.984)	50 (1.969)	50 (1.969)	28.0 (1.102)	1,600	2,700	
JD3-L	—	18 (.709)	100 (3.937)	50 (1.969)	150 (5.906)	25 (.984)	50 (1.969)	50 (1.969)	30.5 (1.201)	1,800	2,900	

Note: 1) The current ratings indicated in the table are reference values for a temperature rise of 50°C in the atmosphere.

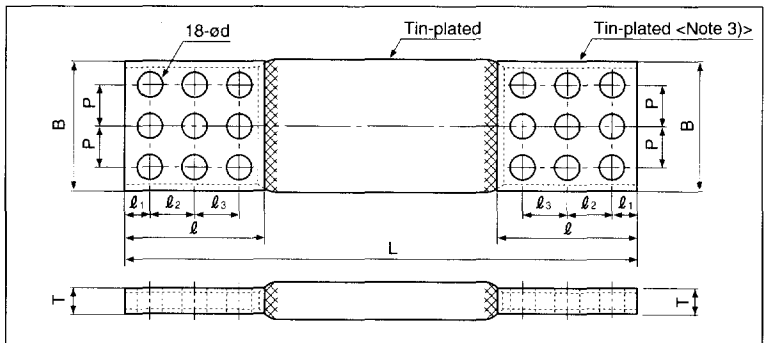
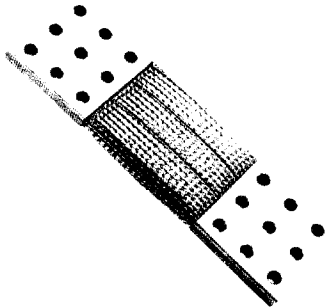
These currents may change in accordance with the method of use and the ambient conditions.

2) Indicate the desired length in place of the "L" in the part number. Example: For a length of 200mm for model JD1, specify JD1-200.

3) Other plating (ex. Silver-plating) is also possible. Contact JST for details.

Shunt wires

SHUNT WIRE (JE type)



Part No.	Dimensions mm (in.)									Conductor Total Cross Sectional Area (mm ²)	Current Rating (A) (as a reference)	Strand Dia. mm (in.)
	L	ø d	B	P	l	l ₁	l ₂	l ₃	T			
JE1-L	—	14 (.551)	120 (4.724)	40 (1.575)	120 (4.724)	20 (.787)	40 (1.575)	40 (1.575)	26.5 (1.043)	1,800	3,200	0.18 (.007)
JE2-L	—	14 (.551)	120 (4.724)	40 (1.575)	120 (4.724)	20 (.787)	40 (1.575)	40 (1.575)	30.2 (1.189)	2,160	3,450	
JE3-L	—	18 (.709)	150 (5.906)	50 (1.969)	150 (5.906)	25 (.984)	50 (1.969)	50 (1.969)	25.5 (1.004)	2,100	3,600	
JE4-L	—	18 (.709)	150 (5.906)	50 (1.969)	150 (5.906)	25 (.984)	50 (1.969)	50 (1.969)	31.5 (1.240)	2,700	4,000	

Note: 1) The current ratings indicated in the table are reference values for a temperature rise of 50°C in the atmosphere.

These currents may change in accordance with the method of use and the ambient conditions.

2) Indicate the desired length in place of the "L" in the part number. Example: For a length of 200mm for model JE1, specify JE1-200.

3) Other plating (ex. Silver-plating) is also possible. Contact JST for details.