

STRIPS MTSW & HMTSW SERIES

PLATING OPTION

- L**
= 10µ" (0,25µm) Gold on contact area, Matte Tin on tail
- G**
= 10µ" (0,25µm) Gold on contact area, Gold flash on balance
- T**
= Matte Tin
- S**
= 30µ" (0,76µm) Gold on contact area, Matte Tin on tail

ROW OPTION

- S**
= Single
- D**
= Double
- T**
= Triple
- Q**
= Double Row .200" (5,08mm) row space

POST HEIGHT

OTHER OPTION

- RA or -RE** = Right Angle
- LL**
= Locking Lead (N/A with -RE)
N/A in single row 1 or 2 positions. Available on tails from (2,29) .090" to (10,16) .400" only
- LA** = -RA Option with -LL Option (Maximum "C" = (13,46) .530)

POLARIZED OPTION

- "XXX"**
= Polarized (Specify "XXX" as position number)

Two leads per strip crimped in opposite directions on or near centerline. See TSW for availability.

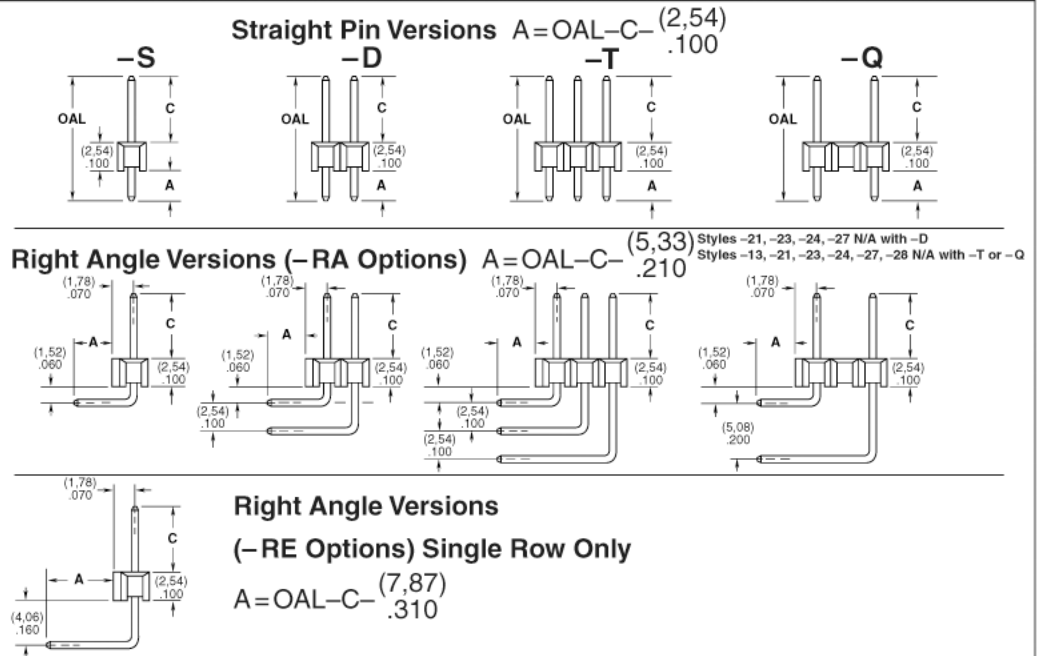


- "XXXX" = "C" Dimension (Specify post height in INCHES - .005" (0,13mm) increments)

FOR A = (2,29) .090

LEAD STYLE	OAL	C MAXIMUM STRAIGHT	C MAXIMUM w/RA	C MAXIMUM w/RE
-06	(7,62) .300	(2,79) .110	N/A	N/A
-07	(10,92) .430	(6,10) .240	(3,30) .130	N/A
-08	(13,46) .530	(8,64) .340	(5,84) .230	(3,30) .130
-09	(18,54) .730	(13,72) .540	(10,92) .430	(8,38) .330
-10	(21,08) .830	(16,26) .640	(13,46) .530	(10,92) .430
-11	(23,62) .930	(18,80) .740	(16,00) .630	(13,46) .530
-12	(26,16) 1.030	(21,34) .840	(18,54) .730	(16,00) .630
*-13	(31,24) 1.230	(26,42) 1.040	(23,62) .930	(21,08) .830
*-21	(36,32) 1.430	(31,50) 1.240	(28,70) 1.130	(26,16) 1.030
-22	(16,00) .630	(11,18) .440	(8,38) .330	(5,84) .230
*-23	(11,30) .445	(6,48) .255	(3,68) .145	N/A
*-24	(12,19) .480	(7,37) .290	(4,57) .180	N/A
*-27	(33,78) 1.330	(28,96) 1.140	(26,16) 1.030	(23,62) .930
*-28	(28,70) 1.130	(23,88) .940	(21,08) .830	(18,54) .730

* Styles -21, -23, -24, -27 not available with -D Right Angle
 Styles -13, -21, -23, -24, -27, -28 not available with -T or -Q Right Angle



Due to technical progress, all designs, specifications and components are subject to change without notice.

WWW.SAMTEC.COM