

**SPECIFICATIONS**

**Mechanical**

Contact Retention Force: 2.0kg min.

**Electrical**

Voltage Rating: 250V

Current Rating: 2.0A

Contact Resistance: 20mW max.

Dielectric Withstanding Voltage: 750V AC

Insulation Resistance: 1000MW

**Physical**

Housing: Thermoplastic, UL 94V-0 rated in Nature Color

Contact: Brass

Plating: See "ORDERING INFORMATION"

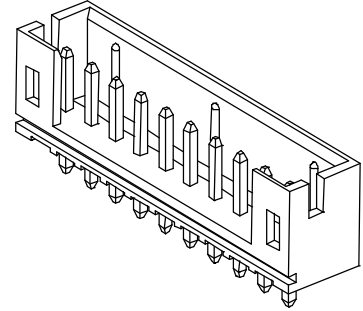
Operating Temperature: -40 to +105

**Wire-to-Board Header**

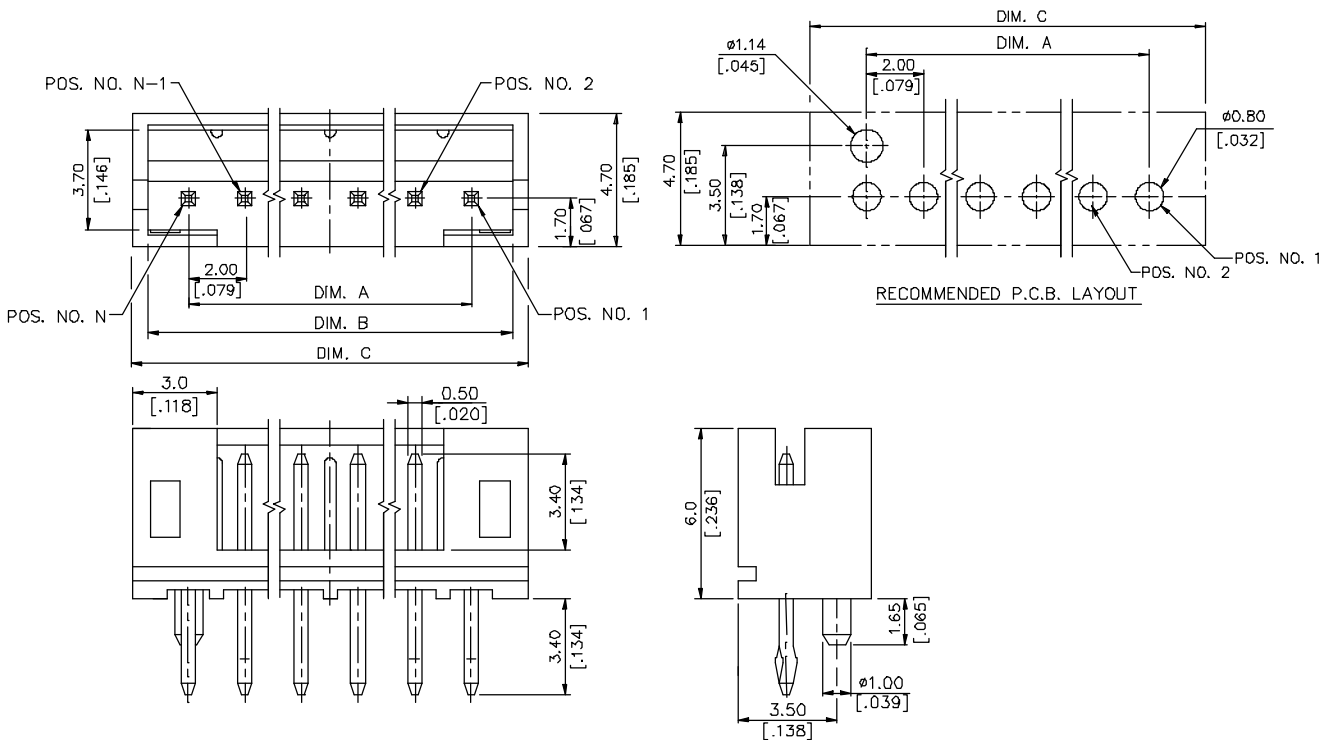
**HF55 Series**

**Vertical, T/H Type**

**2.00mm [.079"] Pitch**

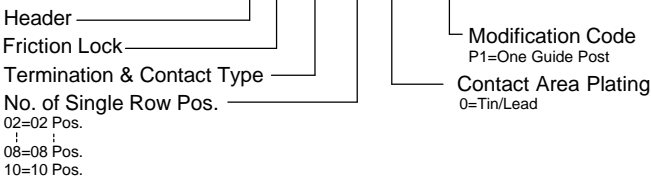


**DRAWING**



**ORDERING INFORMATION**

PRODUCT NO.: **H F 55 \*\* 0 - P1**



HF55100-P1	10	18.00 [.709]	21.0 [.827]	22.00 [.866]
HF55080-P1	8	14.00 [.551]	17.0 [.699]	18.00 [.709]
HF55070-P1	7	12.00 [.472]	15.0 [.591]	16.00 [.630]
HF55060-P1	6	10.00 [.394]	13.0 [.512]	14.00 [.551]
HF55050-P1	5	8.00 [.315]	11.0 [.433]	12.00 [.472]
HF55040-P1	4	6.00 [.236]	9.0 [.354]	10.00 [.394]
HF55030-P1	3	4.00 [.157]	7.0 [.276]	8.00 [.315]
HF55020-P1	2	2.00 [.079]	5.0 [.197]	6.00 [.236]
P/N	POS.	DIM. A	DIM. B	DIM. C