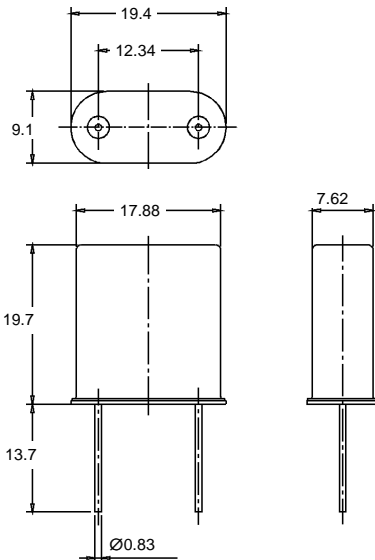


Quartz Crystal Units AT-Cut, 0.8 - 300 MHz



DIN 45110: K6B
 IEC 122-3: DZ
 NFC-93-601: n^o 2A
 MIL-H-10056: HC-51/U
 Welded metal enclosure
 (inert atmosphere)
 with wire leads

All dimensions in mm (max)

HC-51/U			Temperature Stability in the Temperature Range						Nom. Temp. ± 5°C ¹⁾
			-55°C...+105°C		-20°C...+70°C				
Overtone	Frequency [MHz]	Type	± 50ppm	± 25ppm	± 20ppm	± 10ppm	± 7ppm	± 5ppm	± 2ppm
1.OT	0.8...3.0	XS 17xx	01	02	03	04	06	-----	05
	3.0...8.0	XS 18xx	01	02	03	04	06	07	05
	8.0...30	XS 19xx	01	02	03	04	06	07	05
3.OT	15...90	XS 20xx	01	02	03	04	06	07	05
5.OT	50...160	XS 21xx	01	02	03	04	06	07	05
7.OT	110...210	XS 21xxx	01A	02A	03A	04A	06A	07A	05A
9.OT	150...300	XS 21xxx	01B	02B	03B	04	06B	07B	05B

Calibration tolerance: ± 10 ppm

¹⁾Nom. Temp. = Nominal temperature for oven application to be given with the order.

Motional Resistance R1

Overtone	Frequency [MHz]	R1max [Ω]
1. OT	0.8...1.5	800
1. OT	1.5...2.0	500
1. OT	2.0...3.0	200
1. OT	3.0...5.0	80
1. OT	5.0...8.0	40
1. OT	8.0...15	30
1. OT	15...30	20
3. OT	15...90	40
5. OT	40...150	60
7. OT	100...210	100
9. OT	150...300	180

Standard resonance for fundamental crystals: load resonance with $C_L = 30 \pm 0.5\text{pF}$
 Overtone crystals: series mode
 Shunt capacitance: $C_0 = 7\text{pF max}$

Crystal units with different tolerances or additional data upon request.

Modifications:

HC-51/U-S; 0.8 - 1, 5MHz: 6-point mounting for exposure to extreme accelerations (shock and vibration).



VECTRON
 INTERNATIONAL
 A DOVER TECHNOLOGIES COMPANY

166 Glover Avenue
 Norwalk, CT 06856

Tel: 1-88-VECTRON-1
 Fax: 1-88-FAX-VECTRON
 www.vectron.com