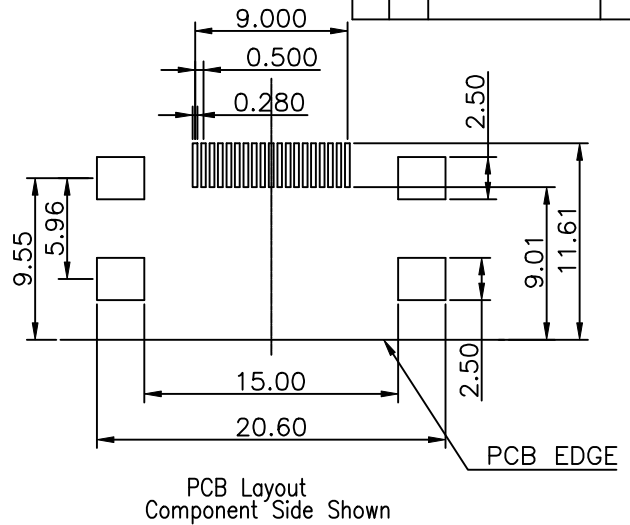


REVISION RECORD				
REV	ECO	DESCRIPTION	DRFT	CHKD



PCB Layout
Component Side Shown

NOTES:

ELECTRICAL

1. VOLTAGE RATING : 30 VDC RMS
2. CURRENT RATING : 0.5AMP MAX PER CONTACT
3. CONTACT RESISTANCE : 30 MILLIOHMS MAX.
4. INSULATION RESISTANCE : 1000 MEGOHMS MIN @ 500 VCD
5. WITHSTANDING VOLTAGE : 500 VAC RMS 60Hz , 1MIN
6. OPERATING : 10000 CYCLES MIN

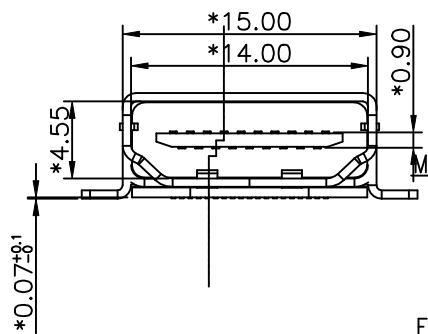
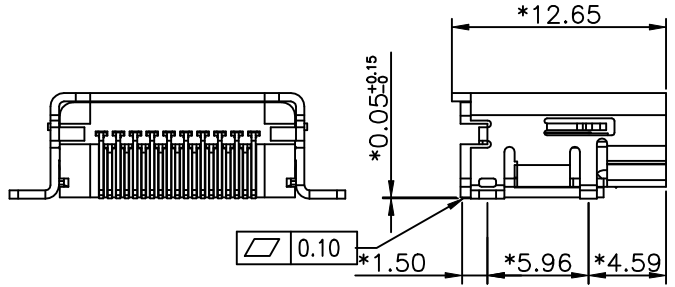
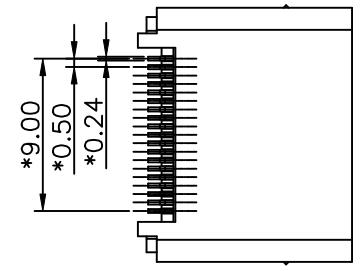
MECHANICAL :

1. HOUSING MATERIAL : NYLON+25%G.F.(SPS)
2. CONTACT MATERIAL : PHOSPHOR BRONZE 0.20mm THICKNESS
3. PLATING : GOLD PLATING OVER NICKEL
4. SHIELD MATERIAL : COPPER ALLOY C5191H 0.50mm THICKNESS
5. PLATING : 50u" NICKLE

ENVIRONMENTAL:

1. STORAGE : -40°C TO +85°C
2. OPERATION : -40°C TO +85°C
3. PART NUMBER : E810K-SBY10X-L

└─1-3u" 2-6u"
4-30u" 5-50u"



DETACHED LISTS	← MM → (INCH)		DFTO sgimty	DATE 09/16/04
	TOLERANCES EXCEPT AS NOTED		CHKDYICAN	DATE2005/9/21
			MFO	DATE
	MM	±	APPVLLUSHENG	DATE2005/09/21
	.0 ±0.20	±		
.00 ±0.15	±			
.000 ±0.075	±			
ANGLES ±		QT'Y :		
THIRD ANGLE PROJECTION		FINISH :		
		SCALE :		

FULL RISE ELECTRONIC CO., LTD		
TITLE HDMI CONNECTOR(SMT TYPE)		
DRAWING NO. GE813028-LA		SIZE
/PART NO. SEE NOTE		A3
DO NOT SCALE DRAWING		REV 0
SHEET X		OF Y