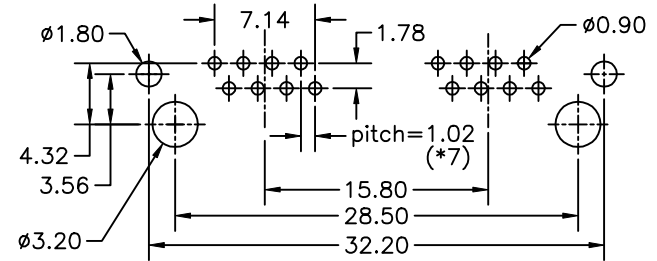
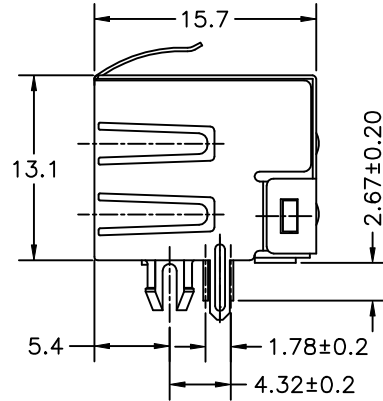
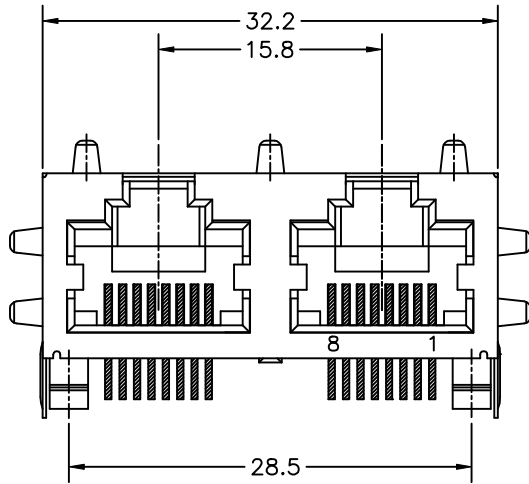


REVISION RECORD				
REV	ECO	DESCRIPTION	DRFT	CHKD



PC Board Layout
Component Side Shown
PCB t = 1.60mm

NOTES:
ELECTRICAL:

- VOLTAGE RATING : 125 VAC RMS.
- CURRENT RATING : 1.5 AMP.
- CONTACT RESISTANCE : 30 MILLIOHMS MAX.
- INSULATION RESISTANCE: 1000 MEGOHMS MIN @ 500 VDC.
- DIELECTRIC STRENGTH : 1000 VAC RMS 60Hz, 1MIN.
- OPERATING: 750 CYCLES MIN.

MECHANICAL:

- HOUSING MATERIAL : FR52 UL94V-0.COLOR-BLACK.
- INSERT MATERIAL : FR52 UL94V-0.COLOR-BLACK.
- BACK PLATE MATERIAL : FR52 COLOR-BLACK.
- SHIELD MATERIAL : COPPER ALLOY 0.25mm THICKNESS PLATING NI.
- CONTACT MATERIAL : PHOSPHOR BRONZE 0.35mm THICKNESS OR $\phi 0.46$ mm.
- PLATING : GOLD PLATING OVER NICKEL.
- PCB RETENTION PRE-SOLDER : 1 LB MIN.
- PCB RETENTION POST-SOLDER: 10 LBS MIN.

ENVIRONMENTAL:

- STORAGE : -40°C TO +85°C.
- OPERATION: 0°C TO 70°C.
- WAVE SOLDERING TEMPERATURE: 255~265°C(5~10 SECONDS)

MATES WITH MODULAR PLUG CONFORMING TO
FCC PART 68, SUBPART F.
CUL FILE NO. E163191

PART NUMBER: E5J88- 6 X A J X X-L

- 1-NO TAB
- 2-TOP TABS.
- 3-SIDE TABS.
- 4-TOP TABS & SIDE TABS.
- J-W/O LOGO FR52

PLATING: 1-3u" 2-6u"
3-15u" 4-30u" 5-50u"
A-TIN SHIELD STAMPED PIN.
B-NI SHIELD STAMPED PIN.
E-TIN SHIELD ROUND PIN.
F-NI SHIELD ROUND PIN ($\phi 0.46$).

DETACHED LISTS	MM (INCH)		DFTO YANGLAN DATE 06/18/05'	FULL RISE ELECTRONIC CO., LTD		
	TOLERANCES EXCEPT AS NOTED		CHKDJAKE DATE 2005/06/20			
	MM	±	MFO DATE	TITLE		
	.0 ± 0.20	±	APPVLLUSHENG DATE 2005/06/21			
.00 ± 0.15	±	MATERIAL :	RJ45 W/O LED JACK 2 PORTS			
.000 ± 0.075	±	QTY :				
ANGLES ±	±	FINISH :	DRAWING NO. GE5J3A19-LA		SIZE A3	REV 0
THIRD ANGLE PROJECTION	SCALE :	DO NOT SCALE DRAWING	SHEET 1		OF 1	