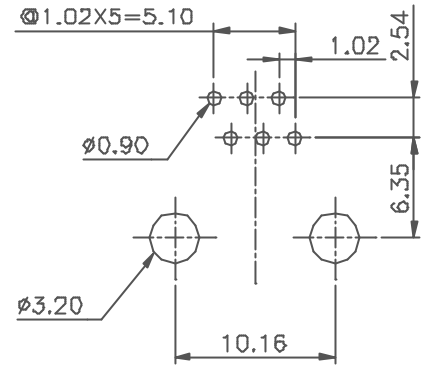
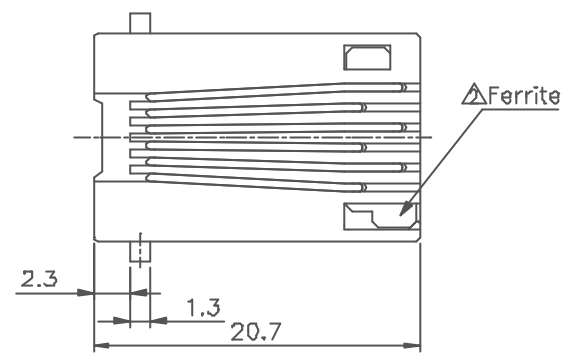
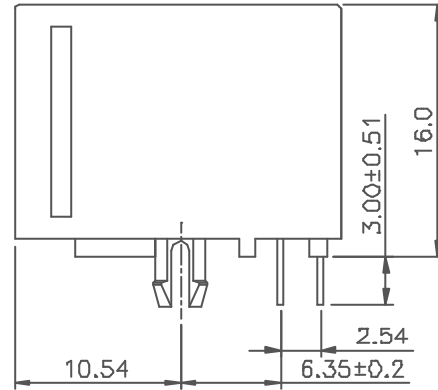
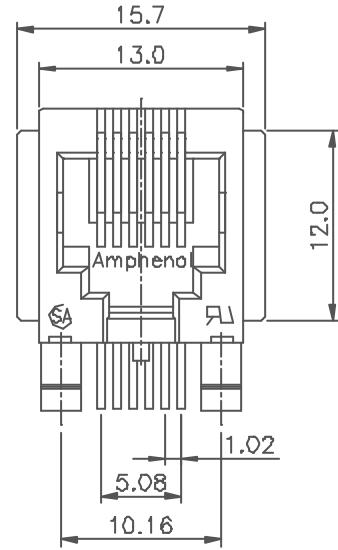


REVISION RECORD				
REV	ECO	DESCRIPTION	DRFT	CHKD
△		NOTE變更	4/7/98	
△		ADD Ferrite	4/11/98	



PC Board Layout  
Component Side Shown



**NOTES:**

**ELECTRICAL:**

- VOLTAGE RATING : 125 VAC RMS.
- CURRENT RATING : 1.5 AMP.
- CONTACT RESISTANCE : 35 MΩ MAX.
- INSULATION RESISTANCE: 500 MEGOHMS MIN @ 500 VDC.
- DIELECTRIC STRENGTH : 1000 VAC RMS 60HZ, 1MIN.

**MECHANICAL:**

- HOUSING MATERIAL : GLASS FILLED POLYESTER UL94V-0.
- CONTACT MATERIAL : PHOSPHOR BRONZE  $\phi 0.46$ mm.
- PLATING : GOLD PLATING OVER NICKEL.
- OPERATING LIFE : 250 CYCLES MIN.
- PCB RETENTION PRE-SOLDER : 1 LB MIN.
- PCB RETENTION POST-SOLDER: 10 LBS MIN.

**ENVIRONMENTAL:**

- STORAGE : -40°C TO +85°C.
- OPERATION: 0°C TO 70°C.

MATES WITH MODULAR PLUG CONFORMING TO  
FCC PART 68, SUBPART F.

CUL FILE NO. E163191

PART NUMBER: E576X-0003RX

- 2-2C
- 4-4C
- 6-6C
- 1-3u"
- 3-15u"
- 5-50u"
- 2-6u"
- 4-30u"
- 6-Pd 20u"

DETACHED LISTS	DIM (INCH)		DFTO: BASS	DATE: 3/24/98
	TOLERANCES EXCEPT AS NOTED		CHKD:	DATE:
	.01 ± 0.2		MFO:	DATE:
	.005 ± 0.15		APPL:	DATE:
	.002 ± 0.075		MATERIAL:	
ANGLES ± 0.5		QTY:		
THIRD ANGLE PROJECTION		FINISH:		
		SCALE: 3:1		

FULL RISE ELECTRONIC CO., LTD

TITLE			
SIDE ENTRY PCB JACK			
DRAWING NO. 5-0047-1		SIZE	REV
/PART NO. SEE NOTE		A3	2
DID NOT SCALE DRAWING		SHEET	OF