

## SPECIFICATIONS

### Mechanical

**Contact Mating Force:** 5.10kg (11.25Lb) max. (Female)  
3.06kg (6.75Lb) max. (Male)

**Contact Unmating Force:** 0.32kg (0.70Lb) min. (Female)  
0.19kg (0.42 Lb) min. (Male)

**Durability:** 500 Cycles

### Electrical

**Current Rating:** 2A

**Contact Resistance:** 25mW (Female); 35mW (Male)

**Dielectric Withstanding Voltage:** 1000V AC/1min min.

**Insulation Resistance:** 5000MW min.

### Physical

**Housing:** Thermoplastic, UL 94V-0 rated

**Contact:** Copper alloy

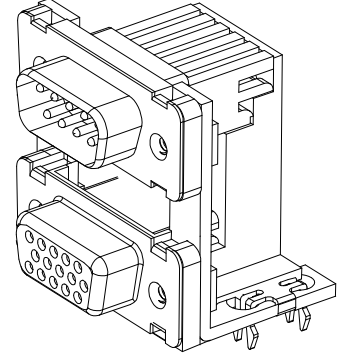
**Plating:** See "ORDERING INFORMATION"

**Operating Temperature:** -55 to +105

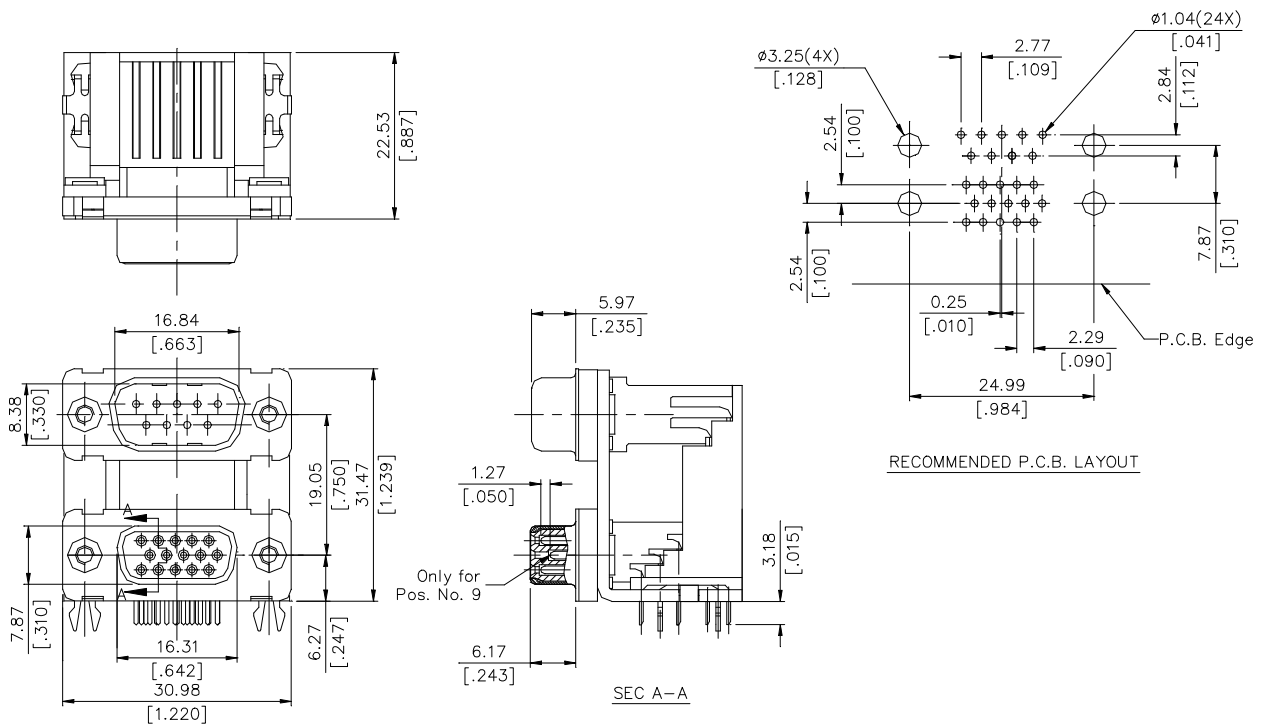
## D-SUB Connector

### DM Series

**Right Angle Type, T/H**  
**2.77mm [.109"] Pitch+**  
**2.29mm [.090"] Pitch**  
**9 Pos. (Male) +**  
**15 Pos. (Female)**



## DRAWING



## ORDERING INFORMATION

**PRODUCT NO.:** DM 1 0 1 9 \* - H561 - 4F

