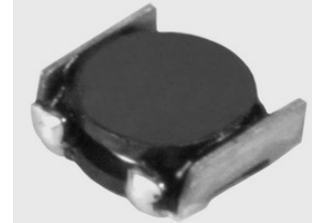
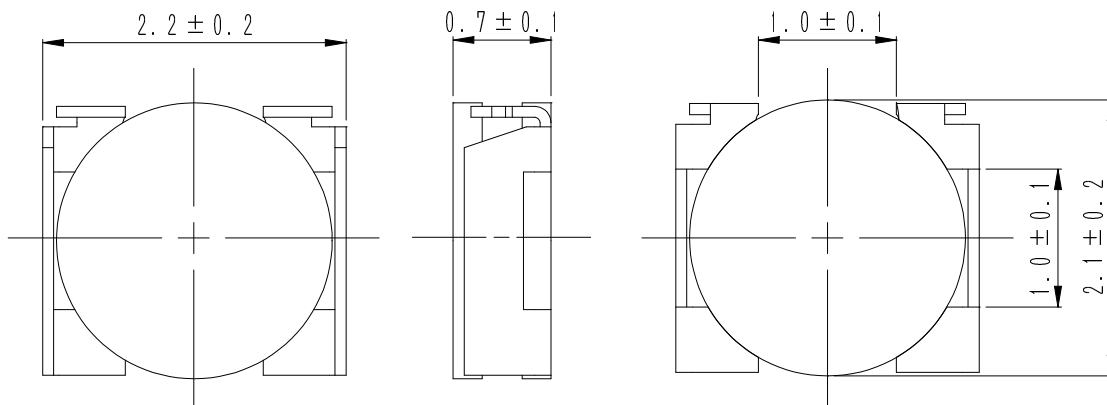
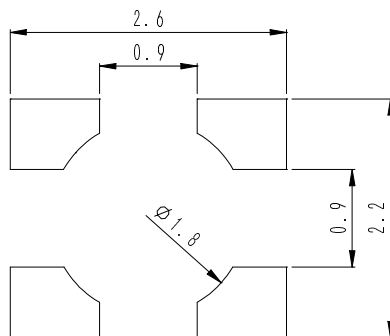
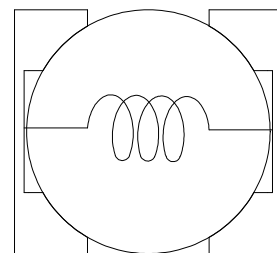


Type: CDH20D07
◆ Product Description

- 2.4×2.3mm Max.(L×W),0.8mm Max. Height.
- Inductance range: 0.68~6.8 μ H.
- Rated current range: 0.33~1.0A.
- In addition to the standard versions of inductors shown here, custom inductors are available to meet your exact requirements.


◆ Feature

- Magnetically unshielded construction.
- Storage temperature range: -40°C ~+105°C.
- Operating temperature range: -40°C ~+105°C (Including coil's self temperature rise).
- Ideally used in Mobile phone,PDA,MP3,DSC/DVC,Portable DVD etc as DC-DC converter inductors.
- Product weight: 0.015g(Ref.)
- RoHS compliance.

◆ Dimensions (mm)

◆ Land Pattern (mm)

◆ Schematics (Bottom)


Type: CDH20D07
◆ Specification

Part Name ※	Stamp	Inductance (μ H) 100kHz/1V	D.C.R.(m Ω) (at 20°C)	Saturation Current (A) ※1	Temperature Rise Current (A) ※2
CDH20D07NP-R68M□	C	0.68±20%	94±25%	1.00	1.06
CDH20D07NP-1R0M□	D	1.0±20%	124±20%	0.80	0.95
CDH20D07NP-1R3M□	E	1.3±20%	142±20%	0.70	0.85
CDH20D07NP-1R5M□	F	1.5±20%	157±20%	0.65	0.83
CDH20D07NP-1R8M□	G	1.8±20%	173±20%	0.60	0.81
CDH20D07NP-2R2M□	H	2.2±20%	185±20%	0.55	0.71
CDH20D07NP-2R7M□	J	2.7±20%	247±20%	0.50	0.61
CDH20D07NP-3R3M□	K	3.3±20%	288±20%	0.45	0.58
CDH20D07NP-3R6M□	L	3.6±20%	308±20%	0.42	0.55
CDH20D07NP-4R7M□	M	4.7±20%	402±20%	0.37	0.47
CDH20D07NP-5R6M□	N	5.6±20%	461±20%	0.34	0.42
CDH20D07NP-6R8M□	P	6.8±20%	522±20%	0.33	0.40

※ Description of part name

CDH20D07NP-R68M□

- B: Box
- C: Carrier Tape

※1.Saturation current: The DC current at which the inductance decreases to 70% of its nominal value.

 ※2.Temperature rise current: The DC current at which the temperature rise is $\Delta t=40^{\circ}\text{C}$ ($T_a=20^{\circ}\text{C}$).