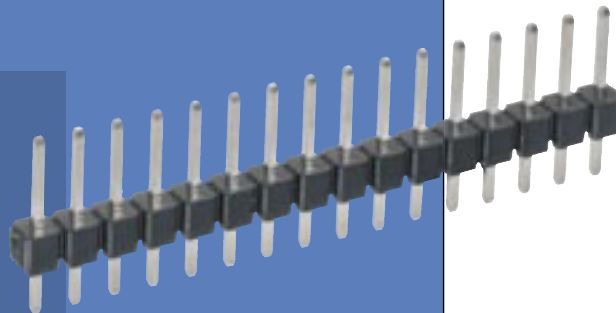


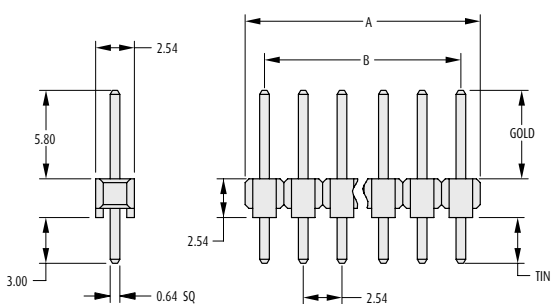
# M20 Connectors

## Vertical PC Tail Male Connectors – Single Row

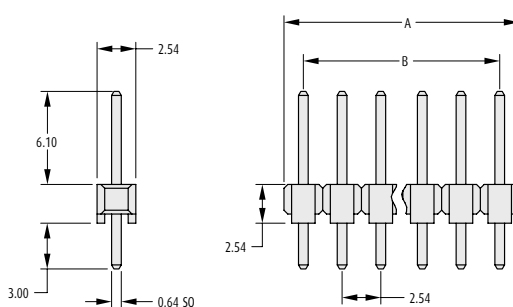
- ❖ Suitable for use with female connectors shown on pages 43 to 49.
- ❖ Choice of mating pin lengths or specify your own pin headers (see page 57).
- ❖ Un-shrouded pin headers can be cut to smaller sizes.



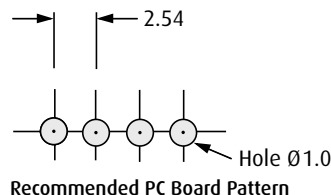
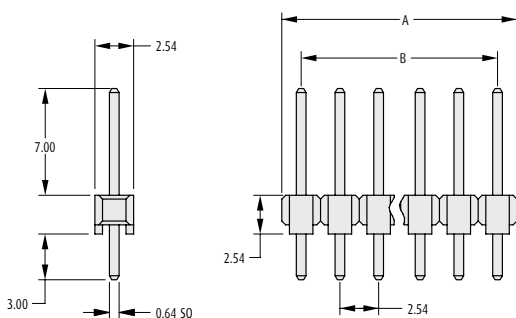
### 5.8mm



### 6.1mm



### 7.0mm



#### CALCULATION

<b>A</b>	2.54 x No. of ways per row
<b>B</b>	2.54 x (No. of ways per row - 1)

### HOW TO ORDER

**M20 - 9 XX XX XX**

#### SERIES CODE

#### SIZE

<b>73</b>	7.0mm Mating Height
<b>77</b>	5.8mm Mating Height
<b>99</b>	6.1mm Mating Height

#### NO. OF WAYS PER ROW

**02 to 40**

#### FINISH

<b>05</b>	Gold (M20-973, 999)
<b>06</b>	Tin/Lead
<b>22</b>	Gold + Tin/Lead (M20-977)
<b>42</b>	Gold + Tin (M20-977)
<b>45</b>	Gold, Hi-Temp Mould (M20-973, 999)
<b>46</b>	Tin

www.harwin.com

