

High Temperature Jumper

24 AWG Solid, FEP

95 Series



- Can be mass terminated to broad line of IDC connectors
- Provides reduced crosstalk in balanced drive applications
- 28 AWG stranded wire provides flexibility and extended product life
- 10 color repeat

Date Issued: June 23, 1999

TS-0864-02
Sheet 1 of 2

226

Physical

Insulation

Material: Fluorinated Ethylene Propylene (FEP)

Color: Opaque White

Marking

Standard: None

Conductors: 24 AWG Solid [0.511mm] Silver Plated Copper

Electrical

Voltage Rating: USA: 300V

Environmental

Temperature Rating: -55° C to +200° C

UL File No.: E42769, Style No.: 20424

3M Electronic Products Division

6801 River Place Blvd.
Austin, TX 78726-9000

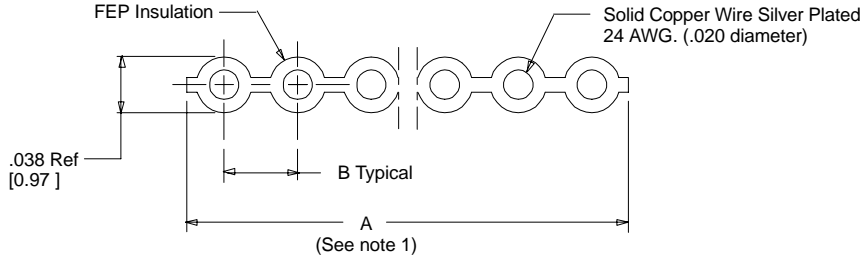
For technical, sales or ordering information call
800-225-5373

High Temperature Jumper

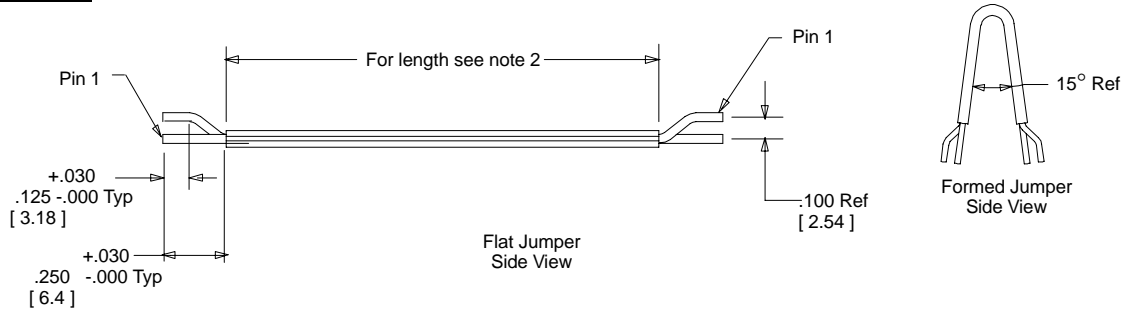
24 AWG Solid, FEP

95 Series

Dimension A Outside Edge	Dimension B ±.003	Conductors Count
See Note 1	.05 [1.3]	10 thru 65
	.10 [2.5]	10 thru 32
	.15 [3.8]	10 thru 21



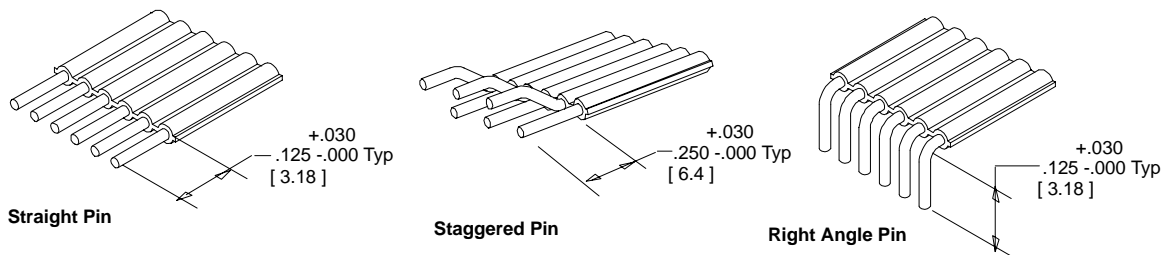
Jumper Shape



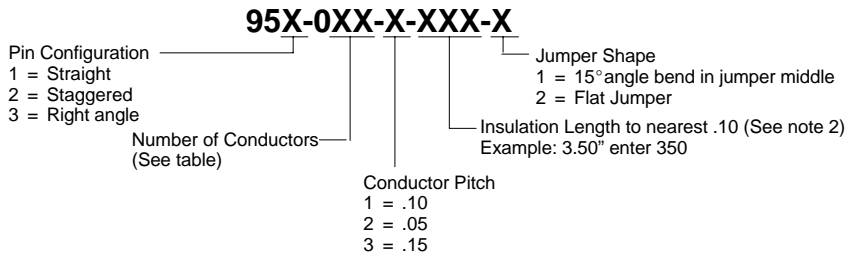
Notes:

1. Multiply number of conductors x pitch (dimension B).
2. Minimum jumper length .50 ± .05 [12.7] maximum jumper lengths 4.00 ± .05 [101.6] length is measured from the ends of the insulation.

Pin Configuration



Ordering Information



Inch [mm]		
Tolerance Unless Noted		
	.0	.00
	.000	
Inch	± .1	± .01 ± .005

[] Dimensions for Reference only

Note: Quantity per box 100. Non-standard strip length .10" min/.50" max available.

TS-0864-02
Sheet 2 of 2

3M Electronic Products Division

6801 River Place Blvd.
Austin, TX 78726-9000

For technical, sales or ordering information call
800-225-5373