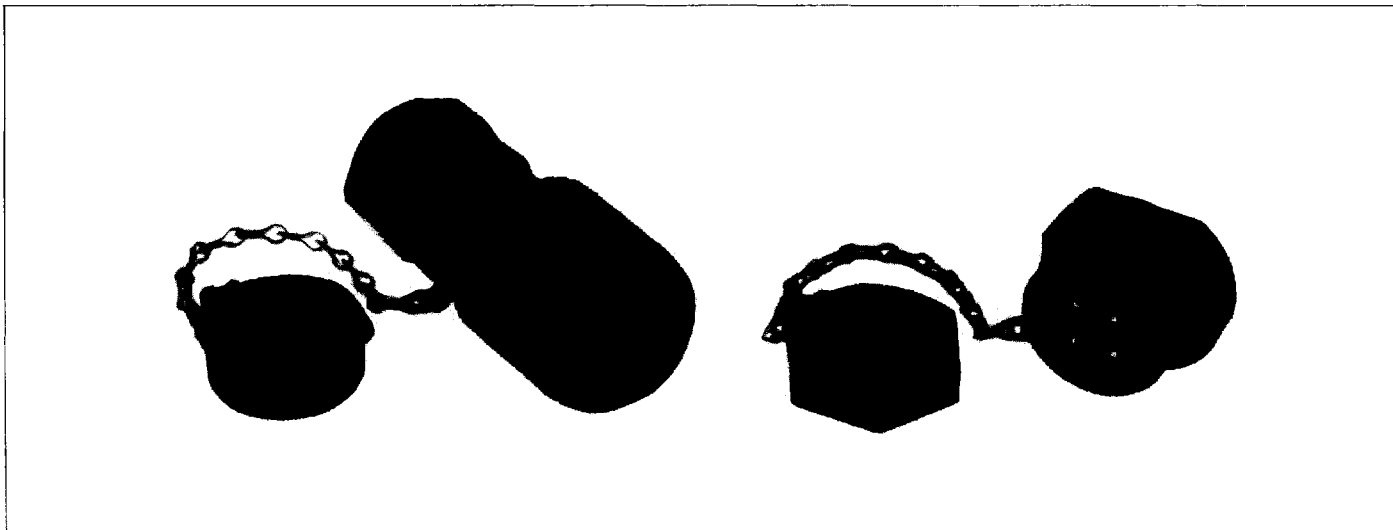


89J Series



Water-Proof Type

Intermateable with DMS and CE02 series



SUMMARY

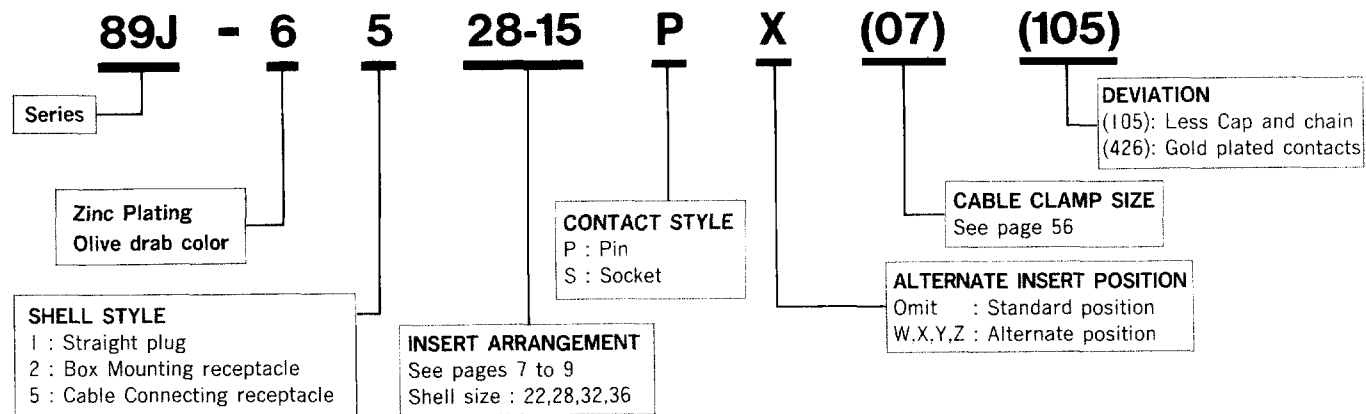
The 89J series is designed and manufactured to perform in outdoor and underwater use. There is no functional deterioration under rain, snow, and submerged conditions. These products are suitable for a wide range of applications including field communications, broadcasting, marine equipment, and machine tools.

Connector design features sealing gaskets to withstand water submersion to 1.8 meter. The 89J series is intermateable with DMS, CE02 and MIL-C-5015 connectors.

Material/Finish

ShellAluminum alloy/Zinc plating, Olive drab chromate finish
InnulatorDiallyl phthalate resin/Blue
Contact.....Copper alloy/Silver plating or Gold plating

Ordering Information



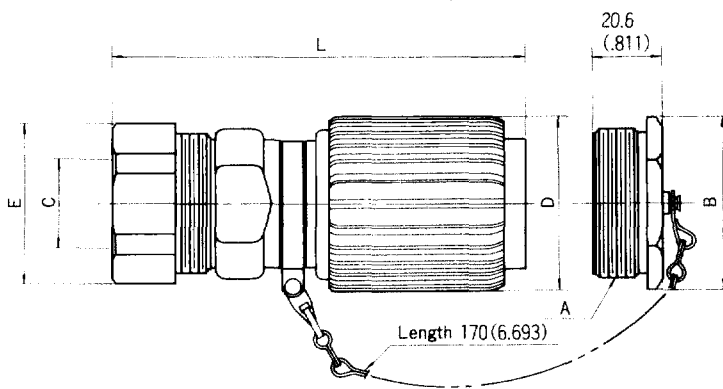
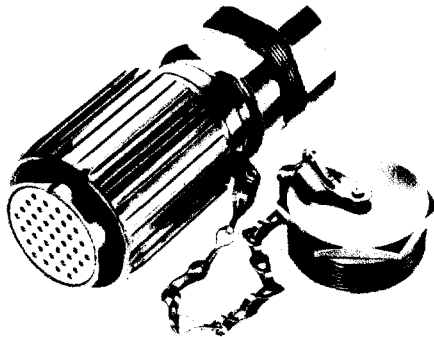
89J Series



Unit : mm (inch)

89J-61xx

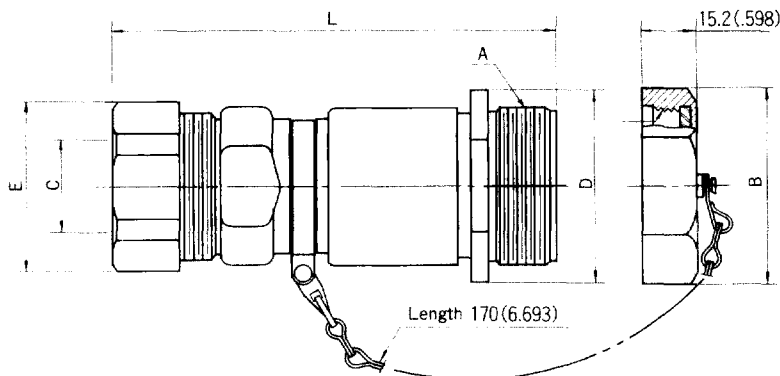
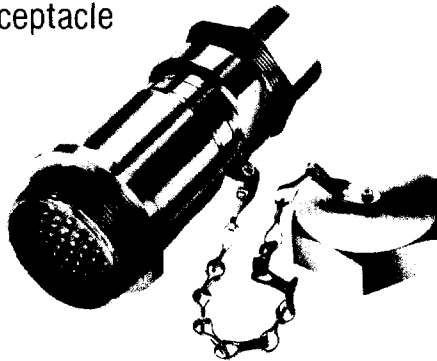
Straight Plug



Shell Size	Threads A	B	D	E	L
22	1 ³ / ₈ -18UNEF	39.1 (1.539)	42 (1.654)	38 (1.496)	120 (4.724)
28	1 ³ / ₄ -18UNS	50.1 (1.972)	51.6 (2.031)	47.6 (1.874)	120 (4.724)
32	2-18UNS	57.4 (2.260)	59.5 (2.343)	55.6 (2.189)	128 (5.039)
36	2 ¹ / ₄ -16UN	68 (2.677)	67 (2.638)	55.6 (2.189)	128 (5.039)

89J-65xx

Cable Connecting Receptacle



Shell Size	Threads A	B	D	E	L
22	1 ³ / ₈ -18UNEF	42.8 (1.685)	44.5 (1.752)	38 (1.496)	120 (4.724)
28	1 ³ / ₄ -18UNS	53.7 (2.114)	54 (2.126)	47.6 (1.874)	120 (4.724)
32	2-18UNS	61.1 (2.406)	60.3 (2.374)	55.6 (2.189)	125 (4.921)
36	2 ¹ / ₄ -16UN	72.7 (2.862)	69 (2.717)	55.6 (2.189)	125 (4.921)

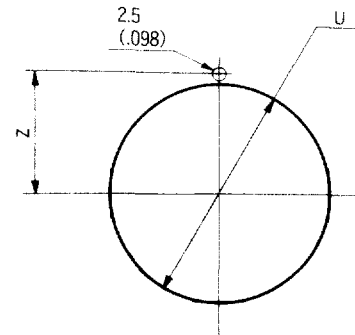
89J Series



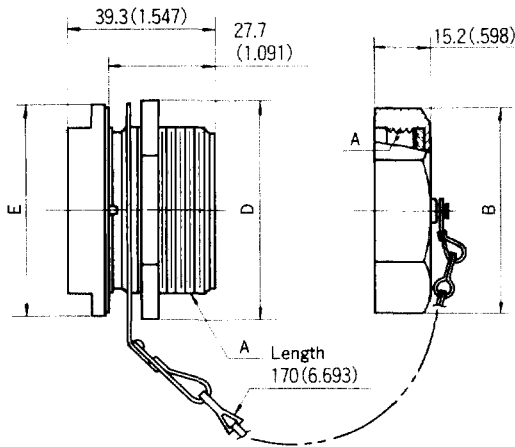
89J-62xx

Unit : mm(inch)

Box Mounting Receptacle



Panel Cutout
Thickness t = 1.5—5.5 (.059—.217)



Shell Size	Threads A	B	D	E	U	Z
22	1 $\frac{3}{8}$ -18UNEF	42.8 (1.685)	46.5 (1.831)	47.6 (1.874)	35.2 (1.386)	20.2 (.795)
28	1 $\frac{3}{4}$ -18UNS	53.7 (2.114)	57.4 (2.260)	57.2 (2.252)	45 (1.772)	25 (.984)
32	2-18UNS	61.1 (2.406)	63.1 (2.484)	63.5 (2.500)	51.1 (2.012)	28.2 (1.110)
36	2 $\frac{1}{4}$ -16UN	72.7 (2.862)	72.7 (2.862)	70 (2.756)	57.2 (2.252)	31.3 (1.232)

Cable Clamp

Cable Clamp Size	C	Cable Outer Diameter	Shell Size			
			22	28	32	36
04	6.35 (.250)	4.8—6.35 (.189—250)	●	●	●	●
05	9.5 (.374)	6.4—7.9 (.252—311)	●	●	●	●
06	9.5 (.374)	8.0—9.5 (.315—374)	●	●	●	●
07	12.7 (.500)	9.6—11.1 (.378—437)	●	●	●	●
08	12.7 (.500)	11.2—12.7 (.441—500)	●	●	●	●
09	15.9 (.626)	12.8—14.3 (.504—563)	●	●	●	●
10	15.9 (.626)	14.4—15.9 (.567—626)	●	●	●	●
11	19.1 (.752)	16.0—17.5 (.630—689)	●	●	●	●
12	19.1 (.752)	17.6—19.1 (.693—752)	●	●	●	●
13	22.2 (.874)	19.2—20.6 (.756—811)		●	●	●

Cable Clamp Size	C	Cable Outer Diameter	Shell Size			
			22	28	32	36
14	22.2 (.874)	20.7—22.2 (.815—.874)		●	●	●
15	25.4 (1.000)	22.3—23.8 (.878—.937)		●	●	●
16	25.4 (1.000)	23.9—25.4 (.941—1.000)		●	●	●
17	28.6 (1.126)	25.5—27.0 (1.004—1.063)		●	●	●
18	28.6 (1.126)	27.1—28.6 (1.067—1.126)		●	●	●
19	31.8 (1.252)	28.7—30.2 (1.130—1.189)			●	●
20	31.8 (1.252)	30.3—31.8 (1.193—1.252)			●	●
21	34.9 (1.374)	31.9—33.3 (1.256—1.311)			●	●
22	34.9 (1.374)	33.4—34.9 (1.315—1.374)			●	●