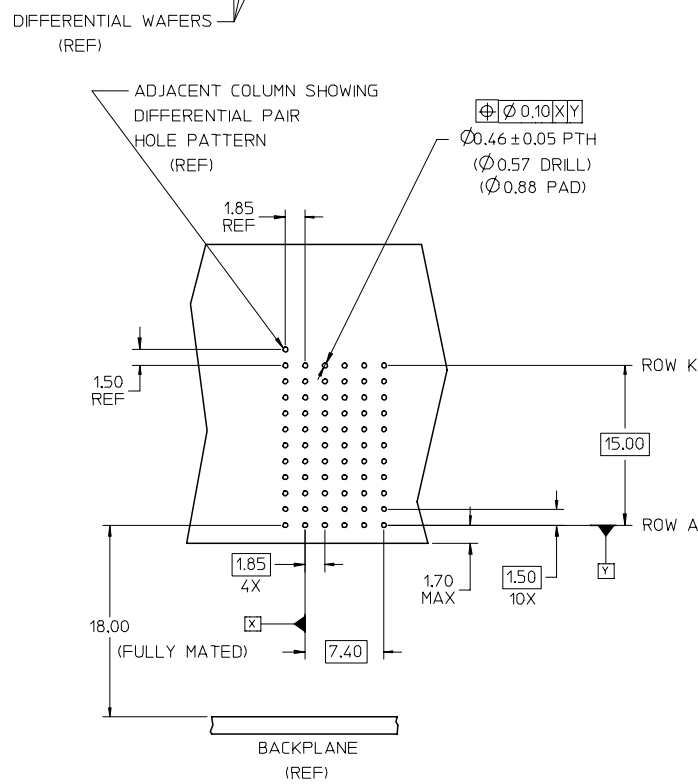
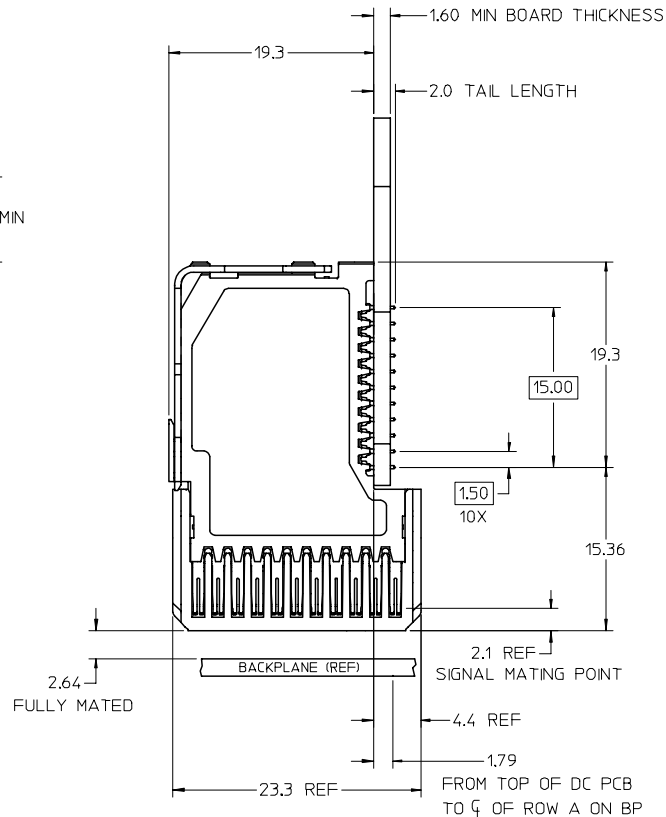
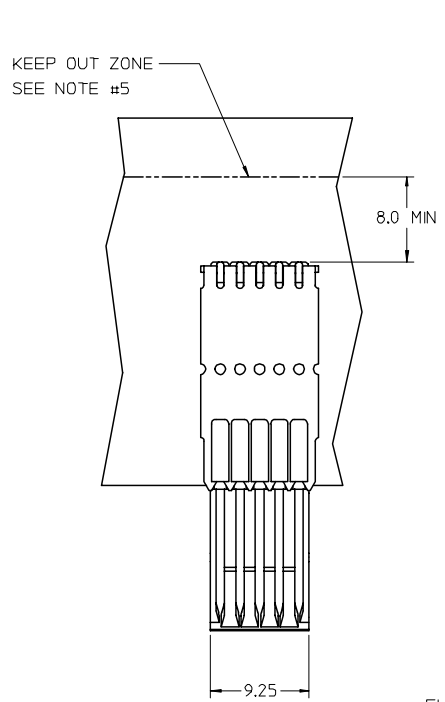
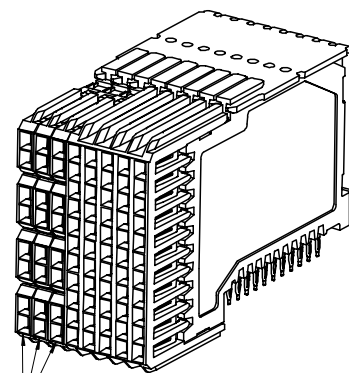


NOTES: (UNLESS OTHERWISE SPECIFIED)

- MATERIALS: FRONT HOUSING - LIQUID CRYSTAL POLYMER (LCP), GLASS-FILLED, UL94V-0
TERMINALS - HIGH PERFORMANCE COPPER ALLOY
- FINISH: SELECTIVE GOLD (Au) IN CONTACT AREA,
SELECTIVE TIN/LEAD (Sn/Pb) OR TIN (Sn) ON PCB TAILS,
NICKEL (Ni) OVERALL.
- REFER TO MOLEX PRODUCT SPECIFICATION PS-75221-999 FOR PERFORMANCE SPECIFICATIONS.
- SIGNAL WAFERS ARE SUPPLIED ASSEMBLED IN THE FRONT HOUSING INSERTED ON A STAINLESS STEEL STIFFENER IN GROUPS OF 5.
- THE SPECIFIED KEEP-OUT ZONE IS REQUIRED FOR CONNECTOR REPAIRABILITY.
- ROWS A - K ARE SIGNAL ROWS.



MATERIAL NUMBER	MINIMUM GOLD PLATING	TAIL PLATING
75421-0005	0.00076MM (30µIN)	TIN / LEAD
75421-0035	0.00076MM (30µIN)	TIN

ADDED LF P/N FC NO: UCP2006-2351 2006/04/12	QUALITY SYMBOLS ▽=0 ▽=0																		
DRWN: JMYCZEK CHKD: 2006/04/12	GENERAL TOLERANCES (UNLESS SPECIFIED)																		
APPR: SREED REV: 2006/04/12	<table border="1"> <thead> <tr> <th></th> <th>mm</th> <th>INCH</th> </tr> </thead> <tbody> <tr> <td>4 PLACES</td> <td>± 0.10</td> <td>± 0.004</td> </tr> <tr> <td>3 PLACES</td> <td>± 0.15</td> <td>± 0.006</td> </tr> <tr> <td>2 PLACES</td> <td>± 0.25</td> <td>± 0.010</td> </tr> <tr> <td>1 PLACE</td> <td>± 0.50</td> <td>± 0.020</td> </tr> <tr> <td colspan="3">ANGULAR ±1/2°</td> </tr> </tbody> </table>		mm	INCH	4 PLACES	± 0.10	± 0.004	3 PLACES	± 0.15	± 0.006	2 PLACES	± 0.25	± 0.010	1 PLACE	± 0.50	± 0.020	ANGULAR ±1/2°		
	mm	INCH																	
4 PLACES	± 0.10	± 0.004																	
3 PLACES	± 0.15	± 0.006																	
2 PLACES	± 0.25	± 0.010																	
1 PLACE	± 0.50	± 0.020																	
ANGULAR ±1/2°																			

DESCRIPTION	DATE	TITLE
DRWN: JMYCZEK	2004/12/21	GBX L-SERIES DAUGHTERCARD WAFER MODULE - 55 CKT
CHKD:	2004/12/21	
APPR: SREED	2004/12/21	
REV:	2004/12/21	
DRAFT WHERE APPLICABLE MUST REMAIN WITHIN DIMENSIONS		

DESIGN UNITS	SCALE	THIRD ANGLE PROJECTION
METRIC	3:1	
MATERIAL NO. SD-75421-001		
DOCUMENT NO. SD-75421-001		
SHEET NO. 1 OF 1		

MATERIAL NO. SD-75421-001		DOCUMENT NO. SD-75421-001		SHEET NO. 1 OF 1	
THIS DRAWING CONTAINS INFORMATION THAT IS PROPRIETARY TO MOLEX INCORPORATED AND SHOULD NOT BE USED WITHOUT WRITTEN PERMISSION					