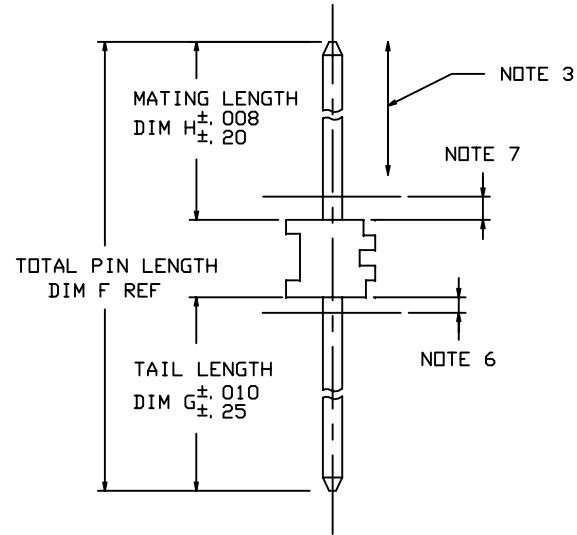
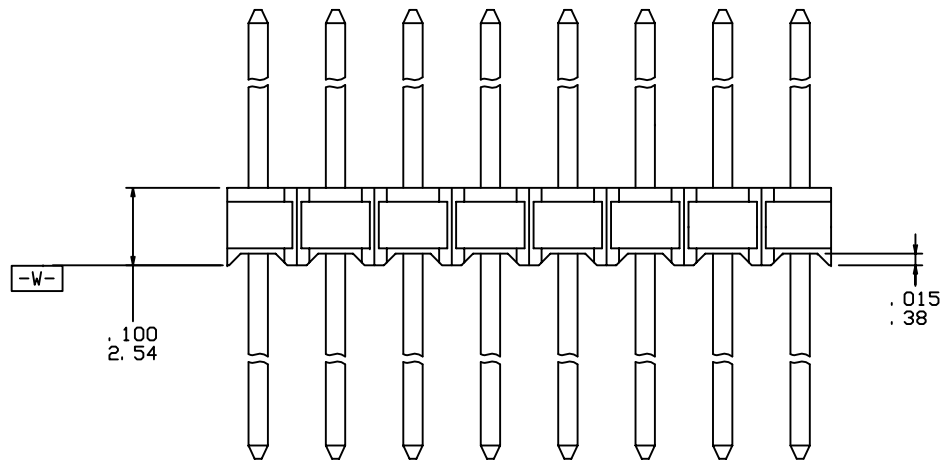
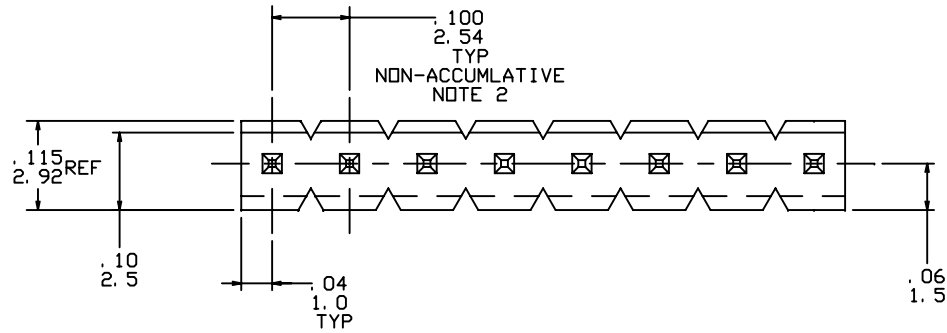


Tous droits strictement réservés. Reproduction ou communication à des tiers interdite sous quelque forme que ce soit sans autorisation écrite du propriétaire. Propriété de c FCI. Droits de reproduction FCI.

All rights strictly reserved. Reproduction or issue to third parties in any form whatever is not permitted without written authority from the proprietor. Property of FCI. Copyright FCI.



PRODUCT NUMBER
SEE TABLE



mat'l. code				tolerances unless otherwise specified				CUSTOMER COPY		FCI www.fciconnect.com	
ltr	ecr	no	dr	date	linear	.xx ±.01/, xx±.3		projection	title BERGSTIK I HEADER .100/2.54cc SR STRAIGHT		
BF	N06-0137	LONG	5/25/06			.xxx ±.005/, xx±.13					
					angles	.xxx ±.0020/, xxx±.051		INCH/MM	product family BERGSTIK size dwg no		
						0° ±2°					
					dr	BK CHUA	12/7/96	scale 5:1	A 65500		
					enr	JOYCE PEH	12/7/96				
					chr	JOYCE PEH	12/7/96				
					app	MK KAN	12/7/96	code NT			
sheet index	revision sheet	BF	BD	BD	BE			sheet 1 of 4			
		1	2	3	4						

PDM: Rev:BF

STATUS: Released

Printed: No 06, 2006

PRODUCT NUMBER
SEE TABLE

DASH NO.	PLATING REF	UNDER PLATING	PLASTIC COLOR
-1YY	30u"/.76u Au	50u"/1.27u Ni	Black
-2YY	15u"/.38u Au	50u"/1.27u Ni	Cream
-3YY	50u"/1.27u Au	50u"/1.27u Ni	Brown
-4YY	150u"/3.81u SnPb	-----	Black
-5YY	15u"/.76u Pd Alloy with Au Flash	50u"/1.27u Ni	Dk.Blue
-6YY	30u"/.76u Pd Alloy with Au Flash	50u"/1.27u Ni	Lt.Blue
-9YY	5u"/.13u Au	50u"/1.27u Ni	Black

OBSOLETE
OBSOLETE

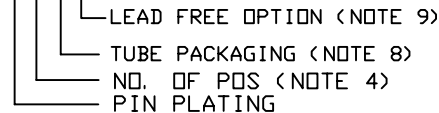
NOTES; 1. PIN MAT'L: 3/4 HARD PHOS-BRONZE.
MOLDING MAT'L: 20% MIN GLASS-FILLED NYLON.
RATED PER UL 94V-0

- ② MEASURED AT DATUM -W-. WITH PART IN A RESTRAINED CONDITION
- ③ 5 POUNDS/2.3 KILOGRAMS MINIMUM TERMINAL PUSH OUT FORCE IN EITHER DIRECTION
- ④ MIN NO. OF POSITIONS - 1
MAX NO. OF POSITIONS - 36
- ⑤ TWO SIDES OF LEAD-IN ON PINS NOT PLATED ,TYP BOTH ENDS
- ⑥ .020/.51 MAX FLASH AROUND PIN IN THIS AREA
- ⑦ .030/.76 MAX FLASH AROUND PIN IN THIS AREA
- ⑧ EIGHT DIGIT PART NUMBERS FOLLOWED BY A "T" ARE PACKAGED IN TUBES. ONLY P/N 65649-410T IS AVAILABLE FOR TUBE PACKAGING.

PART NUMBER INFO

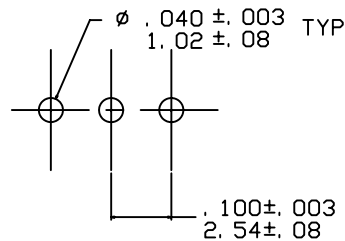
XXXXX-YYTLF

PRODUCT BASE NO.



EXAMPLE: -408 DENOTES AN 8 POS WITH 150u"/3.81u TIN PLATED PINS.
THE PLASTIC COLOR IS BLACK.

9. ADD 'LF' SUFFIX AT THE END OF PART NUMBER FOR LEAD FREE OPTION. THE ORIGINAL 'PLATE SnPb' CHANGE TO 'PLATE PURE MATTE TIN'. IF 'LF' P/N THE PRODUCT MEETS EUROPEAN UNION DIRECTIVES AND OTHER AND OTHER COUNTRY REGULATION AS DESCRIBED IN GS-22-008. THE HOUSING WILL WITHSTAND EXPOSURE TO 260° PEAK TEMPERATURE FOR 15 SECONDS IN A WAVE PROCESS.



RECOMMENDED HOLE PATTERN

mat'l. code		tolerances unless otherwise specified		CUSTOMER COPY		FCI www.fciconnect.com	
ltr	ecrn no	dr	date	.xx ± 01%, xx±.3	projection	title	
BD				linear .xxx ± .005/, xx±.13		BERGSTIK I HEADER	
				.xxx ± .0020/, xxx±.051		.100/2.54cc SR STRAIGHT	
				angles 0° ±2°		product family BERGSTIK	
				dr BK CHUA 12/7/96		code NT	
				engr JOYCE PEH 12/7/96	scale 5:1	size dwg no	
				chr JOYCE PEH 12/7/96		A 65500	
				appd MK KAN 12/7/96			sheet 2 of
sheet index	revision sheet						

Tous droits strictement reserves. Reproduction ou communication a des tiers interdite sous quelque forme que ce soit sans autorisation ecrite du propriétaire. Propriete de c FCI. Droits de reproduction FCI.



All rights strictly reserved. Reproduction or issue to third parties in any form whatever is not permitted without written authority from the proprietor. Property of FCI. Copyright FCI.

Tous droits strictement réservés. Reproduction ou communication à des tiers interdite sous quelque forme que ce soit sans autorisation écrite du propriétaire. Propriété de c FCI. Droits de reproduction FCI.

All rights strictly reserved. Reproduction or issue to third parties in any form whatever is not permitted without written authority from the proprietor. Property of FCI. Copyright FCI.



PRODUCT NUMBER	TOTAL PIN LENGTH		TAIL LENGTH		MATING LENGTH		DASH NUMBERS AVAILABLE						
	DIM F	DIM F	DIM G	DIM G	DIM H	DIM H	-1YY	-2YY	-3YY	-4YY	-5YY	-6YY	-9YY
	ENGLISH	METRIC	ENGLISH	METRIC	ENGLISH	METRIC							
65499-XY	0.568	14.43	0.150	3.81	0.318	8.08	X	X	X	X	X	X	X
65500-XY	0.425	10.80	0.095	2.41	0.230	5.84	X	X	X	X	X	X	
65501-XY	0.525	13.34	0.195	4.95	0.230	5.84	X	X	X	X	X	X	X
65502-XY	0.730	18.54	0.400	10.16	0.230	5.84	X	X	X	X	X	X	X
65503-XY	0.825	20.96	0.495	12.57	0.230	5.84	X	X	X	X	X	X	X
65504-XY	0.925	23.50	0.595	15.11	0.230	5.84	X	X	X	X	X	X	
65505-XY	1.025	26.04	0.695	17.65	0.230	5.84	X	X	X	X	X	X	
65506-XY	1.225	31.12	0.895	22.73	0.230	5.84	X	X	X	X	X	X	
65507-XY	0.450	11.43	0.120	3.05	0.230	5.84	X	X	X	X	X	X	X
65508-XY	0.480	12.19	0.150	3.81	0.230	5.84	X	X	X	X	X	X	
65509-XY	0.615	15.62	0.285	7.24	0.230	5.84	X	X	X	X	X	X	
65510-XY	0.965	24.51	0.635	16.13	0.230	5.84	X	X	X	X	X	X	
65511-XY	0.755	19.18	0.425	10.80	0.230	5.84	X	X	X	X	X	X	
65512-XY	1.095	27.81	0.765	19.43	0.230	5.84	X	X	X	X	X	X	
65513-XY	1.155	29.34	0.825	20.96	0.230	5.84	X	X	X	X	X	X	
65514-XY	0.555	14.10	0.225	5.72	0.230	5.84	X	X	X	X	X	X	X
65515-XY	0.600	15.24	0.120	3.05	0.380	9.65	X	X	X	X	X	X	
65516-XY	0.555	14.10	0.120	3.05	0.335	8.51	X	X	X	X	X	X	
65554-XY	0.803	20.40	0.095	2.41	0.608	15.44	X	X	X	X	X	X	
65557-XY	0.612	15.54	0.085	2.16	0.427	10.85	X	X	X	X	X	X	
65591-XY	0.708	17.98	0.290	7.37	0.318	8.08	X	X	X	X	X	X	
65593-XY	0.643	16.33	0.225	5.72	0.318	8.08	X	X	X	X	X	X	X
65629-XY	0.710	18.03	0.210	5.33	0.400	10.16	X	X	X	X	X	X	X
65632-XY	0.825	20.96	0.115	2.92	0.610	15.49	X	X	X	X	X	X	X
65633-XY	0.395	10.03	0.095	2.41	0.200	5.08	X	X	X	X	X	X	
65639-XY	0.633	16.08	0.215	5.46	0.318	8.08	X	X	X	X	X	X	
65645-XY	0.525	13.34	0.107	2.72	0.318	8.08	X	X	X	X	X	X	
65646-XY	0.615	15.62	0.115	2.92	0.400	10.16	X	X	X	X	X	X	
65647-XY	0.725	18.42	0.377	9.58	0.248	6.30	X	X	X	X	X	X	
65648-XY	0.925	23.50	0.128	3.25	0.697	17.70	X	X	X	X	X	X	
65649-XY	1.125	28.58	0.128	3.25	0.897	22.78	X	X	X	X	X	X	
65992-XY													
66069-XY	0.548	13.92	0.130	3.30	0.318	8.08	X	X	X	X	X	X	

NOTE 8

mat'l. code		tolerances unless otherwise specified		CUSTOMER COPY		FCI www.fciconnect.com	
ltr	ecr no	dr	date	linear	.xx ±.01/.xx±.3	projection	title
BD					.xxx ±.005/.xx±.13		BERGSTIK I HEADER
					.xxxx ±.0020/.xxx±.051		.100/2.54cc SR STRAIGHT
				angles	0° ±2°	INCH/MM	product family BERGSTIK
				dr	BK CHUA 12/7/96	scale	code
				enr	JOYCE PEH 12/7/96	5:1	NT
				chr	JOYCE PEH 12/7/96	A	sheet
				appd	MK KAN 12/7/96	65500	3 of
sheet index	revision sheet						

Tous droits strictement réservés. Reproduction ou communication a des tiers interdite sous quelque forme que ce soit sans autorisation écrite du propriétaire. Propriete de c FCI. Droits de reproduction FCI.



strictly reserved. Reproduction or issue to third parties in any form is not permitted without written authority from the proprietor. FCI. Copyright FCI.

PRODUCT NUMBER	TOTAL PIN LENGTH		TAIL LENGTH		MATING LENGTH		DASH NUMBERS AVAILABLE							
	DIM F	DIM F	DIM G	DIM G	DIM H	DIM H	-1YY	-2YY	-3YY	-4YY	-5YY	-6YY	-9YY	
	ENGLISH	METRIC	ENGLISH	METRIC	ENGLISH	METRIC								
66330-XY							DISCONTINUED							
66348-XY	0.835	21.21	0.417	10.59	0.318	8.08	X	X	X	X	X	X		
66412-XY	1.035	26.29	0.125	3.18	0.810	20.57	X	X	X	X	X	X		
66530-XY							DISCONTINUED							
66553-XY							DISCONTINUED							
66562-XY							DISCONTINUED							
66843-XY							DISCONTINUED							
66890-XY			DISCONTINUED - SUPERCEDED BY 65502-XY											
67221-XY							DISCONTINUED							
67278-XY	0.565	14.35	0.285	7.24	0.180	4.57	X	X	X	X	X	X		
67284-XY	1.166	29.62	0.533	13.54	0.533	13.54	X	X	X	X	X	X		
67355-XY	0.705	17.91	0.110	2.79	0.495	12.57	X	X	X	X	X	X		
67378-XY	0.972	24.69	0.436	11.07	0.436	11.07	X	X	X	X	X	X		
67379-XY							DISCONTINUED							
67472-XY	0.720	18.29	0.135	3.43	0.485	12.32	X	X	X	X	X	X		
67517-XY							DISCONTINUED							
67688-XY	0.745	18.92	0.100	2.54	0.545	13.84	X	X	X	X	X	X		
67745-XY							DISCONTINUED							
67939-XY							DISCONTINUED							
68426-XY							DISCONTINUED							
68455-XY	1.245	31.62	0.120	3.05	1.025	26.04	X	X	X	X	X	X		
69159-XY	0.580	14.73	0.085	2.16	0.395	10.03	X		X					
69178-XY	0.970	24.64	0.595	15.11	0.275	6.99				X				
69179-XY	1.170	29.72	0.795	20.19	0.275	6.99				X				
78217-XY	0.815	20.70	0.115	2.92	0.600	15.24				X				
78267-XY	0.920	23.37	0.115	2.92	0.705	17.91				X				
86640-XY	0.715	18.16	0.215	5.46	0.400	10.16	X	X	X	X	X	X		
89170-XY	0.538	13.67	0.120	3.05	0.318	8.08				X				
90373-XY	0.640	16.26	0.120	3.05	0.420	10.67				X				
90374-XY	0.530	13.46	0.115	2.92	0.315	8.00		X			X			

OBSOLETE OBSOLETE

mat'l. code				tolerances unless otherwise specified				CUSTOMER COPY		FCI www.fciconnect.com	
ltr	ecn no	dr	date	linear	. XX ±.01/. X±.3			projection	title		
BE					. XXX ±.005/. XX±.13				BERGSTIK I HEADER		
					. XXXX ±.0020/. XXX±.051				. 100/2. 54cc SR STRAIGHT		
				angles	0° ±2°			INCH/MM	product family BERGSTIK		code
				dr	BK CHUA	12/7/96	size		NT		
				engr	JDYCE PEH	12/7/96	dwg no				
				chr	JDYCE PEH	12/7/96	scale	STATUA		sheet	
				appd	MK KAN	12/7/96	5:1	Released		4 of	

PDM: Rev. B

Released 65500

Printed: Nov 06, 2006