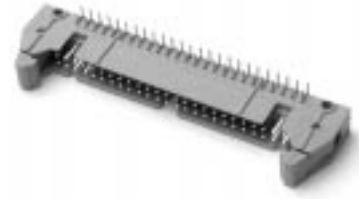


RIGHT ANGLE STANDARD HEADERS WITH AND WITHOUT RETAINER/EJECTOR LATCHES

.100" x .100" CENTERS



LR92984 E60980

PHYSICAL PROPERTIES

INSULATION MATERIAL: Glass filled thermoplastic rated UL 94V-0
 COLOR: Blue
 CONTACT MATERIAL: Phosphor bronze with 30µ inches min. gold over 50µ inches min. nickel plating

ELECTRICAL PROPERTIES

CURRENT RATING: 1 Amp
 INSULATION RESISTANCE: >1 x 10⁹ Ohms @500 VDC
 DIELECTRIC STRENGTH: >1000 VRMS @ sea level

ENVIRONMENTAL PROPERTIES

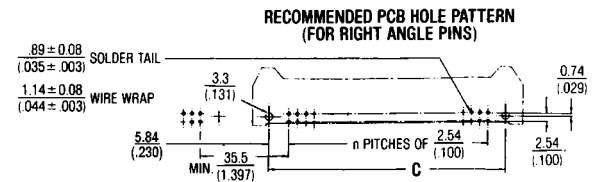
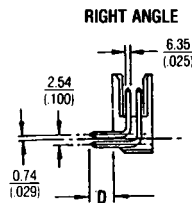
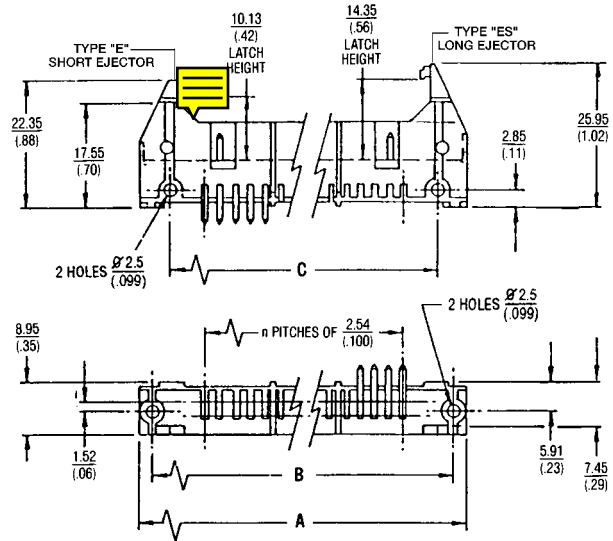
TEMPERATURE RATING: -55°C TO 125°C

MATING CONNECTORS

FEMALE SOCKETS: See pages 9-12

ACCESSORIES

POLARIZING KEY: See page 44



Ordering Information

PCB 1.57MM (.062) D=2.9MM (.114) RIGHT ANGLE	CATALOG NUMBERS		NO. OF POS.	DIMENSIONS IN MM (INCHES)		
	PCB 3.18 MM (.125) D=4.48MM (.176) RIGHT ANGLE	WIREWRAP D=15.5MM (.610) RIGHT ANGLE		A	B	C
609-0604	609-0614	609-0644	6	27.05 (1.07)	22.86 (.90)	16.76 (.66)
609-1004	609-1014	609-1044	10	32.13 (1.26)	27.94 (1.10)	21.64 (.85)
609-1204	609-1214	609-1244	12	34.64 (1.36)	30.48 (1.20)	24.38 (.96)
609-1404	609-1414	609-1444	14	37.21 (1.46)	33.02 (1.30)	26.92 (1.06)
609-1604	609-1614	609-1644	16	39.75 (1.56)	35.56 (1.40)	29.46 (1.16)
609-2004	609-2014	609-2044	20	44.83 (1.76)	40.64 (1.60)	34.54 (1.36)
609-2404	609-2414	609-2444	24	49.88 (1.96)	45.72 (1.80)	39.62 (1.56)
609-2604	609-2614	609-2644	26	52.45 (2.06)	48.26 (1.90)	42.16 (1.66)
609-3004	609-3014	609-3044	30	57.50 (2.26)	53.34 (2.10)	47.26 (1.86)
609-3404	609-3414	609-3444	34	62.61 (2.46)	58.42 (2.30)	52.32 (2.06)
609-3604	609-3614	609-3644	36	65.12 (2.56)	60.96 (2.40)	54.86 (2.16)
609-4004	609-4014	609-4044	40	70.23 (2.76)	66.04 (2.60)	59.94 (2.36)
609-4404	609-4414	609-4444	44	75.31 (2.96)	71.12 (2.80)	65.02 (2.56)
609-5004	609-5014	609-5044	50	82.93 (3.26)	78.74 (3.10)	72.64 (2.86)
609-6004	609-6014	609-6044	60	95.63 (3.76)	91.44 (3.60)	85.35 (3.36)
609-6404	609-6414	609-6444	64	100.71 (3.96)	96.52 (3.80)	90.42 (3.56)

For long ejectors, add suffix ES (609-XXXXES). For short ejectors, add suffix E (609-XXXXE)
 Add "R" to part number for PCB retention feature.