

LOW PROFILE HEADERS WITH VERTICAL RETAINER/EJECTOR LATCHES, RIGHT ANGLE PINS

.100" x .100" CENTERS



LR92984 E60980

PHYSICAL PROPERTIES

INSULATION MATERIAL: Glass filled thermoplastic rated UL 94V-0

COLOR: Blue

CONTACT MATERIAL: Phosphor bronze with 30µ inches min. gold over 50µ inches min. nickel plating
.025 Sq. pin w/coined edges

ELECTRICAL PROPERTIES

CURRENT RATING: 1 Amp

INSULATION RESISTANCE: >1 x 10⁹ Ohms @ 500 VDC

DIELECTRIC STRENGTH: >1000 VRMS @ sea level

ENVIRONMENTAL PROPERTIES

TEMPERATURE RATING: -55°C TO 125°C

MATING CONNECTORS

FEMALE SOCKETS: See pages 9-13

ACCESSORIES

POLARIZING KEY: See page 46

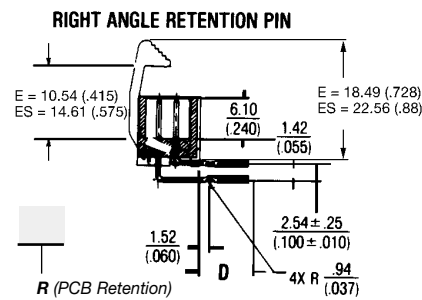
501 - XX XX

of Positions

Tail Style

E (Ejector)
ES Ejector for Strain Relief

R (PCB Retention)



Ordering Information

CATALOG NUMBERS		NO. OF POS.	DIMENSIONS IN MM (INCHES)		
DIMENSION "D" IN MM (INCHES) 2.59 (.102) FOR 1.57 (.062) P.C. BOARDS	4.19 (.165) FOR 3.18 (.125) P.C. BOARDS		A	B	C
501-0607XX	501-0617XX	6	15.24 (.600)	7.11 (.280)	5.08 (.200)
501-1007XX	501-1017XX	10	20.32 (.800)	12.19 (.480)	10.16 (.400)
501-1207XX	501-1217XX	12	22.86 (.900)	14.73 (.580)	12.70 (.500)
501-1407XX	501-1417XX	14	25.40 (1.000)	17.27 (.680)	15.24 (.600)
501-1607XX	501-1617XX	16	27.94 (1.100)	19.81 (.780)	17.78 (.700)
501-2007XX	501-2017XX	20	33.02 (1.300)	24.89 (.980)	22.86 (.900)
501-2407XX	501-2417XX	24	38.10 (1.500)	29.97 (1.180)	27.94 (1.100)
501-2607XX	501-2617XX	26	40.64 (1.600)	32.51 (1.280)	30.48 (1.200)
501-3007XX	501-3017XX	30	45.72 (1.800)	37.59 (1.480)	35.56 (1.400)
501-3407XX	501-3417XX	34	50.80 (2.000)	42.67 (1.680)	40.64 (1.600)
501-3607XX	501-3617XX	36	53.34 (2.100)	45.21 (1.780)	43.18 (1.700)
501-4007XX	501-4017XX	40	58.42 (2.300)	50.29 (1.980)	48.26 (1.900)
501-4407XX	501-4417XX	44	63.50 (2.500)	55.37 (2.180)	53.34 (2.100)
501-5007XX	501-5017XX	50	71.12 (2.800)	62.99 (2.480)	60.96 (2.400)
501-6007XX	501-6017XX	60	83.82 (3.300)	75.69 (2.980)	73.66 (2.900)
501-6407XX	501-6417XX	64	88.90 (3.500)	80.77 (3.180)	78.74 (3.100)

Add suffix E for ejectors without strain relief; Add suffix ES for ejectors with strain relief
Add "R" to part number for PCB retention feature.

