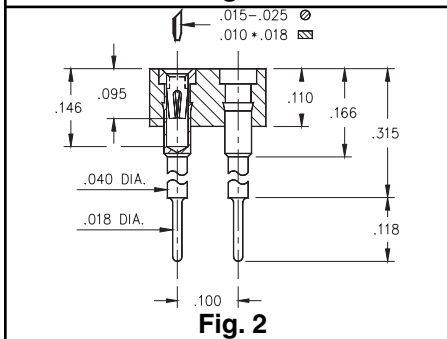
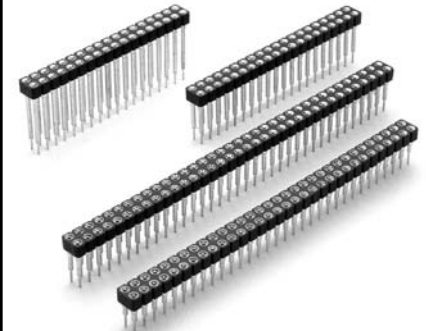


**Fig. 1**

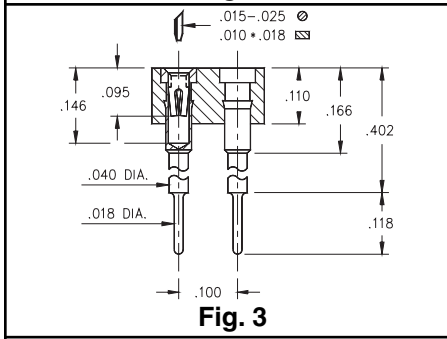
- Elevated sockets are available in 5 different standoff heights.  
416...006 uses pin# 0153-1  
416...003 uses pin# 0153-2  
416...007 uses pin# 0153-3  
416...008 uses pin# 0153-4  
416...001 uses pin# 0153-5  
See page 136 for details.
- Hi-Rel, 4-finger BeCu #30 clip rated at 3 amps. See page 208 for details.



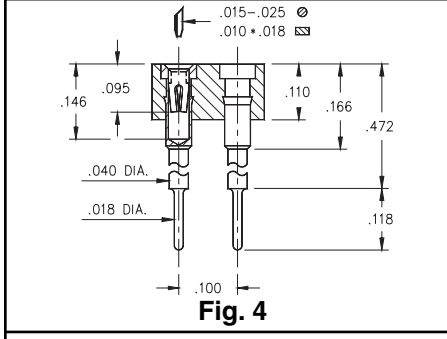
**Fig. 2**

**Ordering Information**

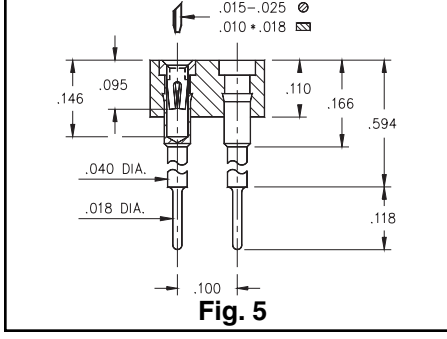
<b>Fig. 1</b>	<b>Series 416...006 Standoff Height = .236"</b>
	416-XX-2__-41-006 Specify # of pins $\rightarrow$ 02-64
<b>Fig. 2</b>	<b>Series 416...003 Standoff Height = .315"</b>
	416-XX-2__-41-003 Specify # of pins $\rightarrow$ 02-64
<b>Fig. 3</b>	<b>Series 416...007 Standoff Height = .402"</b>
	416-XX-2__-41-007 Specify # of pins $\rightarrow$ 02-64
<b>Fig. 4</b>	<b>Series 416...008 Standoff Height = .472"</b>
	416-XX-2__-41-008 Specify # of pins $\rightarrow$ 02-64
<b>Fig. 5</b>	<b>Series 416...001 Standoff Height = .594"</b>
	416-XX-2__-41-001 Specify # of pins $\rightarrow$ 02-64



**Fig. 3**



**Fig. 4**



**Fig. 5**

*XX= Plating Code  
See Below*

*For High Temperature  
Insulators Add '100'  
To End Of  
Part Numbers*

SPECIFY PLATING CODE XX=			<b>93</b>	
Sleeve (Pin)			200 $\mu$ " Sn/Pb	
Contact (Clip)			30 $\mu$ " Au	