

10 9 8 7 6 5 4 3 2 1

F

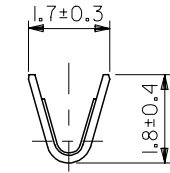
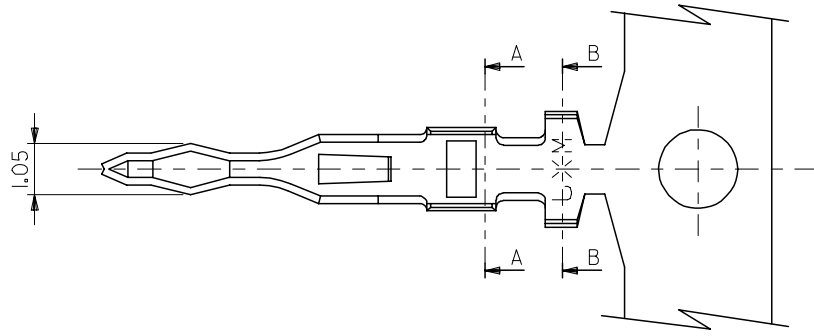
E

D

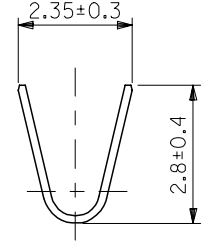
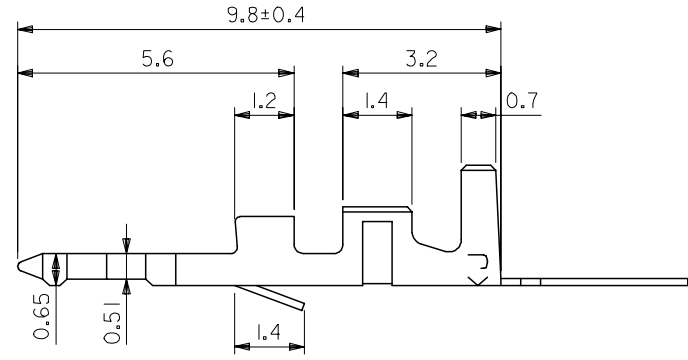
C

B

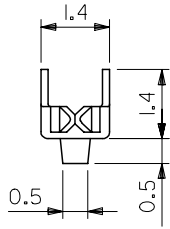
A



断面A-A
SECT. A-A



断面B-B
SECT. B-B



注)
NOTE.

1. 適合ハウジング : 5395-N
HOUSING:5395-N

39-00-0035	5394T2L	バラ状 LOOSE
39-00-0034	5394T2	連鎖状 CHAIN
EDP.NO.	ENG.NO.	形状 FORM

REVISED EC NO: J2005-0061 DRAWN: TANAKA 2005/02/03 CHKD: NUKITA 2005/02/04 APPR: NUKITA 2005/02/10	GENERAL TOLERANCES (UNLESS SPECIFIED)		DIMENSION STYLE MM ONLY	SCALE 10:1	DESIGN UNITS METRIC	THIRD ANGLE PROJECTION	
	10 UNDER	±0.2	DRAWN BY KKOHAMA	DATE 2000/03/28	TITLE BOARD IN CONN. MINI. CRIMP PIN		
	10 OVER 30 UNDER	±0.25	CHECKED BY TYAMAGUC	DATE 2000/03/30			
	30 OVER	±0.3	APPROVED BY MFUKUSHI	DATE 2000/03/30	MOLEX INCORPORATED		
ANGULAR	±3 °	MATERIAL NO.	SEE CHART	DOCUMENT NO. SD-5394T2*	SHEET NO. 1 OF 1		
DRAFT WHERE APPLICABLE MUST REMAIN WITHIN DIMENSIONS		SIZE A3	THIS DRAWING CONTAINS INFORMATION THAT IS PROPRIETARY TO MOLEX INCORPORATED AND SHOULD NOT BE USED WITHOUT WRITTEN PERMISSION				

MATERIAL
黄銅(錫メッキ) t:0.15
PRE-TINNED BRASS t:0.15