

DIAMOND

Fiber Optic Components

The **E-2000™ FUSION** allows installers to terminate Diamond-quality **E-2000™** connectors in the field without the time, mess and expense associated with epoxying, curing and polishing.

Consisting of a pre-assembled connector with a factory-terminated fiber stub, the **E-2000™ FUSION** is terminated directly onto fiber in the field with a fusion splice. The fiber stub is core-centered via Diamond's well-known Active Core Alignment process and factory-polished to the company's exacting specifications. Models are available with single mode or GI multimode fiber stubs and a choice of 0° PC or 8° APC endface polishes. Other fiber types can also be accommodated.

The compact, battery-operated fusion splicer permits **E-2000™ FUSION** connectors to be quickly and easily terminated directly onto 900 μm secondary-coated fiber or 2.1-3.5 mm jacketed cable. Only a minimum of operator skill is required to achieve outstanding connections every time.

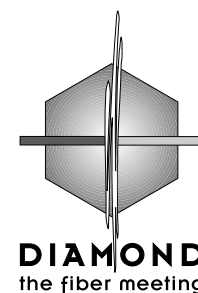
The finished connector incorporates all the features which have made the E-2000™ the growing favorite with users worldwide, including...

- Automatic, built-in protective covers for eye-safety and extended ferrule life
- Interchangeable, user-definable color-coding and mechanical keying options
- Simplex and duplex options
- Compatibility with a growing range of **E-2000™** components, including active Tx/Rx modules, attenuators, hybrid mating adapters, etc.
- Simple, fast, reliable field termination with a minimum of operator skill
- Outstanding optical performance
- No polishing and epoxy
- Battery-operated tooling for up to 30 terminations on a single charge
- Eliminates the need to fusion-splice pigtails onto cable ends, thereby eliminating costly, space-consuming splice trays

Specifications:

	GI Multimode	Single mode	Single mode 8° APC	Units
Insertion loss (IL)	typ 0.25 max 0.8	typ 0.3 max 0.9	typ 0.3 max 0.9	dB
Reflectance (RL)	typ -35	min 50	min 70*	dB
Repeatability of IL	max ±0.1	max ±0.1max ±0.1	dB	
Service life	1000 mate/demate cycles			
Operating temperature	-40 / +85	-40 / +85	-40 / +85°	C**
Storage temperature	-40 / +90	-40 / +90	-40 / +90°	C**
Ferrule material	Zirconia/copper-nickel alloy insert (Pilzferrule)			
External parts	Plastic (blue)	Plastic (blue)	Plastic (green)	

* Measured with high precision reflectometer.
 ** May be further limited by cable specifications.

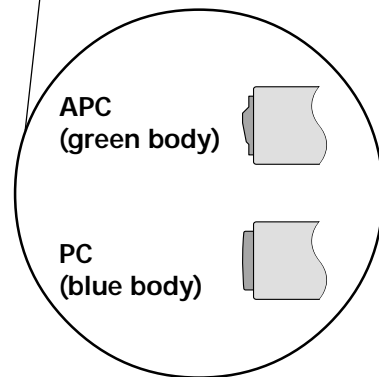
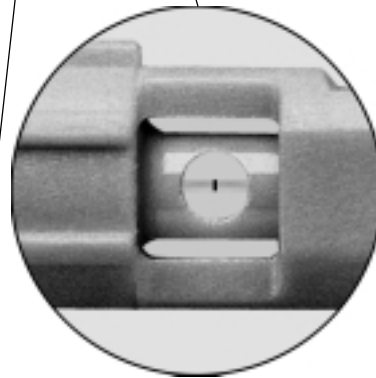
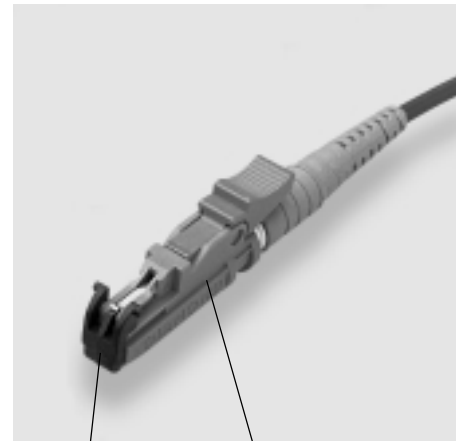


DIAMOND SA
 Via dei Patrizi 5
 CH-6616 LOSONE
 Tel. ++41-91/785 45 45
 Fax ++41-91/785 45 00
 e-mail: info@diamond-fo.com

E-2000™ FUSION

SINGLE MODE/MULTIMODE

- E-28**.6
- E-28**.6 DUPLEX
- E-28**.6 COMPACT



Specifications subject to change without notice

002-037-210P008120

CONNECTOR E-2000™ COMPACT

MULTIMODE

Type designation: E-2856.6 COMPACT
 Ferrule material: Zirconia/copper-nickel alloy insert (Pilzferrule)
 External parts: Plastic (blue)
 Polish geometry: Convex (PC)

GI 50/125		GI 62.5/125	
Dimensions Fiber/Cable	Order Number	Dimensions Fiber/Cable	Order Number
50/125/900	- 0 0 1 - 0 0 1 L 0 0 0	62.5/125/900	- 0 0 1 - 0 1 1 L 0 0 0
50/125/900/3000/6500	- 0 0 1 - 0 0 4 L 0 0 0	62.125/900/3000/6500	- 0 0 1 - 0 1 4 L 0 0 0

COLOR CODING

Thumb-latch	blue	green	black	red	orange	yellow	white	violet
Order No.	501	511	521	531	541	551	561	571

MECHANICAL KEYING

Thumb-latch No.	1-1 (red)	2-2 (brown)	3-3 (yellow)	4-4 (orange)	5-5 (violet)	6-6 (white)	---	---
Order No.	601	611	621	631	641	651	---	---

SINGLEMODE

Type designation: E-2846.6 COMPACT
 Ferrule material: Zirconia/copper-nickel alloy insert (Pilzferrule)
 External parts: Plastic (blue)
 Polish geometry: Convex (PC)

Dimensions Fiber/Cable	Order Number
9/125/900	- 0 0 1 - 0 0 1 L 0 0 0
9/125/900/3000/6500	- 0 0 1 - 0 0 4 L 0 0 0

COLOR CODING

Thumb-latch	blue	green	black	red	orange	yellow	white	violet
Order No.	500	510	520	530	540	550	560	570

MECHANICAL KEYING

Thumb-latch No.	1-1 (red)	2-2 (brown)	3-3 (yellow)	4-4 (orange)	5-5 (violet)	6-6 (white)	---	---
Order No.	600	610	620	630	640	650	---	---

Type designation:

E-2848.6 COMPACT
 Ferrule material: Zirconia/copper-nickel alloy insert (Pilzferrule)
 External parts: Plastic (green)
 Polish geometry: 8° angled (APC)

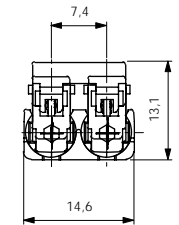
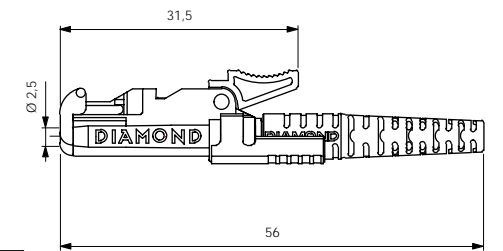
Dimensions Fiber/Cable	Order Number
9/125/900	- 0 0 1 - 0 0 1 L 0 0 0
9/125/900/3000/6500	- 0 0 1 - 0 0 4 L 0 0 0

COLOR CODING

Thumb-latch	green	blue	black	red	orange	yellow	white	violet
Bestell. Nr.	502	512	522	532	542	552	562	572

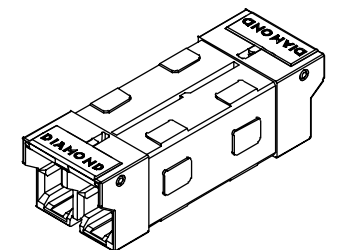
MECHANICAL KEYING

Thumb-latch No.	1-1 (red)	2-2 (brown)	3-3 (yellow)	4-4 (orange)	5-5 (violet)	6-6 (white)	---	---
Order No.	602	612	622	632	642	652	---	---



ADAPTER

For complete product descriptions and ordering information, please refer to the part-specific data sheets E-2211.-2*** COMPACT.



CONNECTOR E-2000™ (LSH)

MULTIMODE

Type designation: E-2816.6
 Ferrule material: Zirconia/copper-nickel alloy insert (Pilzferrule)
 External parts: Plastic (blue)
 Polish geometry: Convex (PC)

GI 50/125		GI 62.5/125	
Dimensions Fiber/Cable	Order Number	Dimensions Fiber/Cable	Order Number
50/125/900	- 001 - 001 L 000	62.5/125/900	- 001 - 011 L 000
50/125/900/2100	- 001 - 002 L 000	62.5/125/900/2100	- 001 - 012 L 000
50/125/900/2500	- 001 - 003 L 000	62.5/125/900/2500	- 001 - 013 L 000
50/125/900/3000	- 001 - 004 L 000	62.5/125/900/3000	- 001 - 014 L 000
50/125/900/3500	- 001 - 005 L 000	62.5/125/900/3500	- 001 - 015 L 000

COLOR CODING

Thumb-latch	blue	green	black	red	orange	yellow	white	violet
Order No.	301	311	321	331	341	351	361	371

MECHANICAL KEYING

Thumb-latch No.	1-1 (red)	2-2 (brown)	3-3 (yellow)	4-4 (orange)	5-5 (violet)	6-6 (white)	---	---
Order No.	401	411	421	431	441	451	---	---

SINGLE MODE

Type designation: E-2806.6
 Ferrule material: Zirconia/copper-nickel alloy insert (Pilzferrule)
 External parts: Plastic (blue)
 Polish geometry: Convex (PC)

Dimensions Fiber/Cable	Order Number
9/125/900	- 001 - 001 L 000
9/125/900/2100	- 001 - 002 L 000
9/125/900/2500	- 001 - 003 L 000
9/125/900/3000	- 001 - 004 L 000
9/125/900/3500	- 001 - 005 L 000

COLOR CODING

Thumb-latch	blue	green	black	red	orange	yellow	white	violet
Order No.	300	310	320	330	340	350	360	370

MECHANICAL KEYING

Thumb-latch No.	1-1 (red)	2-2 (brown)	3-3 (yellow)	4-4 (orange)	5-5 (violet)	6-6 (white)	---	---
Order No.	400	410	420	430	440	450	---	---

Type designation: E-2808.6

Ferrule material: Zirconia/copper-nickel alloy insert (Pilzferrule)
 External parts: Plastic (green)
 Polish geometry: 8° angled (APC)

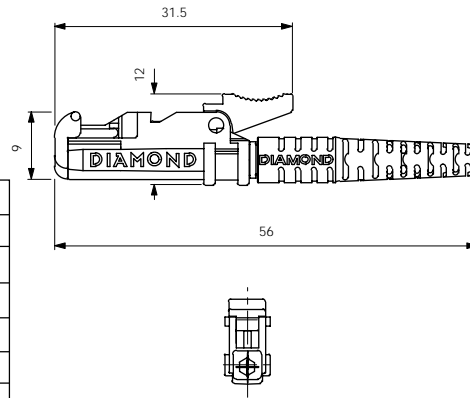
Dimensions Fiber/Cable	Order Number
9/125/900	- 001 - 001 L 000
9/125/900/2100	- 001 - 002 L 000
9/125/900/2500	- 001 - 003 L 000
9/125/900/3000	- 001 - 004 L 000
9/125/900/3500	- 001 - 005 L 000

COLOR CODING

Thumb-latch	green	blue	black	red	orange	yellow	white	violet
Order No.	302	312	322	332	342	352	362	372

MECHANICAL KEYING

Thumb-latch No.	1-1 (red)	2-2 (brown)	3-3 (yellow)	4-4 (orange)	5-5 (violet)	6-6 (white)	---	---
Order No.	402	412	422	432	441	452	---	---



CONNECTOR E-2000™ DUPLEX

MULTIMODE

Type designation: E-2856.6 DUPLEX
 Ferrule material: Zirconia/copper-nickel alloy insert (Pilzferrule)
 External parts: Plastic (blue)
 Polish geometry: Convex (PC)

GI 50/125		GI 62.5/125	
Dimensions Fiber/Cable	Order Number	Dimensions Fiber/Cable	Order Number
50/125/900	- 001 - 001 L 000	62.5/125/900	- 001 - 011 L 000
50/125/900/3000/6500	- 001 - 004 L 000	62.5/125/900/3000/6500	- 001 - 014 L 000

FARBCODIERUNG

Thumb-latch	blue	green	black	red	orange	yellow	white	violet
Order No.	304	314	324	334	344	354	364	374

SINGLE MODE

Type designation: E-2846.6 DUPLEX
 Ferrule material: Zirconia/copper-nickel alloy insert (Pilzferrule)
 External parts: Plastic (blue)
 Polish geometry: Convex (PC)

Dimensions Fiber/Cable	Order Number
9/125/900	- 001 - 001 L 000
9/125/900/3000/6500	- 001 - 004 L 000

COLOR CODING

Thumb-latch	blue	green	black	red	orange	yellow	white	violet
Order No.	303	313	323	333	343	353	363	373

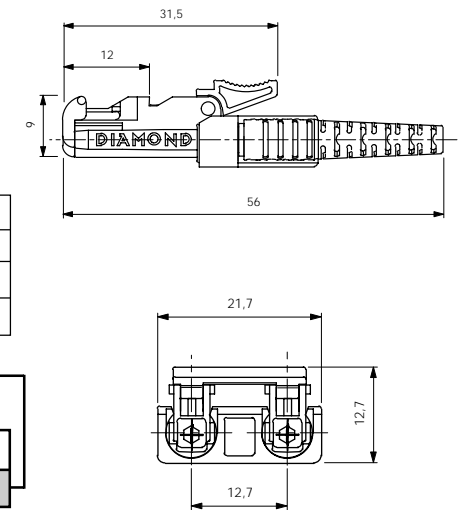
Type designation: E-2848.6 DUPLEX

Ferrule material: Zirconia/copper-nickel alloy insert (Pilzferrule)
 External parts: Plastic (green)
 Polish geometry: 8° angled (APC)

Dimensions Fiber/Cable	Order Number
9/125/900	- 001 - 001 L 000
9/125/900/3000/6500	- 001 - 004 L 000

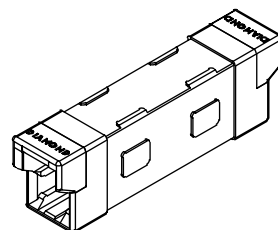
COLOR CODING

Thumb-latch	green	blue	black	red	orange	yellow	white	violet
Order No.	305	315	325	335	345	355	365	375



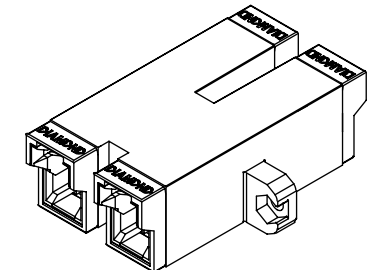
ADAPTER

For complete product descriptions and ordering information, please refer to the part-specific data sheets E-2201.-2***.

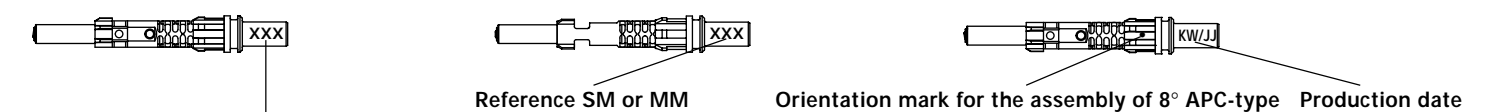


ADAPTER

For complete product descriptions and ordering information, please refer to the part-specific data sheets E-2210.-2*** DUPLEX.



Marking of DIAMOND FUSION "alberini"



Codes for preterminated standard fiber stubs

800	Siecor SMF-1528	Standard components are preterminated with a specially selected Siecor SMF - 1528. Please contact your DIAMOND sales office if another fiber type is required.
200	Corning GI 50 μm	Standard components are preterminated with Corning GI 50/125 μm and Corning GI 62.5/125 μm fiber stubs. Please contact your DIAMOND sales office if another fiber type is required.
201	Corning GI 62.5 μm	