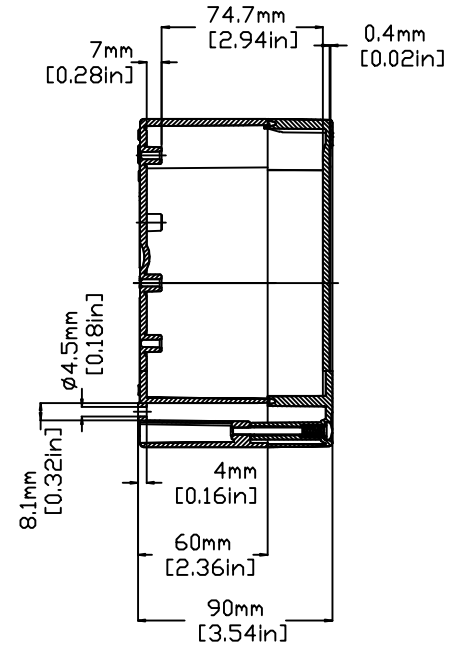
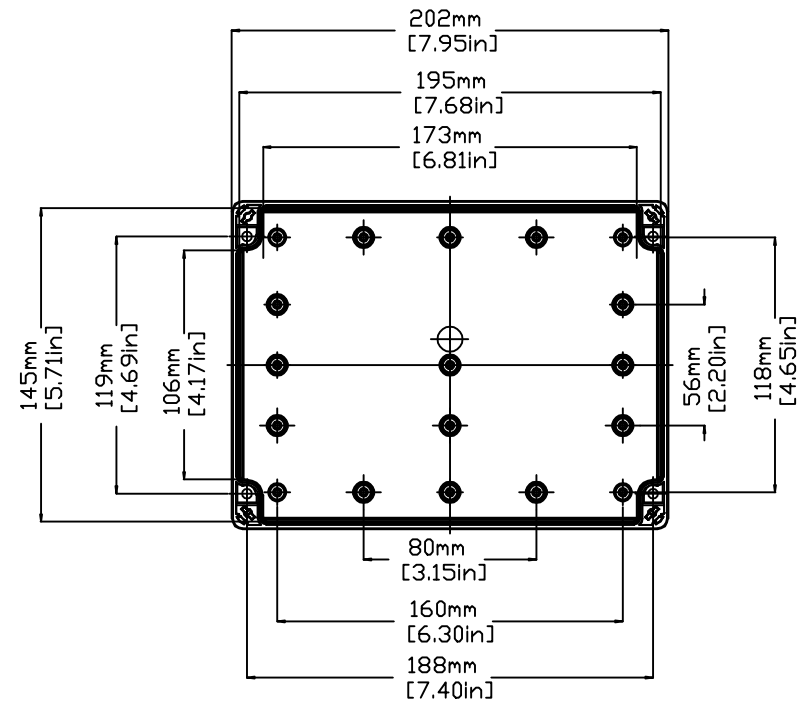
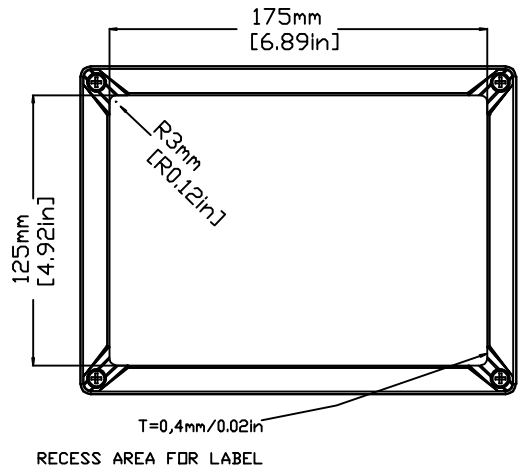


REVISIONS FOR DWG # 3EN-3IS-TG-TG2015\_9

REV	CH.NO.	DESCRIPTION	DATE	REVISED BY
-	-	ORIGINAL DESIGN	08/01/11	ROLAND G



UNLESS OTHERWISE SPECIFIED  
 • ALL DIMENSIONS ARE IN MILLIMETERS  
 • THIRD ANGLE PROJECTION

• TOLERANCE

XX	±	XX mm
XX.X	±	XX mm
XX.XX	±	XX mm
ALL	±	XX mm

This Drawing is the property of  
**Altrech Corp.**  
 35 Royal Road  
 Flemington NJ 08822-6000  
 (908) 806-9400 · Fax (908) 806-9490

AND IS A CONFIDENTIAL DISCLOSURE LENT WITHOUT CONSIDERATION OTHER THAN THE BORROWER'S AGREEMENT THAT IT SHALL NOT BE REPRODUCED, COPIED, LENT, OR DISPOSED OF DIRECTLY OR INDIRECTLY NOR USED FOR ANY PURPOSE OTHER THAN THAT FOR WHICH IT IS SPECIFICALLY FURNISHED.

TITLE: ABS/POLYCARBONATE ENCLOSURE TG 2015-9		DRAWING NO.: 3EN-3IS-TG-TG2015_9	REV.: -
DRAWN BY: ROLAND GYORGYPAL	08/01/2011	SCALE: -	SHEET: 1 OF: 1
CHECKED BY: JEFF ROYE	08/01/2011		
RELEASED BY: LASZLO G.	08/01/2011		