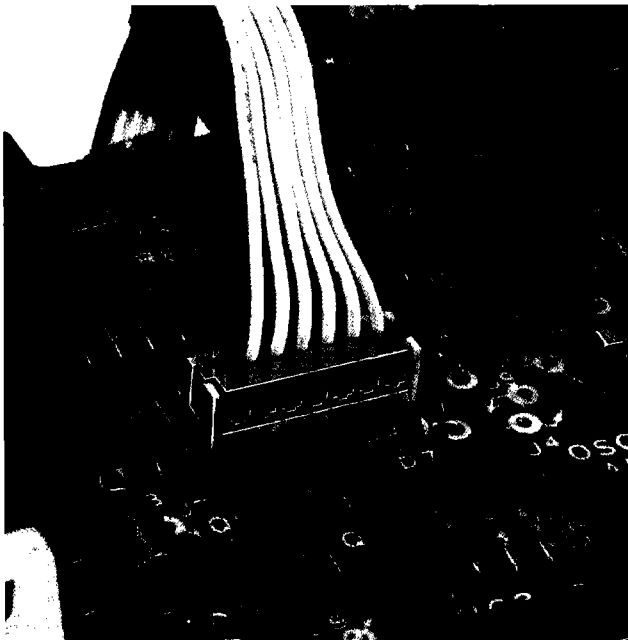
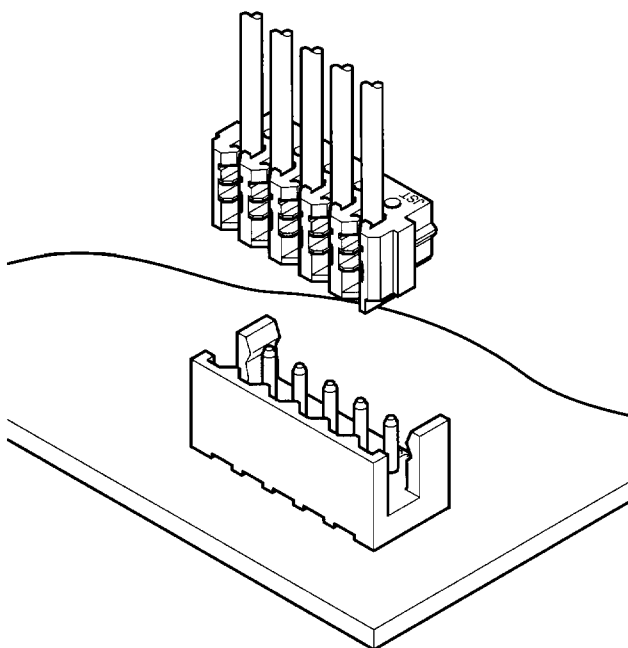


DR CONNECTOR

Disconnectable insulation displacement connectors



Measuring 2.0mm (.079") in pitch, only 5.0mm (.197") in mounting height, and 4.8mm (.189") in thickness, the DR connector is a compact insulation displacement connector developed to meet the needs for miniaturization of electronic equipment, including VCRs, cameras and car stereo systems.



Features

• Compact

This connector measures 2.0mm (.079") in pitch, 5.0mm (.197") in mounting height, and 4.8mm (.189") in thickness.

• Twin U-slot insulation displacement section

The insulation displacement section connected to each wire consists of two tin-plated slots (twin U-slots). This redundancy ensures reliable connection even under adverse circumstances.

• Folded beam double-leaf contact construction

As contact become smaller, their spring strength is reduced. To solve this problem, a folded beam construction is employed to increase contact spring strength.

• Strain relief

A strain relief secures the wire insulation to protect the insulation displacement connection against vibration, impact and other external forces. A triangular projection on the shrouded header functions to prevent connector distortion during connection and disconnection, to reinforce the strain relief and to prevent the conductor of the insulation displacement section from being exposed.

Specifications

- Current rating: 1.0A AC, DC
 - Voltage rating: 100V AC, DC
 - Temperature range: -25°C to $+85^{\circ}\text{C}$
(including temperature rise in applying electrical current)
 - Contact resistance: Initial value/10m Ω max.
After environmental testing/20m Ω max.
 - Insulation resistance: 1,000M Ω min.
 - Withstanding voltage: 800V AC/minute
 - Applicable wire: AWG #28, #26
UL1571, 1061 (Contact JST for details regarding other UL wires.)
Conductor/7 strands, tin-coated
Insulation O.D./0.9 to 1.0mm (.035" to .039")
 - Applicable PC board thickness: 1.2 to 1.6mm (.047" to .063")
- * Contact JST for details.

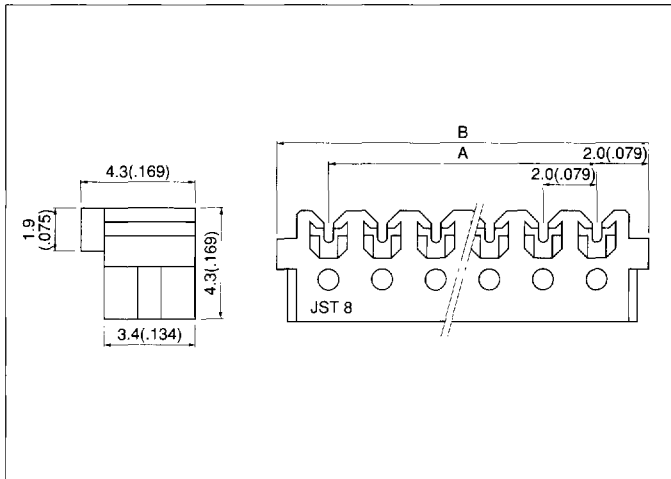
Standards

Recognized file No. E60389

Certified file No. LR20812

DR CONNECTOR

Receptacle

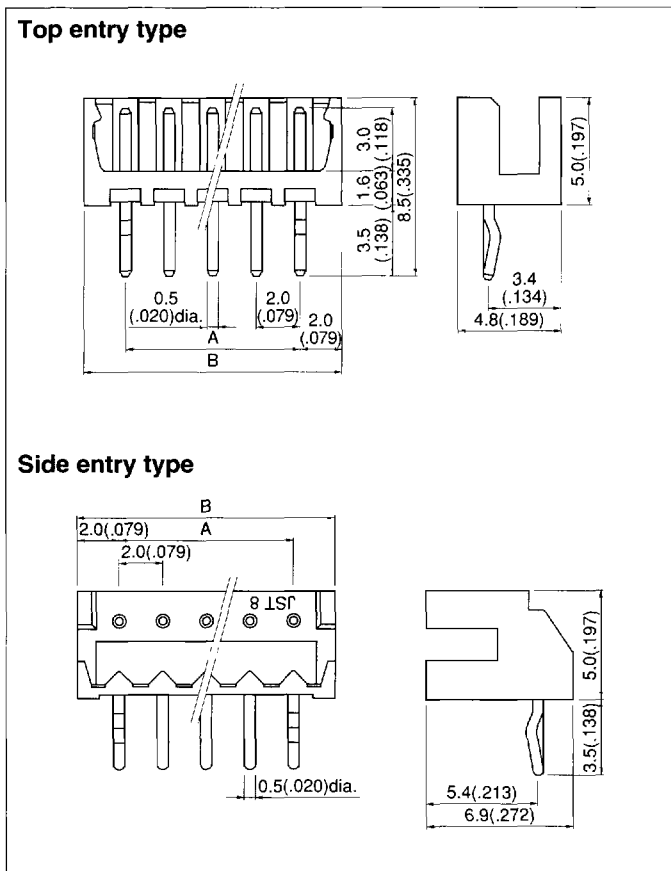


Cir- cuits	Model No.		Dimensions mm(in.)		Q'ty / box
	AWG #28 Blue	AWG #26 Natural (white)	A	B	
2	02DR-N-E8E	02DR-N-E6S	2.0(.079)	6.0(.236)	2,000
3	03DR-N-E8E	03DR-N-E6S	4.0(.157)	8.0(.315)	2,000
4	04DR-N-E8E	04DR-N-E6S	6.0(.236)	10.0(.394)	1,000
5	05DR-N-E8E	05DR-N-E6S	8.0(.315)	12.0(.472)	1,000
6	06DR-N-E8E	06DR-N-E6S	10.0(.394)	14.0(.551)	1,000
7	07DR-N-E8E	07DR-N-E6S	12.0(.472)	16.0(.630)	1,000
8	08DR-N-E8E	08DR-N-E6S	14.0(.551)	18.0(.709)	1,000
9	09DR-N-E8E	09DR-N-E6S	16.0(.630)	20.0(.787)	500
10	10DR-N-E8E	10DR-N-E6S	18.0(.709)	22.0(.866)	500

Material and Finish

Contact: Phosphor bronze, tin-plated
Housing: Nylon 66, UL94V-0

Shrouded header

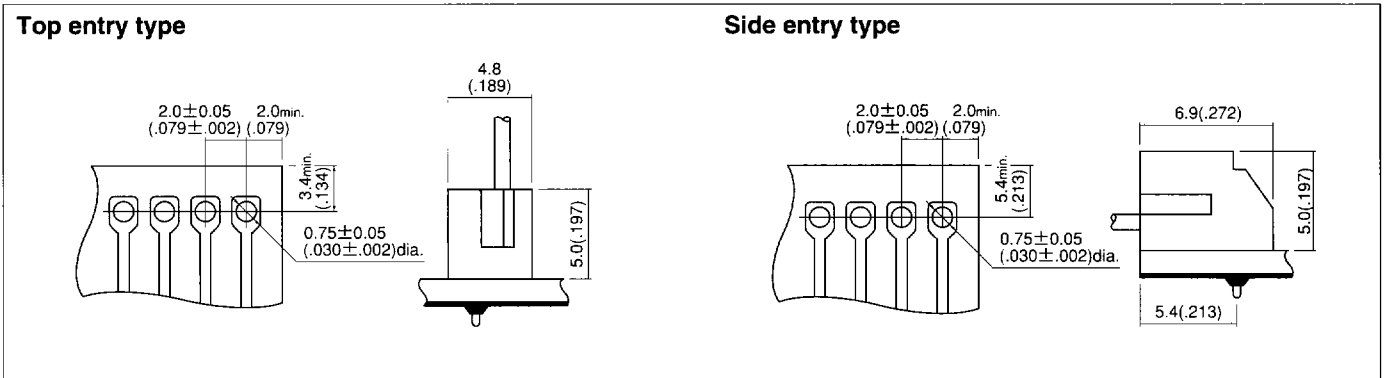


Cir- cuits	Model No.		Dimensions mm(in.)		Q'ty / box	
	Top entry type	Side entry type	A	B	Top entry type	Side entry type
2	B02-DR	S02B-DR	2.0(.079)	6.0(.236)	2,000	1,000
3	B03-DR	S03B-DR	4.0(.157)	8.0(.315)	1,000	1,000
4	B04-DR	S04B-DR	6.0(.236)	10.0(.394)	1,000	1,000
5	B05-DR	S05B-DR	8.0(.315)	12.0(.472)	1,000	1,000
6	B06-DR	S06B-DR	10.0(.394)	14.0(.551)	500	500
7	B07-DR	S07B-DR	12.0(.472)	16.0(.630)	500	500
8	B08-DR	S08B-DR	14.0(.551)	18.0(.709)	500	500
9	B09-DR	S09B-DR	16.0(.630)	20.0(.787)	500	500
10	B10-DR	S10B-DR	18.0(.709)	22.0(.866)	500	500

Material and Finish

Pin: Brass, copper-undercoated, tin/lead-plated
Wafer: Nylon 66, UL94V-0, natural (ivory)

PC board layout (viewed from soldering side) and Assembly layout



Note:

1. Tolerances are non-cumulative: $\pm 0.05\text{mm} (\pm .002")$ for all centers.
2. Hole dimensions differ according to the kind of PC board and piercing method. The dimensions above should serve as a guideline. Contact JST for details.