

PRODUCT NUMBER

57102-XXX-XXXXXLF

PLATING

S = 0.38µm GOLD ON CONTACT AREA
3.81µm TIN LEAD ON TAIL

G = 0.76µm GOLD ON CONTACT AREA
3.81µm TIN LEAD ON TAIL

F = GOLD FLASH ON CONTACT AREA
3.81µm TIN LEAD ON TAIL

WHEN "LF" IS REQUIRED, 2µm MIN
MATTE TIN OVER 1.27µm MIN NICKEL
INSTEAD OF TIN-LEAD

WHEN REQUIRED, ADD SUFFIX LETTER "LF"
INDICATES THE PRODUCT IS RoHS COMPATIBLE
SEE NOTE 7

POLARIZATION, SEE NOTE 6

PACKAGING, SEE NOTE 5

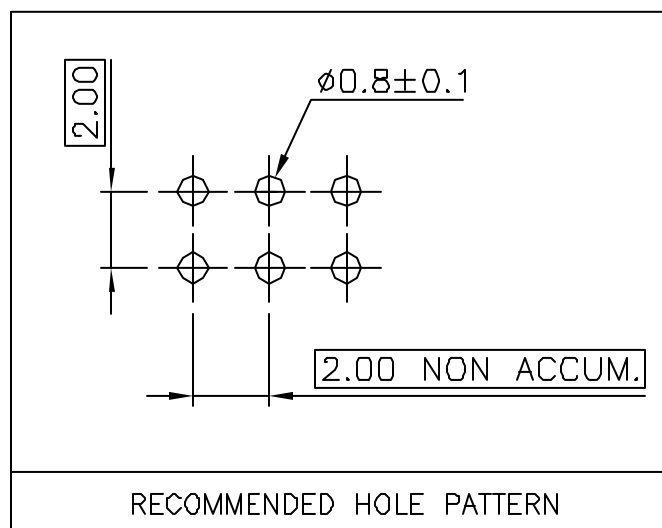
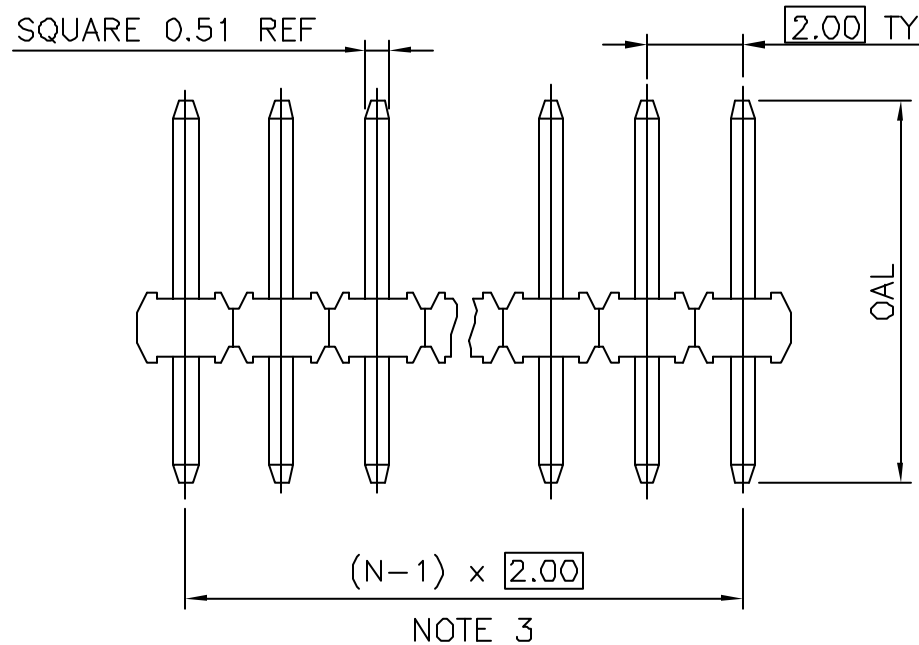
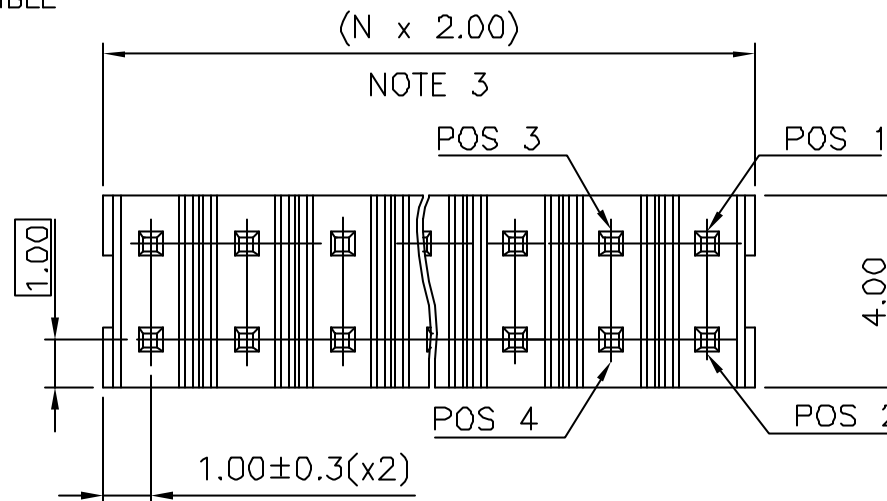
NB OF POSITIONS PER ROW: 02 TO 25 POS

PIN STYLE	POST LENGTH	TAIL LENGTH	OAL
02	2.00	2.50	6.00
04	2.00	3.00	6.50
06	4.00	2.50	8.00
08	4.00	3.00	8.50

NOTES:

- MATERIAL HOUSING: HIGH TEMP. THERMOPLASTIC
UL 94V-0, COLOR BLACK
- MATERIAL TERMINAL: COPPER ALLOY
- TO DETERMINE DIMENSIONS:
N = NUMBER OF POSITIONS PER ROW
- 7N MIN. PIN RETENTION IN EITHER DIRECTION.
- PACKAGING:
= PLASTIC BOX
- = PLASTIC BOX WHEN POLARIZATION FEATURE APPLICABLE
U = TUBE AVAILABLE FROM 03 TO 25 POS PER ROW
- FOR POLARIZATION, SPECIFIED PIN
EXAMPLE : 03 = OMIT PIN POSITION 3, SEE TOP VIEW
OMIT FROM PRODUCT NUMBER IF THIS FEATURE IS NOT APPLICABLE
- RoHS COMPATIBLE PRODUCT SPECIFICATIONS
 - PLATING:
- "LF" MEANS THE PRODUCT IS LEAD-FREE,
2µm MINIMUM MATTE TIN OVER 1.27µm
MINIMUM NICKEL UNDERPLATE.
 - MANUFACTURING PROCESS COMPATIBILITY
- THE HOUSING WILL WITHSTAND EXPOSURE TO
260°C ±5°C SOLDER BATH TEMPERATURE FOR
5 SECONDS IN A WAVE SOLDER APPLICATION
WITH A 1.6mm MIN THICK CIRCUIT BOARD.
- COMPATIBLE TO REFLOW PROCESS 260°C MAX
FOR 30 SECONDES
 - LABELLING:
- MEETS PACKAGING SPECS AS PER GS-14-920
 - LEGAL STATEMENT : SEE GS-22-008

TOP VIEW



mat'l. code				surface ISO 1302	tolerance ISO 406 ISO 101	projection	product family MINITEK
ltr	ecn no	dr	date	tolerances unless otherwise specified		mm	title UNSH HEADER 2.00 mm VERTICAL TMT
D	F03-0205	JCO	03.05.21	angles	.X ±0.3		
E	F04-0178	LMU	04.11.25	Linear	.XX ±0.13	scale 1:1	dwg no 57102
F	F04-0378	LMU	04.11.26		.XXX ±0.05		
G	F05-0124	LMU	05.02.07	dr	LMULIN	04.05.06	sheet 1 of 1
H	F06-0210	LMU	06.07.04	engr	J.COMPAGNON	04.11.25	size A3
				chr			type CUSTOMER Drawing
				appd	JM.C	04.11.25	
sheet index	revision sheet						



Copyright FCI