

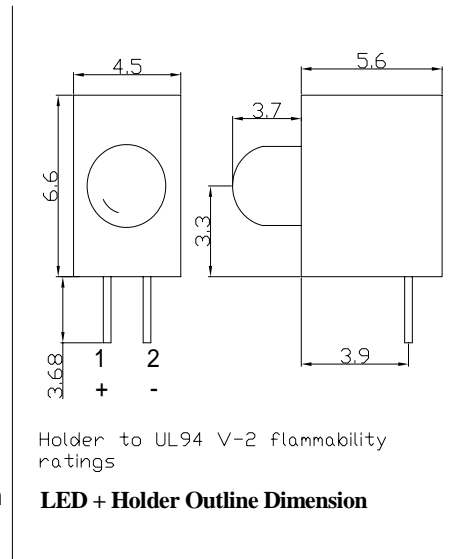
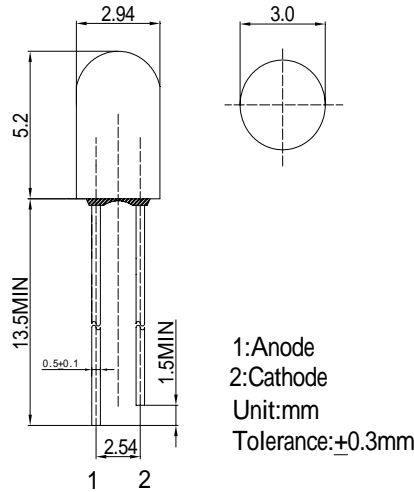
**Features**

- High Luminous LEDs
- 3mm Round Standard Directivity
- Long Lifetime Operation
- Superior Weather-resistance
- UV Resistant Epoxy
- Holder Color: Black
- Color diffused Type

**Applications**

- Electronic Signs And Signals
- Small Area Illuminations
- Back Lighting
- Other Lighting

**Outline Dimension**



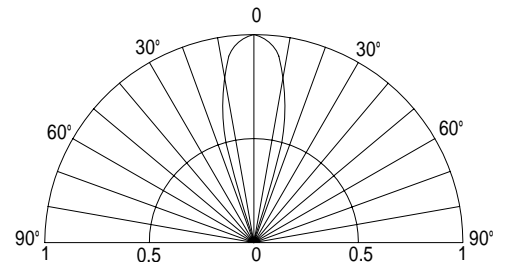
**Absolute Maximum Rating**

( $T_a=25$  )

| Item                       | Symbol    | Value      | Unit |
|----------------------------|-----------|------------|------|
| DC Forward Current         | $I_F$     | 30         | mA   |
| Pulse Forward Current*     | $I_{FP}$  | 100        | mA   |
| Reverse Voltage            | $V_R$     | 5          | V    |
| Power Dissipation          | $P_D$     | 78         | mW   |
| Operating Temperature      | $T_{opr}$ | -30 ~ +85  |      |
| Storage Temperature        | $T_{stg}$ | -40 ~ +100 |      |
| Lead Soldering Temperature | $T_{sol}$ | 260 /5sec  | -    |

\*Pulse width Max 10ms , Duty ratio max 1/10

**Directivity**



**Electrical -Optical Characteristics**

( $T_a=25$  )

| Item                | Symbol          | Condition  | Min. | Typ. | Max. | Unit    |
|---------------------|-----------------|------------|------|------|------|---------|
| DC Forward Voltage  | $V_F$           | $I_F=20mA$ | 1.8  | 2.1  | 2.6  | V       |
| DC Reverse Current  | $I_R$           | $V_R=5V$   | -    | -    | 10   | $\mu A$ |
| Domi. Wavelength*   | $\lambda_D$     | $I_F=20mA$ | 630  | 640  | 650  | nm      |
| Luminous Intensity* | $I_v$           | $I_F=20mA$ | 100  | 150  | -    | mcd     |
| 50% Power Angle     | $2\theta_{1/2}$ | $I_F=20mA$ | -    | 30   | -    | deg     |

\*1 Tolerance of Domi. Wavelength is  $\pm 1$ nm

\*2 Tolerance of luminous intensity is  $\pm 15\%$