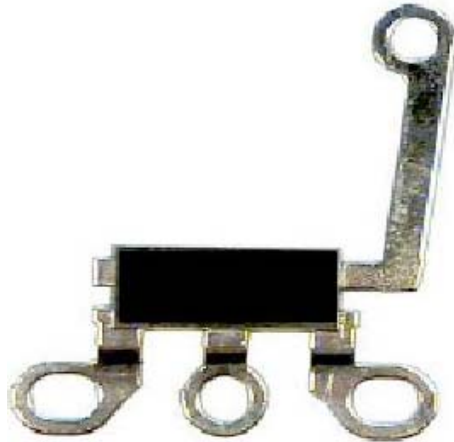
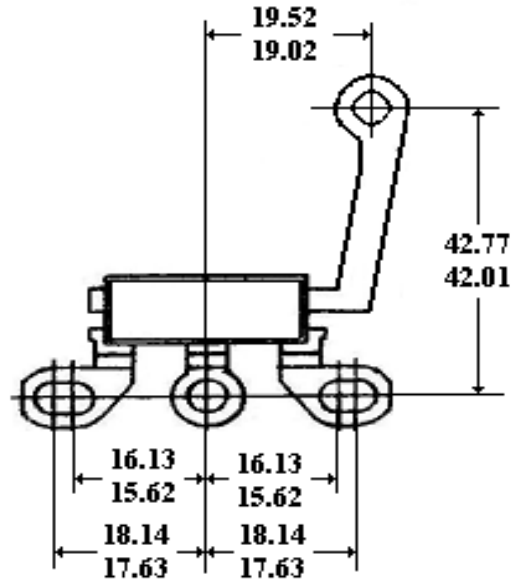


**Description**



**33-113**

**Mechanical Dimensions**



Dimensions in inches and (millimeters)

**Features**

- ★ Low forward voltage drop
- ★ High current capability
- ★ High reliability
- ★ High surge current capability

**Mechanical Data**

- ★ Case: OFC Heat Sink
- ★ Encap: Epoxy Sealed Rated  
UL94V-0
- ★ Weight: 6.5 gram

**MAXIMUM RATINGS AND ELECTRICAL CHARACTERISTICS**

Rating at 25°C ambient temperature unless otherwise specified.

	SYMBOL	FTD110C	UNIT
DC Reverse Voltage, VR	VR	200	V
Maximum RMS Voltage	VRMS	140	V
Peak Rectifier Forward Current Alternator Rated Current	I(AV)	7.5	A
Maximum Inst. Forward Voltage Drop, IF at 80Amp	VF	1.05	V
Maximum DC Reverse Current (VB)@TJ=25 C (VB)@TJ=100°C	IR	5.0 / 500	uA
Operating Junction and Storage Temperature Range	TJ, TSTG	-40 to +155	°C

