



# Product Specification

AU OPTRONICS CORPORATION

B170PW06 V2

( ) Preliminary Specifications

( V ) Final Specifications

<b>Module</b>	17.0" WXGA+ Color TFT-LCD
<b>Model Name</b>	B170PW06 V2

<b>Customer</b>	<b>Date</b>
_____	_____
<b>Checked &amp; Approved by</b>	
_____	_____
Howard Lee	2006/1/26
Note: This Specification is subject to change without notice.	

<b>Approved by</b>	<b>Date</b>
_____	_____
<b>Prepared by</b>	
_____	_____
Maxine Lee	2006/1/26
NBBU Marketing Division / AU Optronics corporation	



## Contents

<b>1. Handling Precautions</b> .....	<b>4</b>
<b>2. General Description</b> .....	<b>5</b>
2.1 General Specification .....	5
2.2 Optical Characteristics .....	6
<b>3. Functional Block Diagram</b> .....	<b>10</b>
<b>4. Absolute Maximum Ratings</b> .....	<b>11</b>
4.1 Absolute Ratings of TFT LCD Module .....	11
4.2 Absolute Ratings of Backlight Unit .....	11
4.3 Absolute Ratings of Environment .....	11
<b>5. Electrical characteristics</b> .....	<b>12</b>
5.1 TFT LCD Module .....	12
5.2 Backlight Unit .....	14
<b>6. Signal Characteristic</b> .....	<b>16</b>
6.1 Pixel Format Image .....	16
6.2 The input data format .....	17
6.3 Signal Description .....	19
6.4 Interface Timing .....	20
6.5 Power ON/OFF Sequence .....	22
<b>7. Connector Description</b> .....	<b>23</b>
7.1 TFT LCD Module .....	23
7.2 Backlight Unit .....	23
7.3 Signal for Lamp connector .....	23
<b>8. Vibration and Shock Test</b> .....	<b>24</b>
8.1 Vibration Test .....	24
8.2 Shock Test Spec: .....	24
<b>9. Reliability</b> .....	<b>25</b>
<b>10. Mechanical Characteristics</b> .....	<b>26</b>
10.1 LCM Outline Dimension .....	26
10.2 Screw Hole Depth and Center Position .....	28
<b>11. Shipping and Package</b> .....	<b>29</b>
11.1 Shipping Label Format .....	29
11.2. Carton Package .....	29
<b>12. Appendix: EDID description</b> .....	<b>30</b>



# Product Specification

AU OPTRONICS CORPORATION

B170PW06 V2

## Record of Revision

Version and Date	Page	Old description	New Description	Remark
V0 2006/11/30		Initial Edition		



## 1. Handling Precautions

- 1) Since front polarizer is easily damaged, pay attention not to scratch it.
- 2) Be sure to turn off power supply when inserting or disconnecting from input connector.
- 3) Wipe off water drop immediately. Long contact with water may cause discoloration or spots.
- 4) When the panel surface is soiled, wipe it with absorbent cotton or other soft cloth.
- 5) Since the panel is made of glass, it may break or crack if dropped or bumped on hard surface.
- 6) Since CMOS LSI is used in this module, take care of static electricity and insure human earth when handling.
- 7) Do not open nor modify the Module Assembly.
- 8) Do not press the reflector sheet at the back of the module to any directions.
- 9) In case if a Module has to be put back into the packing container slot after once it was taken out from the container, do not press the center of the CCFL Reflector edge. Instead, press at the far ends of the CFL Reflector edge softly. Otherwise the TFT Module may be damaged.
- 10) At the insertion or removal of the Signal Interface Connector, be sure not to rotate nor tilt the Interface Connector of the TFT Module.
- 11) After installation of the TFT Module into an enclosure (Notebook PC Bezel, for example), do not twist nor bend the TFT Module even momentary. At designing the enclosure, it should be taken into consideration that no bending/twisting forces are applied to the TFT Module from outside. Otherwise the TFT Module may be damaged.
- 12) Cold cathode fluorescent lamp in LCD contains a small amount of mercury. Please follow local ordinances or regulations for disposal.
- 13) Small amount of materials having no flammability grade is used in the LCD module. The LCD module should be supplied by power complied with requirements of Limited Power Source (IEC60950 or UL1950), or be applied exemption.
- 14) The LCD module is designed so that the CCFL in it is supplied by Limited Current Circuit (IEC60950 or UL1950). Do not connect the CCFL in Hazardous Voltage Circuit.



# Product Specification

AU OPTRONICS CORPORATION

B170PW06 V2

## 2. General Description

B170PW06 V2 is a Color Active Matrix Liquid Crystal Display composed of a TFT LCD panel, a driver circuit, and backlight system. The screen format is intended to support the WXGA+ (1440(H) x 900(V)) screen and 262k colors (RGB 6-bits data driver). All input signals are LVDS interface compatible. Inverter of backlight is not included.

B170PW06 V2 is designed for a display unit of notebook style personal computer and industrial machine.

## 2.1 General Specification

The following items are characteristics summary on the table at 25 °C condition:

Items	Unit	Specifications
Screen Diagonal	[mm]	391 (17.0W")
Active Area	[mm]	367.20(H) X 229.50(V)
Pixels H x V		1440x3(RGB)x900
Pixel Pitch	[mm]	0.255X0.255
Pixel Arrangement		R.G.B. Vertical Stripe
Display Mode		Normally White
White Luminance (I <sub>CCFL</sub> =6.5mA) Note: I <sub>CCFL</sub> is lamp current	[cd/m <sup>2</sup> ]	220 typ. (5 points average) 200 min. (5 points average) (Note1)
Luminance Uniformity		1.2 max. (5 points)
Contrast Ratio		500 typ
Optical Rise Time/Fall Time	[msec]	8ms typ. (14ms max)
Nominal Input Voltage VDD	[Volt]	+3.3 typ. (+3.0 min, +3.6 max)
Power Consumption	[Watt]	7 typ (without inverter)
Weight	[Grams]	660 typ. (700 max)
Physical Size	[mm]	TYP: 382.2(W)x244.5(H)x6.4 (D) MAX:382.7(W)x245.0(H)x7.0 (D)
Electrical Interface		2 channel LVDS
Surface Treatment		Glare, Hard Coating (3H)
Support Color		Native 262K colors ( RGB 6-bit Data driver)
Temperature Range Operating Storage (Non-Operating)	[°C] [°C]	0 to +50 -20 to +60
RoHS Compliance		RoHS Compliance



# Product Specification

AU OPTRONICS CORPORATION

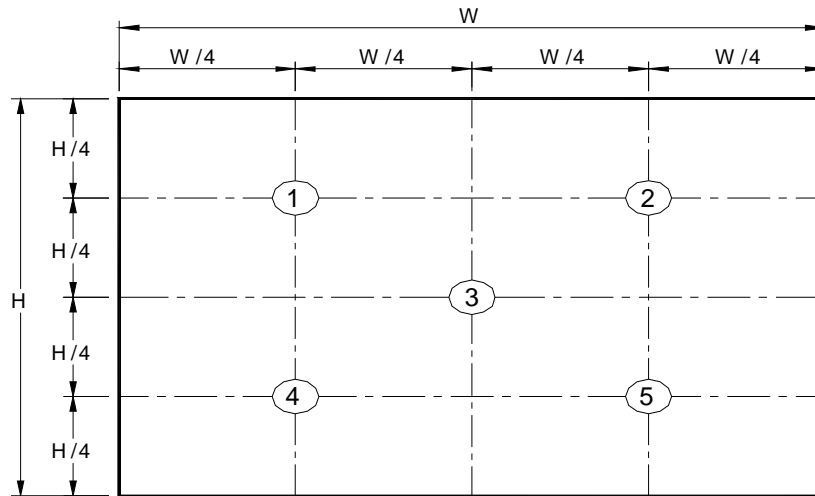
B170PW06 V2

## 2.2 Optical Characteristics

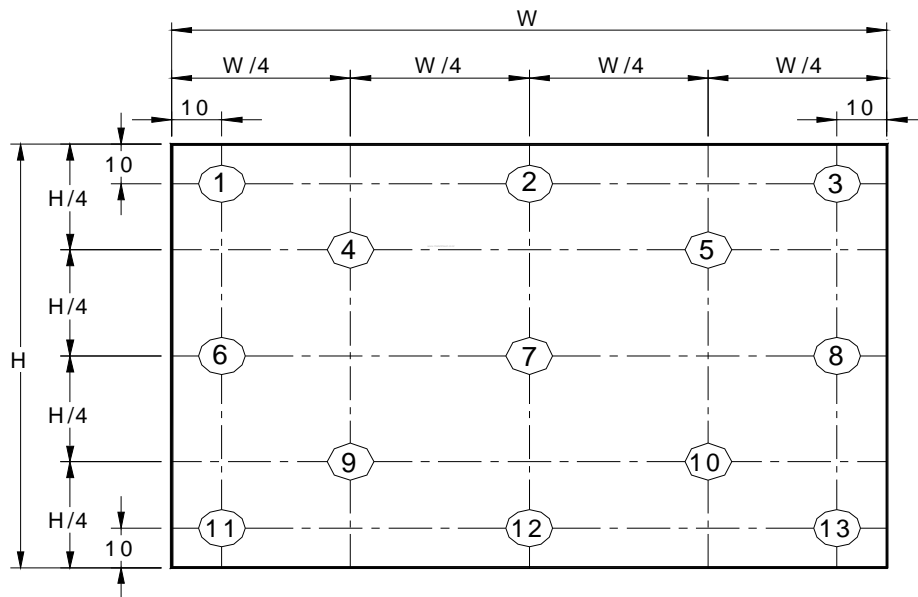
The optical characteristics are measured under stable conditions at 25°C (Room Temperature):

Item	Unit	Conditions	Min.	Typ.	Max.	Note
White Luminance I <sub>CCFL</sub> =6.5mA	[cd/m <sup>2</sup> ]	5 points average	200	220	-	1, 4, 8
Viewing Angle	[degree]	Horizontal (Right) CR = 10 (Left)	40	45	-	7
	[degree]		40	45	-	
	[degree]	Vertical (Upper) CR = 10 (Lower)	15	20	-	
	[degree]		30	35	-	
Luminance Uniformity		5 Points			1.2	1,3
Luminance Uniformity		13 Points			1.5	2,3
CR: Contrast Ratio			400	500	-	4
Cross talk	%				4	5
Response Time	[msec]	Rising	-	2	5	6
	[msec]	Falling	-	6	9	
	[msec]	Rising + Falling		8	14	
Color / Chromaticity Coordinates (CIE 1931)		Red x	0.560	0.590	0.620	2,7
		Red y	0.315	0.345	0.375	
		Green x	0.285	0.315	0.345	
		Green y	0.525	0.555	0.585	
		Blue x	0.125	0.155	0.185	
		Blue y	0.125	0.155	0.185	
		White x	0.283	0.313	0.343	
		White y	0.299	0.329	0.359	

Note 1: 5 points position (Display area : 367.20(H) X 229.50(V))mm



Note 2: 13 points position



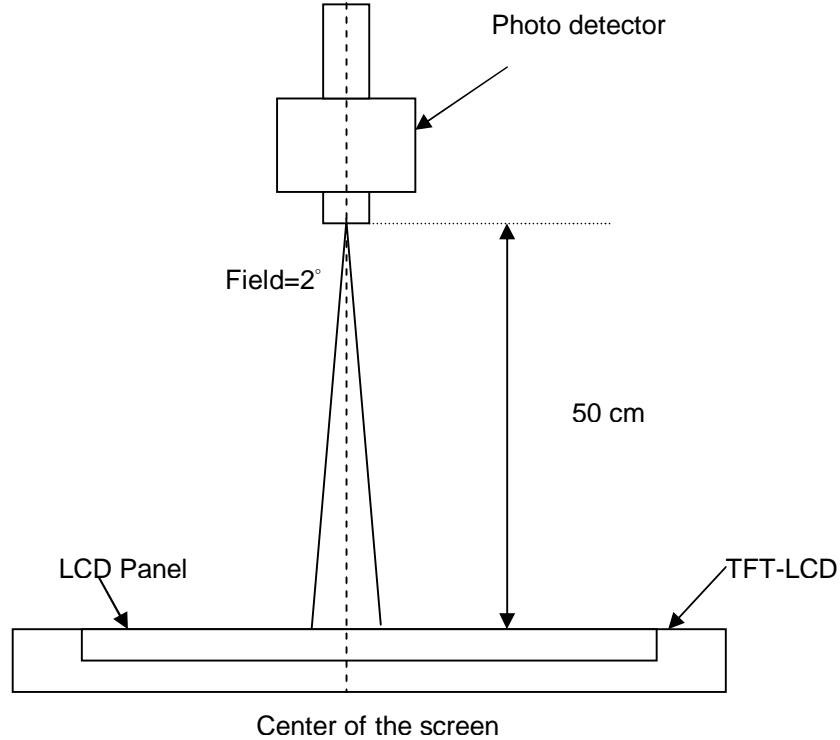
Note 3: The luminance uniformity of 5 and 13 points is defined by dividing the maximum luminance values by the minimum test point luminance

$$\delta_{W5} = \frac{\text{Maximum Brightness of five points}}{\text{Minimum Brightness of five points}}$$

$$\delta_{W13} = \frac{\text{Maximum Brightness of thirteen points}}{\text{Minimum Brightness of thirteen points}}$$

**Note 4: Measurement method**

The LCD module should be stabilized at given temperature for 30 minutes to avoid abrupt temperature change during measuring. In order to stabilize the luminance, the measurement should be executed after lighting Backlight for 30 minutes in a stable, windless and dark room.



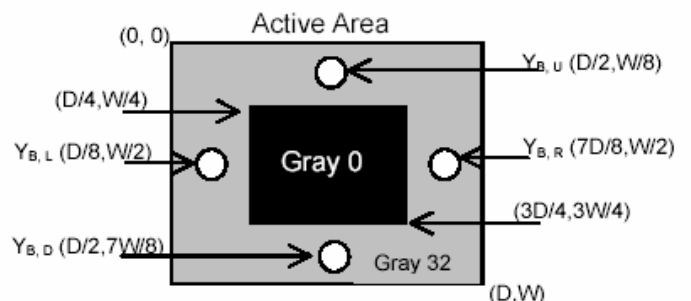
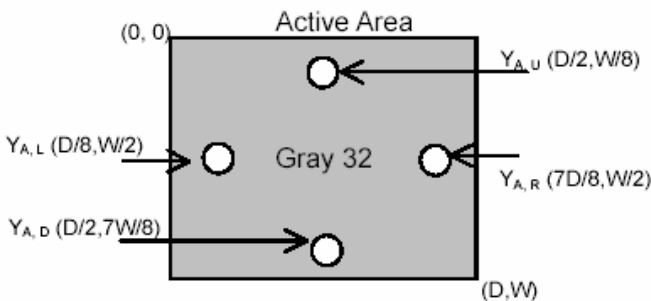
**Note 5 : Definition of Cross Talk (CT)**

$$CT = | Y_B - Y_A | / Y_A \times 100 (\%)$$

Where

$Y_A$  = Luminance of measured location without gray level 0 pattern (cd/m<sup>2</sup>)

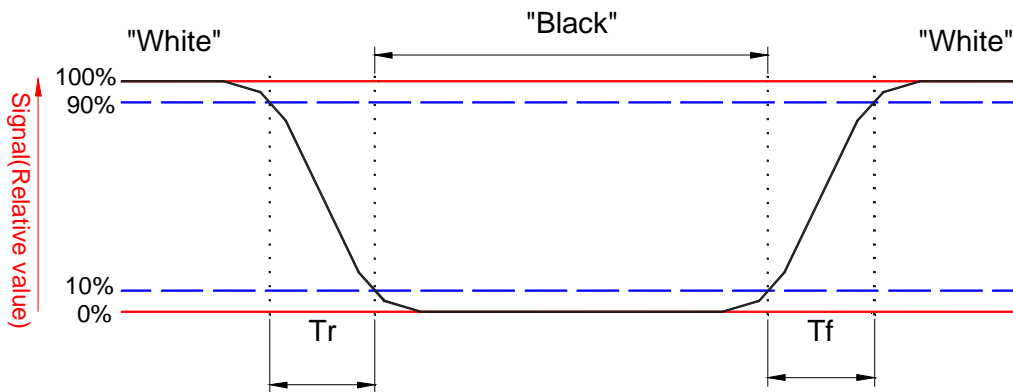
$Y_B$  = Luminance of measured location with gray level 0 pattern (cd/m<sup>2</sup>)





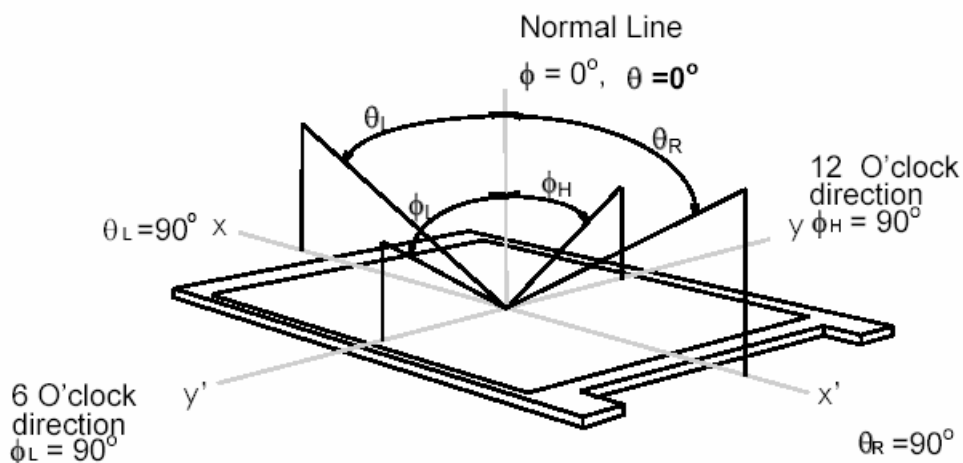
Note 6: Definition of response time:

The output signals of BM-7 or equivalent are measured when the input signals are changed from "Black" to "White" (falling time) and from "White" to "Black" (rising time), respectively. The response time interval between the 10% and 90% of amplitudes. Refer to figure as below.



Note 7. Definition of viewing angle

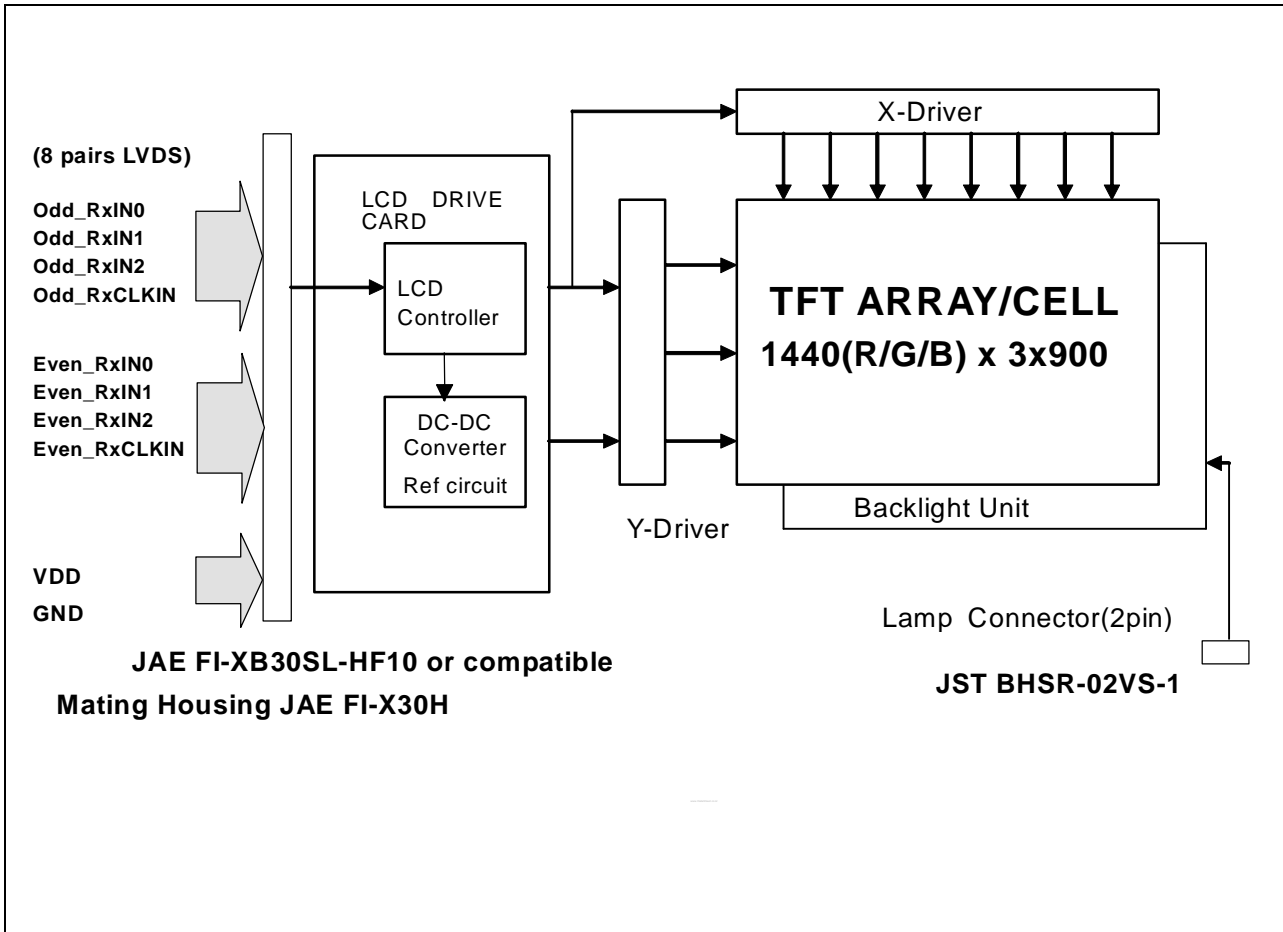
Viewing angle is the measurement of contrast ratio  $\geq 10$ , at the screen center, over a 180° horizontal and 180° vertical range (off-normal viewing angles). The 180° viewing angle range is broken down as follows; 90° ( $\theta$ ) horizontal left and right and 90° ( $\Phi$ ) vertical, high (up) and low (down). The measurement direction is typically perpendicular to the display surface with the screen rotated about its center to develop the desired measurement viewing angle.



Note 8. Brightness measured with Foxconn inverter T73I019.01, under 6.5mA lamp current input.

## 3. Functional Block Diagram

The following diagram shows the functional block of the 17.0 inches wide Color TFT/LCD Module:



## 4. Absolute Maximum Ratings

Absolute maximum rating of the module is as following:

### 4.1 Absolute Ratings of TFT LCD Module

Item	Symbol	Min	Max	Unit	Conditions
Logic/LCD Drive	Vin	-0.3	+4.0	[Volt]	Note 1,2

### 4.2 Absolute Ratings of Backlight Unit

Item	Symbol	Min	Max	Unit	Conditions
CCFL Current	ICCFL	-	7	[mA] rms	Note 1,2

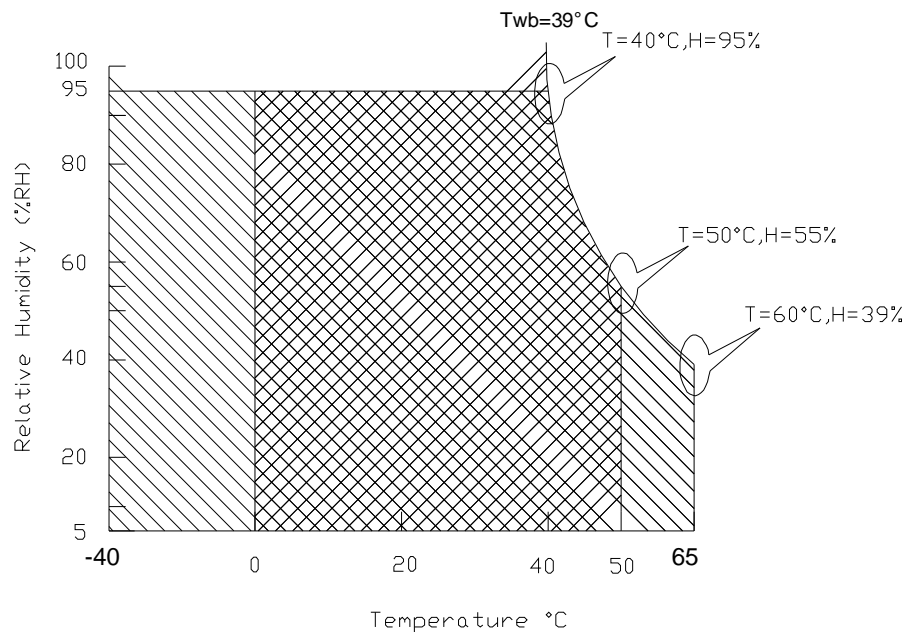
### 4.3 Absolute Ratings of Environment

Item	Symbol	Min	Max	Unit	Conditions
Operating Temperature	TOP	0	+50	[°C]	Note 3
Operation Humidity	HOP	5	95	[%RH]	Note 3
Storage Temperature	TST	-20	+60	[°C]	Note 3
Storage Humidity	HST	5	95	[%RH]	Note 3

Note 1: Within Ta (25°C )

Note 2: Permanent damage to the device may occur if exceed maximum values

Note 3: For quality performance, please refer to AUO IIS(Incoming Inspection Standard).



Operating Range



Storage Range



## 5. Electrical characteristics

### 5.1 TFT LCD Module

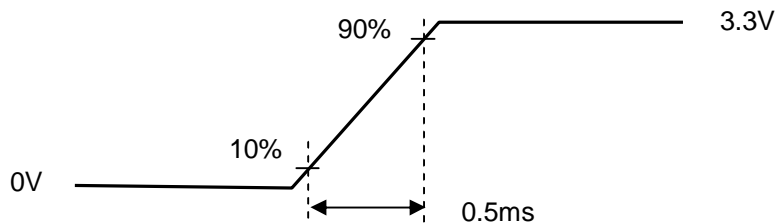
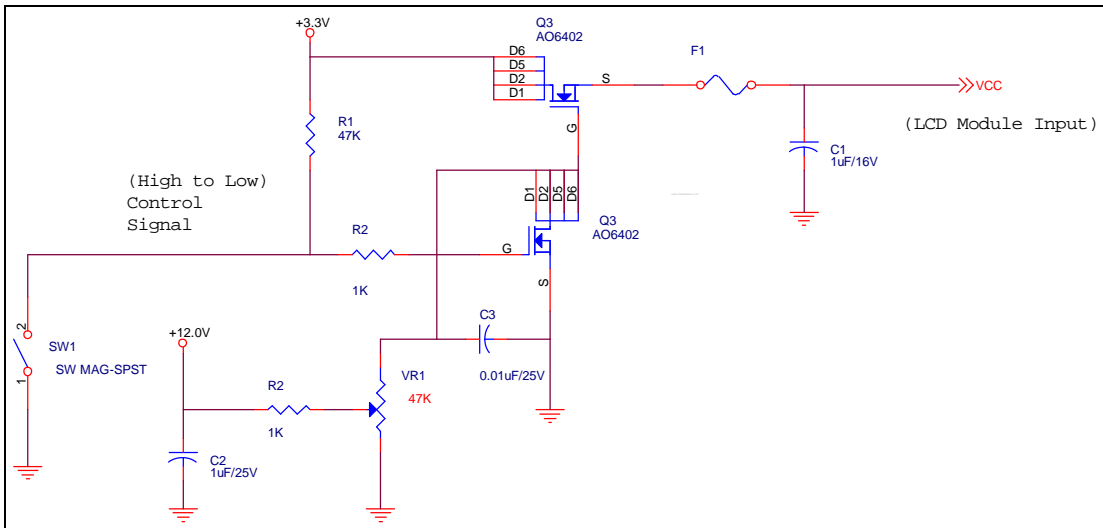
#### 5.1.1 Power Specification

Input power specifications are as follows;

Symble	Parameter	Min	Typ	Max	Units	Note
VDD	Logic/LCD Drive Voltage	3.0	3.3	3.6	[Volt]	
PDD	VDD Power			2.1	[Watt]	Note 1
IDD	IDD Current		580	680	[mA]	Note 1 , VDD=3.3 V
IRush	Inrush Current			2000	[mA]	Note 2
VDDrp	Allowable Logic/LCD Drive Ripple Voltage			100	[mV] p-p	

Note 1 : Maximum Measurement Condition : Black Pattern

Note 2 : Measure Condition



Vin rising time

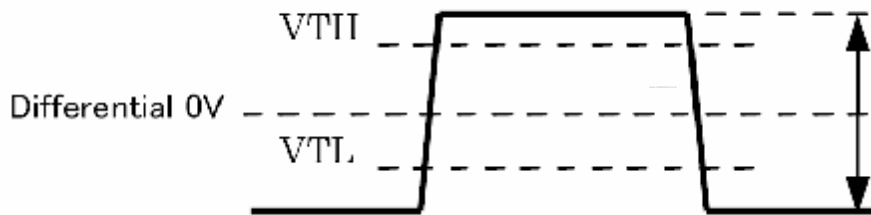
## 5.1.2 Signal Electrical Characteristics

Input signals shall be low or High-impedance state when VDD is off.

Signal electrical characteristics are as follows;

Parameter	Condition	Min	Max	Unit
Vth	Differential Input High Threshold (Vcm=+1.2V)		100	[mV]
Vtl	Differential Input Low Threshold (Vcm=+1.2V)	-100		[mV]
Vcm	Differential Input Common Mode Voltage	1.1	1.45	[V]

Note: LVDS Differential Voltage



## 5.2 Backlight Unit

Parameter guideline for CCFL Inverter

Parameter	Min	Typ	Max	Units	Condition
White Luminance	2250	2450	—	[cd/m <sup>2</sup> ]	(Ta=25°C) Note 1
CCFL current(ICCFL)	3.0	6.5	7.0	[mA] rms	(Ta=25°C) Note 2
CCFL Frequency (FCCFL)	40	60	80	[KHz]	(Ta=25°C) Note 3,4
CCFL Ignition Voltage (Vs)	—	—	1700	[Volt] rms	(Ta= 0°C) Note 5
CCFL Ignition Voltage(Vs)	—	—	1310	[Volt] rms	(Ta= 25°C) Note 5
CCFL Voltage (Reference)	666	740	814	[Volt] rms	(Ta=25°C) Note 6
CCFL Power consumption	2.22	4.8	5.2	[Watt]	(Ta=25°C) Note 6
CCFL Set up Time	1	—	—	[Sec]	

Note 1: Typ are AUO recommended Design Points.

\*1 All of characteristics listed are measured under the condition using the AUO Test inverter.

\*2 In case of using an inverter other than listed, it is recommended to check the inverter carefully. Sometimes, interfering noise stripes appear on the screen, and substandard luminance or flicker at low power may happen.

\*3 In designing an inverter, it is suggested to check safety circuit very carefully. Impedance of CCFL, for instance, becomes more than 1 [M ohm] when CFL is damaged.

\*4 Generally, CCFL has some amount of delay time after applying kick-off voltage. It is recommended to keep on applying kick-off voltage for 1 [Sec] until discharge.

\*5 CCFL discharge frequency must be carefully chosen so as not to produce interfering noise stripes on the screen.

\*6 Reducing CCFL current increases CCFL discharge voltage and generally increases CCFL discharge frequency. So all the parameters of an inverter should be carefully designed so as not to produce too much leakage current from high-voltage output of the inverter.

Note 2: It should be employed the inverter which has “Duty Dimming”, if ICCFL is less than 4mA.

Note 3: CCFL discharge frequency should be carefully determined to avoid interference between inverter and TFT LCD.

Note 4: The frequency range will not affect to lamp life and reliability characteristics.

## B170PW06 V2

Note 5: CCFL inverter should be able to give out a power that has a generating capacity of over 1,430 voltage. Lamp units need 1,400 voltage minimum for ignition.

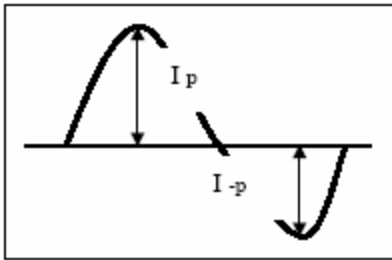
Note 6: Calculator value for reference ( $I_{CCFL} \times V_{CCFL} = P_{CCFL}$ )

Note 7: Requirements for a system inverter design, which is intended to have a better display performance, a better power efficiency and a more reliable lamp, are following.

It shall help increase the lamp lifetime and reduce leakage current.

- a. The asymmetry rate of the inverter waveform should be less than 10%.
- b. The distortion rate of the waveform should be within  $\sqrt{2} \pm 10\%$ .

\* Inverter output waveform had better be more similar to ideal sine wave.



\* Asymmetry rate:

$$\frac{|I_p - I_{-p}|}{I_{rms}} * 100\%$$

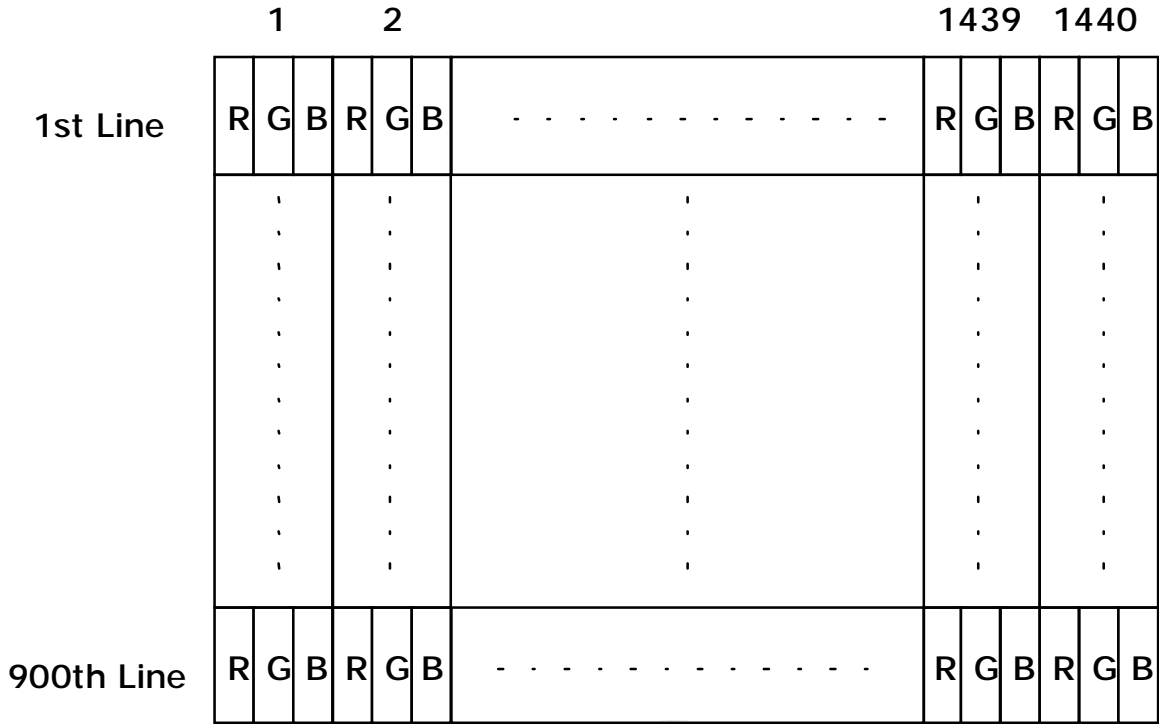
\* Distortion rate

$$I_p \text{ (or } I_{-p}) / I_{rms}$$

## 6. Signal Characteristic

### 6.1 Pixel Format Image

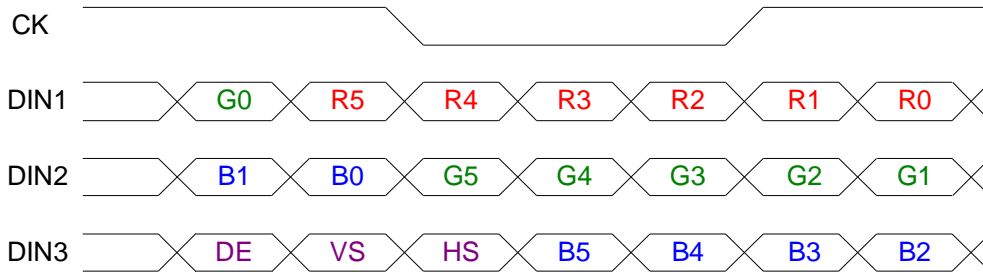
Following figure shows the relationship of the input signals and LCD pixel format.



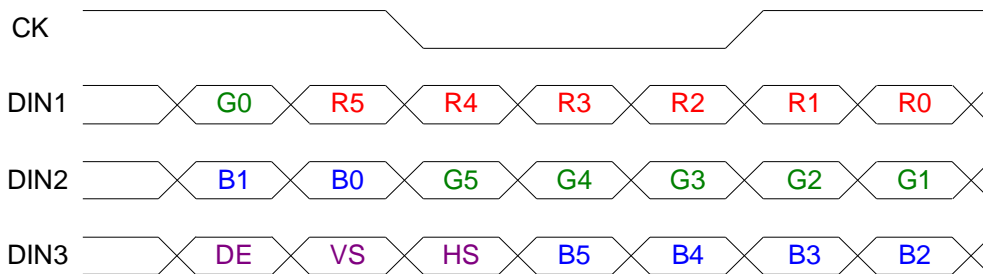


## 6.2 The input data format

### ODD pair( 1st pixel input)



### Even pair(2nd pixel input)



Signal Name	Description	
R5 R4 R3 R2 R1 R0	Red Data 5 (MSB) Red Data 4 Red Data 3 Red Data 2 Red Data 1 Red Data 0 (LSB) <b>Red-pixel Data</b>	Red-pixel Data Each red pixel's brightness data consists of these 6 bits pixel data.
G5 G4 G3 G2 G1 G0	Green Data 5 (MSB) Green Data 4 Green Data 3 Green Data 2 Green Data 1 Green Data 0 (LSB) <b>Green-pixel Data</b>	Green-pixel Data Each green pixel's brightness data consists of these 6 bits pixel data.
B5 B4 B3 B2 B1 B0	Blue Data 5 (MSB) Blue Data 4 Blue Data 3 Blue Data 2 Blue Data 1 Blue Data 0 (LSB) <b>Blue-pixel Data</b>	Blue-pixel Data Each blue pixel's brightness data consists of these 6 bits pixel data.
RxCLKIN	<b>Data Clock</b>	The typical frequency is 48.2 MHz. The signal is used to strobe the pixel data and DSPTMG signals. All pixel data shall be valid at the falling edge when the DSPTMG signal is high.



# Product Specification

AU OPTRONICS CORPORATION

## B170PW06 V2

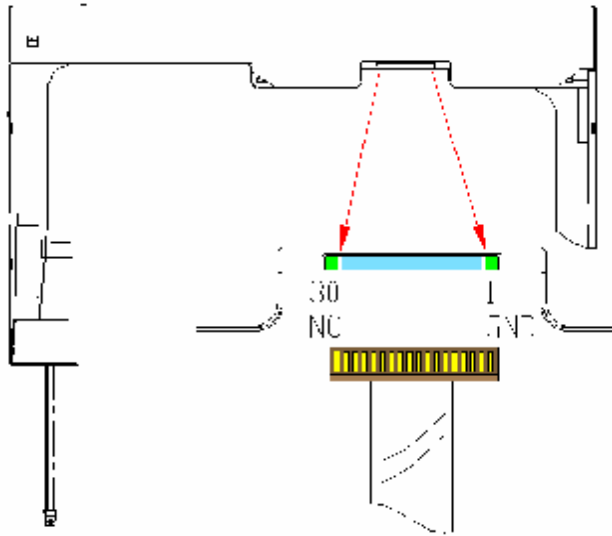
DE	<b>Display Timing</b>	This signal is strobed at the falling edge of -DTCLK. When the signal is high, the pixel data shall be valid to be displayed.
VS	<b>Vertical Sync</b>	The signal is synchronized to -DTCLK .
HS	<b>Horizontal Sync</b>	The signal is synchronized to -DTCLK .

Note: Output signals from any system shall be low or Hi-Z state when VDD is off.

## 6.3 Signal Description

LVDS is a differential signal technology for LCD interface and high speed data transfer device.

Pin no	Symbol	Function	Etc.
1	GND	Ground	
2	VDD	Power supply ,3.3 V (typical)	
3	VDD	Power supply ,3.3 V (typical)	
4	V <sub>EDID</sub>	DDC 3.3V power	
5	NC	No Connection (Reserved for AUO) test	
6	CLK <sub>EDID</sub>	DDC Clock	
7	Data <sub>EDID</sub>	DDC data	
8	Odd_RxIN0-	-LVDS differential data input	
9	Odd_RxIN0+	+LVDS differential data input	
10	GND	Ground	
11	Odd_RxIN1-	-LVDS differential data input	
12	Odd_RxIN1+	+LVDS differential data input	
13	GND	Ground	
14	Odd_RxIN2-	-LVDS differential data input	
15	Odd_RxIN2+	+LVDS differential data input	
16	GND	Ground	
17	Odd_RxCLKIN-	-LVDS differential clock input	
18	Odd_RxCLKIN+	+LVDS differential clock input	
19	GND	Ground	
20	Even_RxIN0-	-LVDS differential data input	
21	Even_RxIN0+	+LVDS differential data input	
22	GND	Ground	
23	Even_RxIN1-	-LVDS differential data input	
24	Even_RxIN1+	+LVDS differential data input	
25	GND	Ground	
26	Even_RxIN2-	-LVDS differential data input	
27	Even_RxIN2+	+LVDS differential data input	
28	GND	Ground	
29	Even_RxCLKIN-	-LVDS differential clock input	
30	Even_RxCLKIN+	+LVDS differential clock input	



Note1: Start from right side

Note2: Please follow VESA standard.

Note3: Input signals shall be low or High-impedance when VDD is off.

Internal circuit of LVDS inputs are as following.

The module uses a 100ohm resistor between positive and negative data lines of each receiver input

## 6.4 Interface Timing

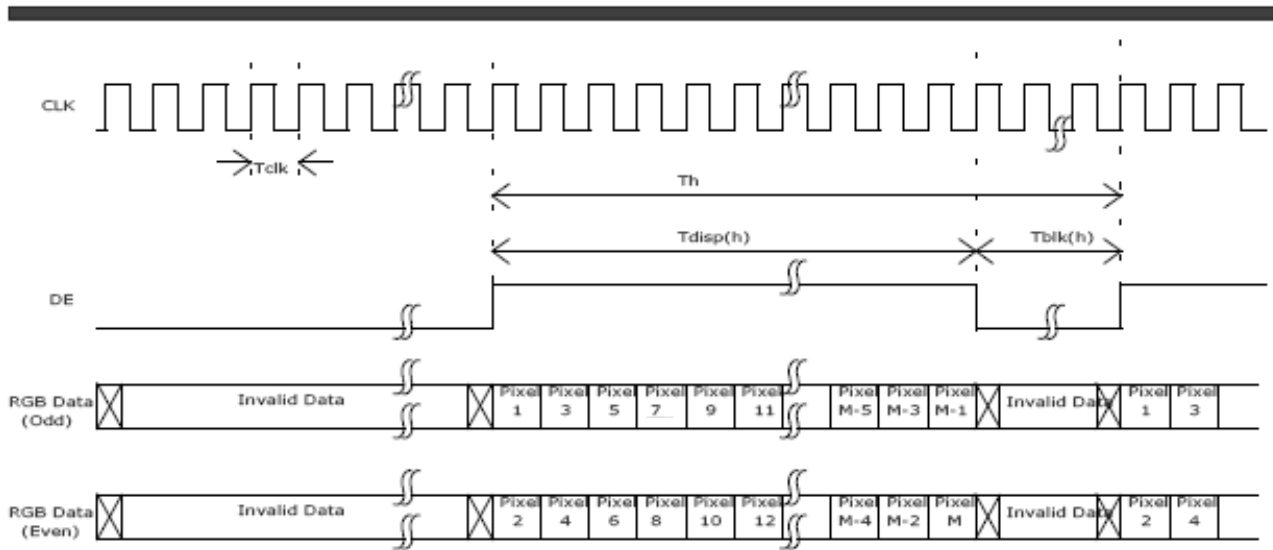
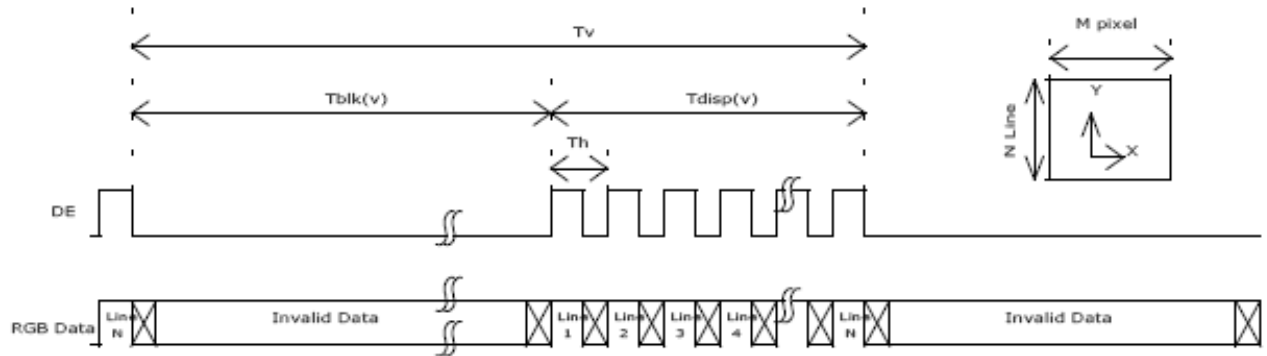
### 6.4.1 Timing Characteristics

Basically, interface timings should match the 1440x900 manufacturing guide line timing.

Signal	Item	Symbol	Min	Typ	Max	Unit
Vertical Section	Period	Tv	904	912	2048	Th
	Active	Tdisp(v)	900	900	900	Th
	Blanking	Tblk(v)	4	12	-	Th
Horizontal Section	Period	Th	760	880	1024	Tclk
	Active	Tdisp(h)	720	720	720	Tclk
	Blanking	Tblk(h)	40	160	-	Tclk
Clock	Period	Tclk	16.61	20.75	-	Ns
	Frequency@60Hz	Freq	-	48.2	60.2	MHz

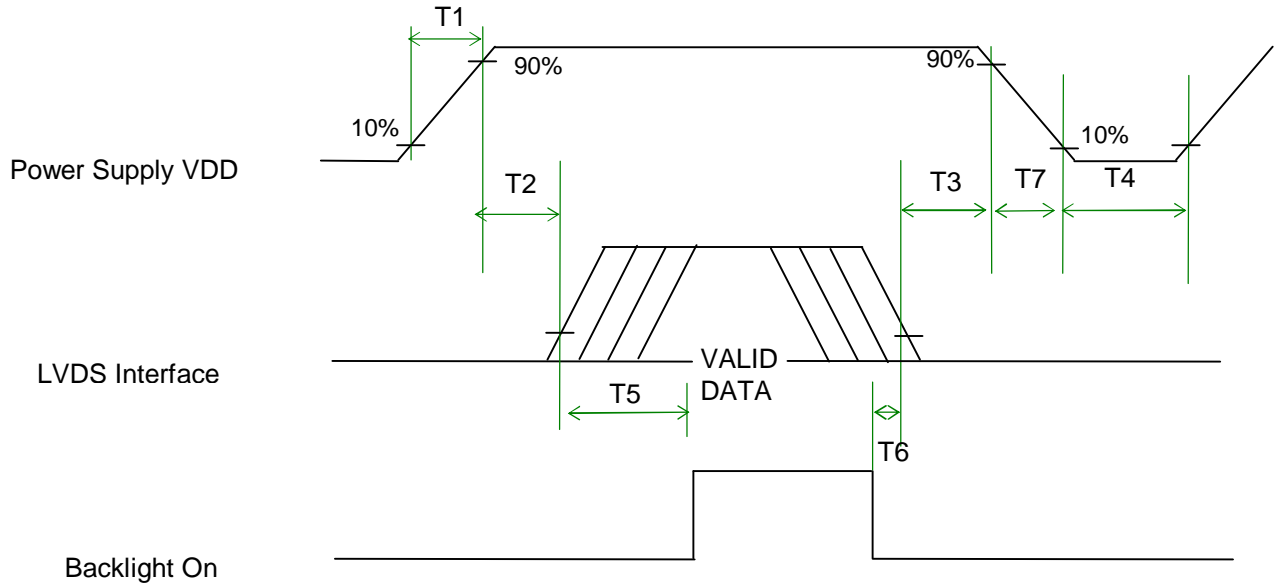
**Note** : DE mode only

## 6.4.2 Timing diagram



## 6.5 Power ON/OFF Sequence

VDD power and lamp on/off sequence is as follows. Interface signals are also shown in the chart. Signals from any system shall be Hi-Z state or low level when VDD is off.



### Power Sequence Timing

Parameter	Value			Units
	Min.	Typ.	Max.	
T1	0.5	-	10	(ms)
T2	0	-	50	(ms)
T3	0	-	50	(ms)
T4	500	-	-	(ms)
T5	200	-	-	(ms)
T6	200	-	-	(ms)
T7	0	-	10	(ms)

## 7. Connector Description

Physical interface is described as for the connector on module.

These connectors are capable of accommodating the following signals and will be following components.

### 7.1 TFT LCD Module

Connector Name / Designation	For Signal Connector
Manufacturer	JAE or compatible
Type / Part Number	FI-XB30SL-HF10 or compatible
Mating Housing/Part Number	FI-X30H
Mating Contact/Part Number	FI-XC3-1-15000

### 7.2 Backlight Unit

Physical interface is described as for the connector on module.

These connectors are capable of accommodating the following signals and will be following components.

Connector Name / Designation	For Lamp Connector
Manufacturer	JST
Type / Part Number	BHSR-02VS-1
Mating Type / Part Number	SM02B-BHSS-1-TB

### 7.3 Signal for Lamp connector

Pin #	Cable color	Signal Name
1	Red	Lamp High Voltage
2	White	Lamp Low Voltage



## 8. Vibration and Shock Test

### 8.1 Vibration Test

**Test Spec:**

- I Test method: Non-Operation
- I Acceleration: 1.5G
- I Frequency: 10 - 500Hz Random
- I Sweep: 30 Minutes each Axis (X, Y, Z)

### 8.2 Shock Test Spec:

**Test Spec:**

- I Test method: Non-Operation
- I Acceleration: 180 G , Half sine wave
- I Active time: 2 ms
- I Pulse: X,Y,Z .one time for each side



## 9. Reliability

Items	Required Conditions
Operating Life – High Temp.	Temp.= +50°C, Dynamic. 250 Hours, Humidity 20%
Operating Life – Low Temp.	Temp.= 0°C, Dynamic, 250 Hours, Humidity 20%
High Temp. Storage Life – Non-Operating	Temp.= +60°C, Non-Operating, 250 Hours, Humidity 20%
Low Temp. Storage Life – Non-Operating	Temp.= -20°C, Non-Operating, 250 Hours
High Temp & High Humidity Operating Life	Temp.=+40°C, Dynamic Humidity 95%(Non-Condensing), 250 Hours
Shock – Non-Operating	180g, 2.0 ms, Half Sine Wave
Vibration – Non-Operating	Random vibration, 1.5 G zero-to-peak, 10 to 500 Hz, 30 minutes in each of three mutually perpendicular axes
Temp. Cycle – Non-Operating	-20°C to +60°C, Ramp ≤20°C/min, Duration at Temp. = 30min, Test Cycles = 50
ESD	Contact : ±8KV/ operation Air : ±15KV / operation
Room temperature Test	25°C, 2000hours, Operating with loop pattern

Note1: According to EN61000-4-2 , ESD class B: Some performance degradation allowed. No data lost  
. Self-recoverable. No hardware failures.

Note2: CCFL Life time: 12,000 hours minimum under normal module usage.

Note3: MTBF (Excluding the CCFL): 30,000 hours with a confidence level 90%



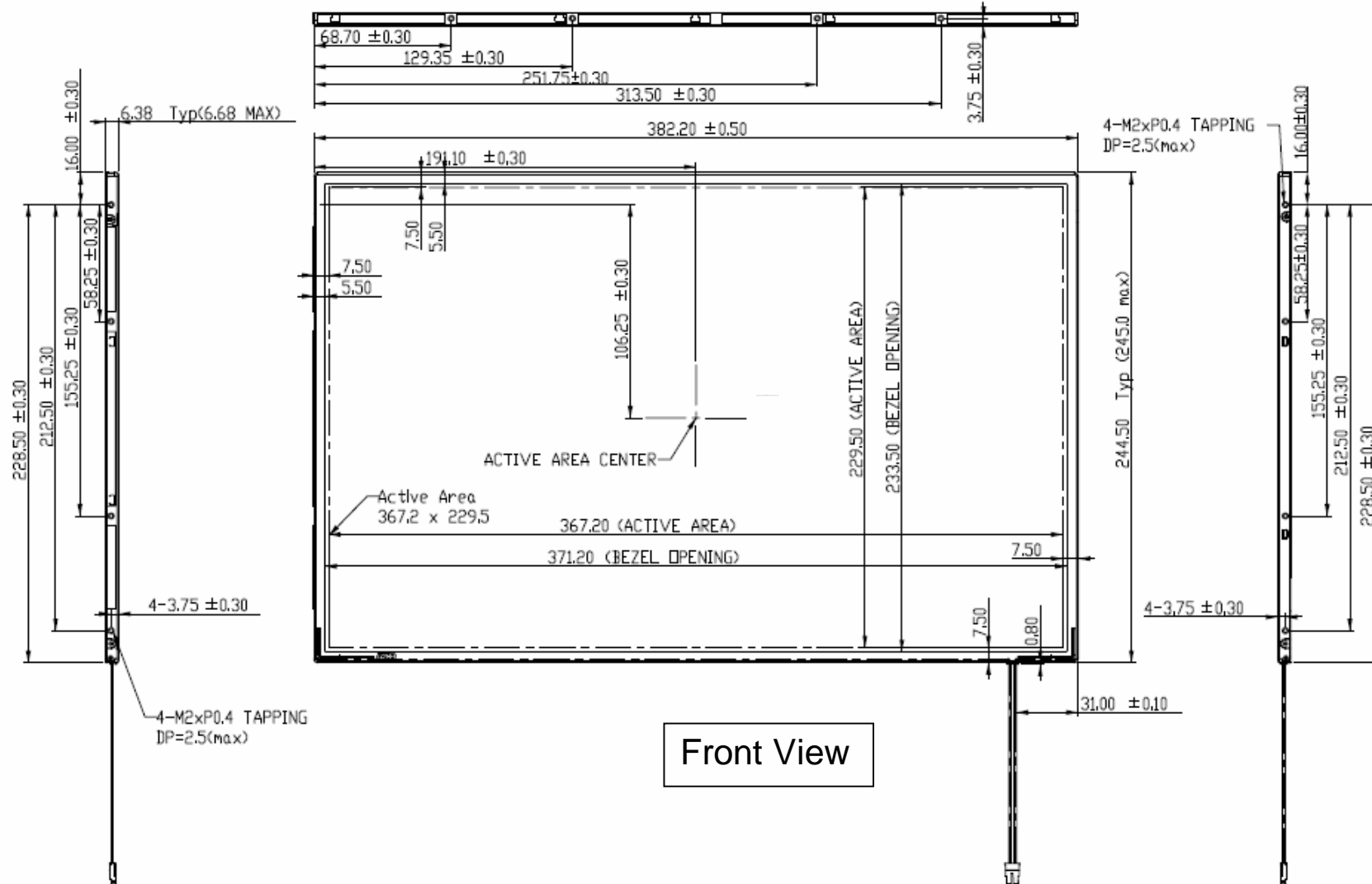
# Product Specification

AU OPTRONICS CORPORATION

B170PW06 V2

## 10. Mechanical Characteristics

### 10.1 LCM Outline Dimension



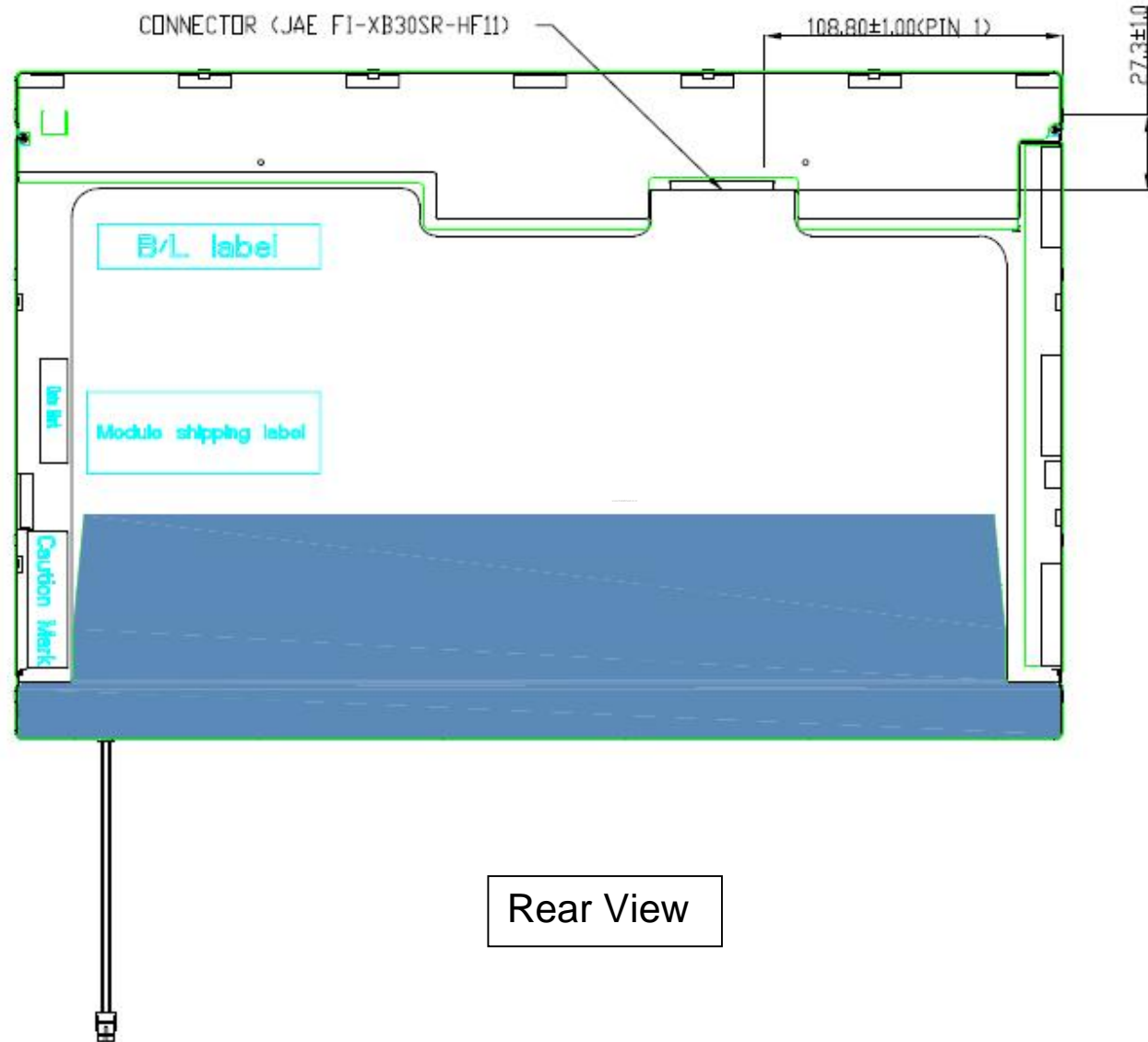
Front View



# Product Specification

AU OPTRONICS CORPORATION

R170PW06 V2



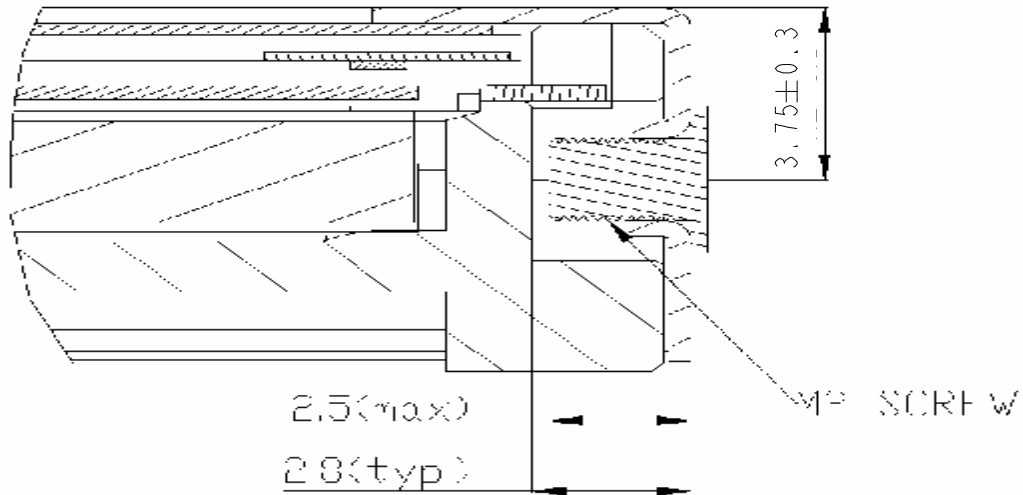
## 10.2 Screw Hole Depth and Center Position

Screw hole minimum depth, from side surface = 2.8 mm (See drawing)

Screw hole center location, from front surface =  $3.75 \pm 0.3$  mm (See drawing)

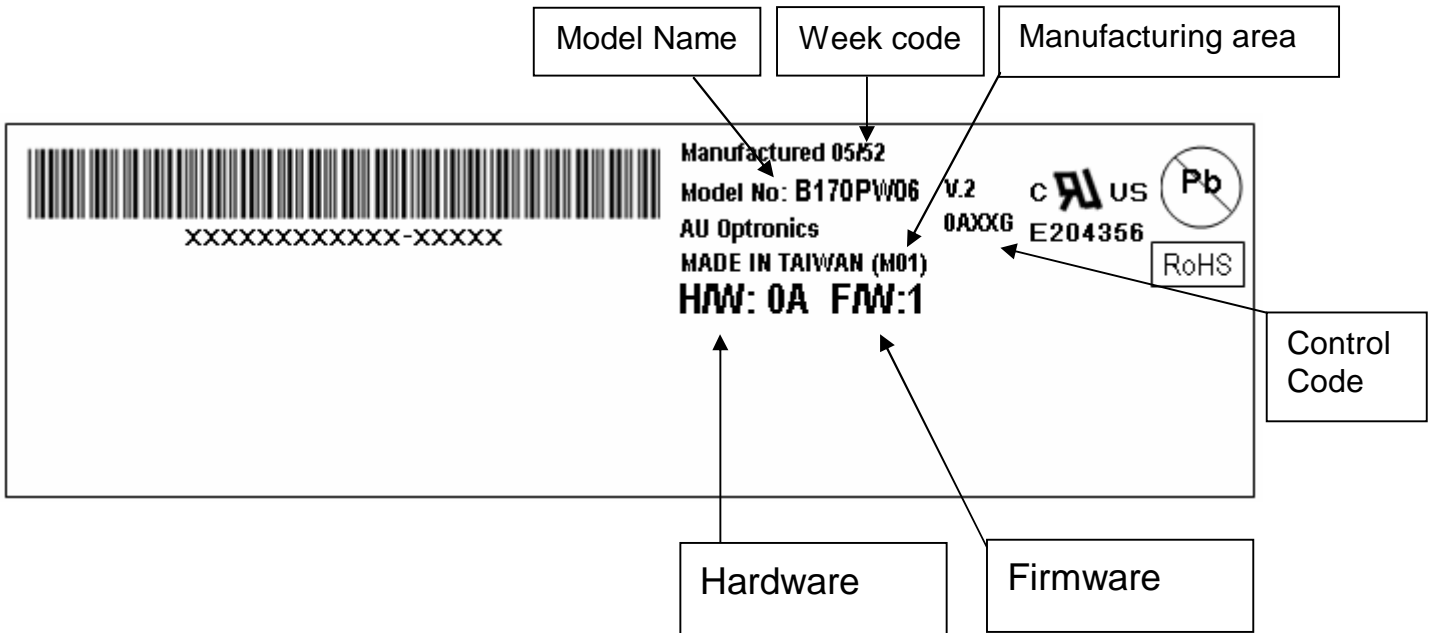
Screw maximum length = 2.5 mm (See drawing)

Screw Torque: Maximum 2.5 kgzf-cm



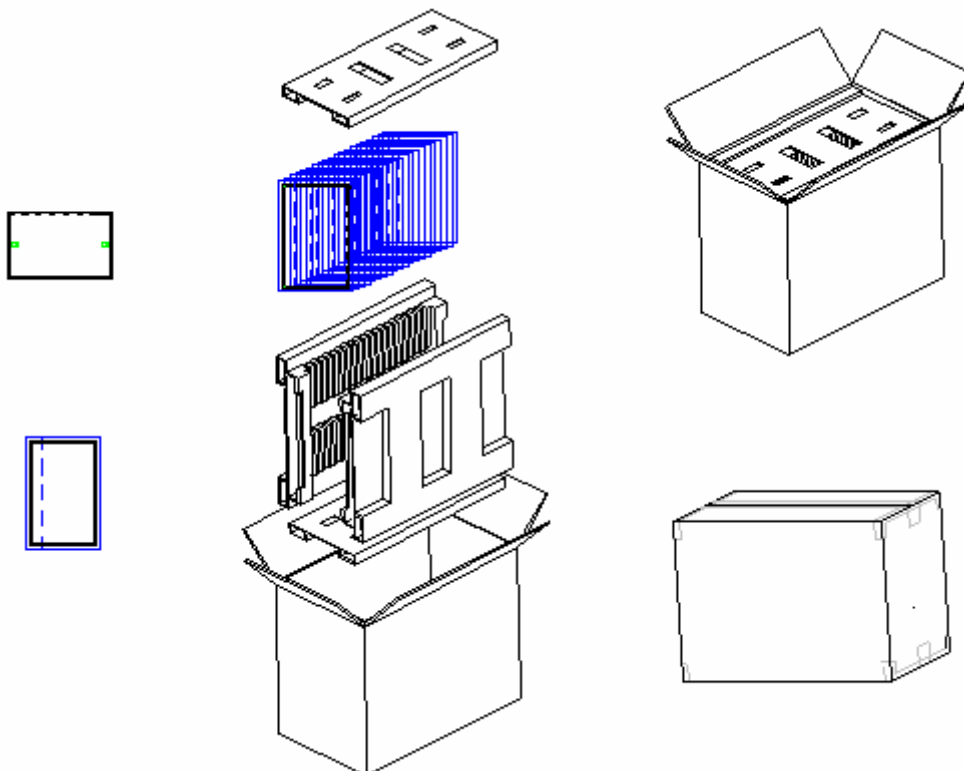
## 11. Shipping and Package

### 11.1 Shipping Label Format



### 11.2. Carton Package

Packing is 20 pcs / box.





# Product Specification

AU OPTRONICS CORPORATION

B170PW06 V2

## 12. Appendix: EDID description

Address	FUNCTION	B170PW06 V2	Value	Value	Note
HEX		HEX	BIN	DEC	
00	Header	00	00000000	0	
01		FF	11111111	255	
02		FF	11111111	255	
03		FF	11111111	255	
04		FF	11111111	255	
05		FF	11111111	255	
06		FF	11111111	255	
07		00	00000000	0	
08	EISA Manuf. Code LSB	06	00000110	6	
09	Compressed ASCII	AF	10101111	175	
0A	Product Code	87	10000111	135	
0B	hex, LSB first	62	01100010	98	
0C	32-bit ser #	00	00000000	0	
0D		00	00000000	0	
0E		00	00000000	0	
0F		00	00000000	0	
10	Week of manufacture	01	00000001	1	
11	Year of manufacture	11	00010001	17	
12	EDID Structure Ver.	01	00000001	1	
13	EDID revision #	03	00000011	3	
14	<b>Video input def.</b> ( <i>digital I/P, non-TMDS, CRGB</i> )	80	10000000	128	
15	<b>Max H image size</b> ( <i>rounded to cm</i> )	25	00100101	37	
16	<b>Max V image size</b> ( <i>rounded to cm</i> )	17	00010111	23	
17	<b>Display Gamma</b> ( <i>=(gamma*100)-100</i> )	78	01111000	120	
18	<b>Feature support</b> ( <i>no DPMS, Active OFF, RGB, tmg Blk#1</i> )	0A	00001010	10	
19	Red/green low bits ( <b>Lower 2:2:2 bits</b> )	1C	00011100	28	
1A	Blue/white low bits ( <b>Lower 2:2:2 bits</b> )	F5	11110101	245	
1B	Red x ( <b>Upper 8 bits</b> )	97	10010111	151	
1C	Red y/ highER 8 bits	58	01011000	88	
1D	Green x	50	01010000	80	
1E	Green y	8E	10001110	142	
1F	Blue x	27	00100111	39	
20	Blue y	27	00100111	39	
21	White x	50	01010000	80	
22	White y	54	01010100	84	
23	Established timing 1	00	00000000	0	
24	Established timing 2	00	00000000	0	
25	Established timing 3	00	00000000	0	
26	Standard timing #1	01	00000001	1	



# Product Specification

AU OPTRONICS CORPORATION

B170PW06 V2

27		01	00000001	1	
28	Standard timing #2	01	00000001	1	
29		01	00000001	1	
2A	Standard timing #3	01	00000001	1	
2B		01	00000001	1	
2C	Standard timing #4	01	00000001	1	
2D		01	00000001	1	
2E	Standard timing #5	01	00000001	1	
2F		01	00000001	1	
30	Standard timing #6	01	00000001	1	
31		01	00000001	1	
32	Standard timing #7	01	00000001	1	
33		01	00000001	1	
34	Standard timing #8	01	00000001	1	
35		01	00000001	1	
36	Pixel Clock/10000 LSB	9E	10011110	158	
37	Pixel Clock/10000 USB	25	00100101	37	
38	Horz active <b>Lower 8bits</b>	A0	10100000	160	
39	Horz blanking <b>Lower 8bits</b>	40	01000000	64	
3A	HorzAct:HorzBlnk <b>Upper 4:4 bits</b>	51	01010001	81	
3B	Vertical Active <b>Lower 8bits</b>	84	10000100	132	
3C	Vertical Blanking <b>Lower 8bits</b>	0C	00001100	12	
3D	Vert Act : Vertical Blanking <b>(upper 4:4 bit)</b>	30	00110000	48	
3E	HorzSync. Offset	D0	11010000	208	
3F	HorzSync.Width	20	00100000	32	
40	VertSync.Offset : VertSync.Width	36	00110110	54	
41	Horz&Vert Sync Offset/Width <b>Upper 2bits</b>	00	00000000	0	
42	Horizontal Image Size <b>Lower 8bits</b>	6F	01101111	111	
43	Vertical Image Size <b>Lower 8bits</b>	E5	11100101	229	
44	Horizontal & Vertical Image Size <b>(upper 4:4 bits)</b>	10	00010000	16	
45	Horizontal Border <i>(zero for internal LCD)</i>	00	00000000	0	
46	Vertical Border <i>(zero for internal LCD)</i>	00	00000000	0	
47	Signal <i>(non-intr, norm, no stereo, sep sync, neg pol)</i>	18	00011000	24	
48	Detailed timing/monitor	00	00000000	0	
49	descriptor #2	00	00000000	0	
4A		00	00000000	0	
4B		0F	00001111	15	
4C		00	00000000	0	
4D		00	00000000	0	
4E		00	00000000	0	
4F		00	00000000	0	
50		00	00000000	0	
51		00	00000000	0	



# Product Specification

AU OPTRONICS CORPORATION

B170PW06 V2

52		00	00000000	0	
53		00	00000000	0	
54		00	00000000	0	
55		00	00000000	0	
56		00	00000000	0	
57		00	00000000	0	
58		00	00000000	0	
59		20	00100000	32	
5A	Detailed timing/monitor	00	00000000	0	
5B	descriptor #3	00	00000000	0	
5C		00	00000000	0	
5D		FE	11111110	254	
5E		00	00000000	0	
5F	Manufacture	41	01000001	65	A
60	Manufacture	55	01010101	85	U
61	Manufacture	4F	01001111	79	O
62		0A	00001010	10	
63		20	00100000	32	
64		00	00000000	0	
65		20	00100000	32	
66		20	00100000	32	
67		20	00100000	32	
68		20	00100000	32	
69		20	00100000	32	
6A		20	00100000	32	
6B		20	00100000	32	
6C	Detailed timing/monitor	00	00000000	0	
6D	descriptor #4	00	00000000	0	
6E		00	00000000	0	
6F		FE	11111110	254	
70		00	00000000	0	
71	Manufacture P/N	42	01000010	66	B
72	Manufacture P/N	31	00110001	49	1
73	Manufacture P/N	37	00110111	55	7
74	Manufacture P/N	30	00110000	48	0
75	Manufacture P/N	50	01010000	80	P
76	Manufacture P/N	57	01010111	87	W
77	Manufacture P/N	30	00110000	48	0
78	Manufacture P/N	36	00110110	54	6
79	Manufacture P/N	20	00100000	32	
7A	Manufacture P/N	56	01010110	86	V
7B	Manufacture P/N	32	00110010	50	2
7C		20	00100000	32	





# Product Specification

AU OPTRONICS CORPORATION

**B170PW06 V2**

<b>7D</b>		0A	00001010	10	
<b>7E</b>	Extension Flag	00	00000000	0	
<b>7F</b>	Checksum	0B	00001011	11	
			<b>SUM</b>	<b>6400</b>	