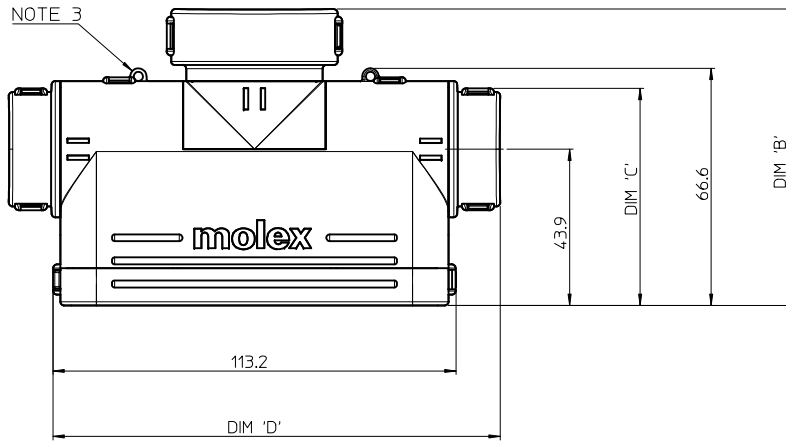
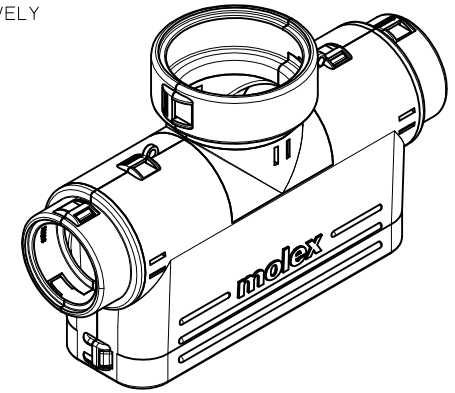


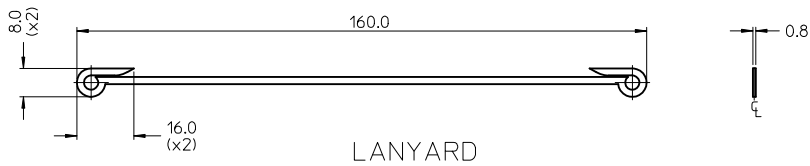
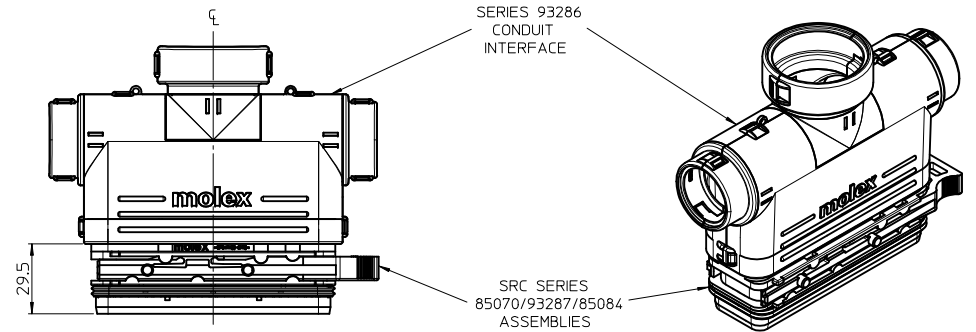
NOTES:

1. MATERIAL (CONDUIT INTERFACE AND LANYARD): POLYAMIDE, GLASS FILLED, COLOUR: BLACK
2. PACKAGING INFORMATION: PART NUMBERS LISTED ON SHEET 2 COMPRISE OF TWO SEPARATE MATING PARTS, UNCLIPPED AND CONNECTED AS ONE UNIT WITH A LANYARD IN A SEALED BAG
3. FEATURE FOR LANYARD CONNECTION
4. MATES WITH: NC & NW FORMAT CONDUIT  
MOLEX SERIES 85070, 93287, 85084, REFERENCE SALES DRAWINGS  
SD-85070-300, SD-93287-001 AND SD-85084-700 RESPECTIVELY
5. IP RATING: IP40



OUTLET SIZE DIMENSION	FEMALE			MALE
	28	32	40	28
A	32.1	38.3	46.8	28.2
B	77.5	77.5	83.3	77.6
C	70.0	64.1	68.5	58.0
D	125.6	125.6	131.4	125.7

MATING COMPONENTS VIEW



LANYARD

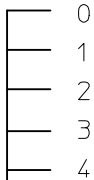
<b>ORIGINAL RELEASE</b> EC NO: E2010-0437 DRWN: JOCONNOR 2010/07/01 CHKD: MSHANAHAN 2012/02/08 APPR: EFOLAN 2012/02/15	QUALITY SYMBOLS ▽=0 ▽=0	GENERAL TOLERANCES (UNLESS SPECIFIED) <table border="1"> <tr> <td></td> <td>mm</td> <td>INCH</td> </tr> <tr> <td>4 PLACES</td> <td>± 0.15</td> <td>± 0.006</td> </tr> <tr> <td>3 PLACES</td> <td>± 0.20</td> <td>± 0.008</td> </tr> <tr> <td>2 PLACES</td> <td>± 0.25</td> <td>± 0.010</td> </tr> <tr> <td>1 PLACE</td> <td>± 0.5</td> <td>± 0.020</td> </tr> </table>		mm	INCH	4 PLACES	± 0.15	± 0.006	3 PLACES	± 0.20	± 0.008	2 PLACES	± 0.25	± 0.010	1 PLACE	± 0.5	± 0.020	DIMENSION STYLE <b>MM ONLY</b>	SCALE <b>1:1</b>	DESIGN UNITS <b>METRIC</b>	THIRD ANGLE PROJECTION
		mm	INCH																		
	4 PLACES	± 0.15	± 0.006																		
	3 PLACES	± 0.20	± 0.008																		
2 PLACES	± 0.25	± 0.010																			
1 PLACE	± 0.5	± 0.020																			
DRAWN BY JOCONNOR	DATE 2010/07/01	TITLE <b>SRC CONDUIT INTERFACE</b>																			
CHECKED BY MSHANAHAN	DATE 2012/02/08	APPROVED BY EFOLAN																			
MATERIAL NO. <b>SEE SHEET 2</b>	DATE 2012/02/15	MOLEX INCORPORATED	DOCUMENT NO. <b>SD-93286-001</b>	SHEET NO. <b>1 OF 2</b>																	

DRAFT WHERE APPLICABLE MUST REMAIN WITHIN DIMENSIONS

THIS DRAWING CONTAINS INFORMATION THAT IS PROPRIETARY TO MOLEX INCORPORATED AND SHOULD NOT BE USED WITHOUT WRITTEN PERMISSION

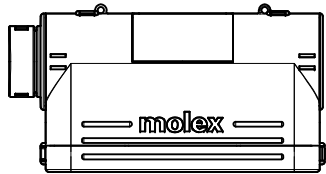
10 9 8 7 6 5 4 3 2 1

\*  
T



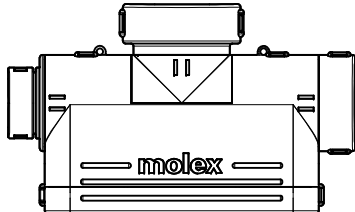
A/B	OUTLET
0	BLANK
1	Ø28 MALE
2	Ø28 FEMALE
3	Ø32 FEMALE
4	Ø40 FEMALE

EXAMPLE:



93286-0010:  
SIDE EXITS: Ø28 MALE & BLANK = 01  
CENTRE EXIT: BLANK = 0

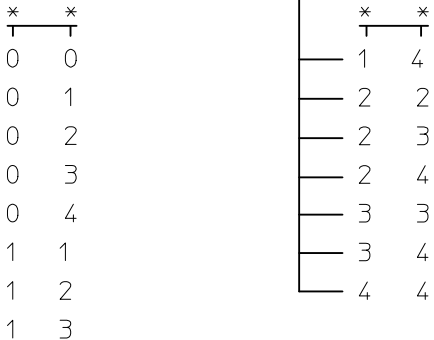
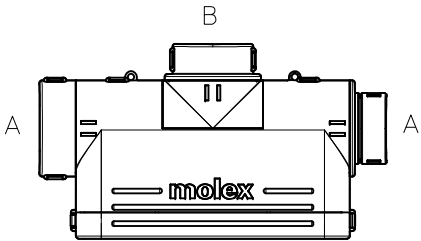
EXAMPLE:



93286-0134:  
SIDE EXITS: Ø28 MALE & Ø32 FEMALE = 13  
CENTRE EXIT: Ø40 FEMALE = 4

93286-0\*\*\*

CENTRE OUTLET (B)



SIDE OUTLETS (A - A)

OUTLET SIZE FORMAT CONVERSION CHART	
NC	NW
28	23
32	29
40	36

- NOTES:
- ALL OUTLET SIZES BASED ON UK NC SIZING FORMAT
  - MALE OUTLETS AVAILABLE IN SIZE NC 28 ONLY

SEE SHEET ONE  
EC NO: E2010-0437  
DRWN: JOCONNOR 2010/07/01  
CHKD: MSHANAHAN 2012/02/08  
APPR: EFOLAN 2012/02/15

REV	DESCRIPTION
1	QUALITY SYMBOLS ▽=0 ◻=0

	GENERAL TOLERANCES (UNLESS SPECIFIED)	
	mm	INCH
4 PLACES	± ---	± ---
3 PLACES	± ---	± ---
2 PLACES	± 0.25	± ---
1 PLACE	± 0.5	± ---
ANGULAR ± 2 °		
DRAFT WHERE APPLICABLE MUST REMAIN WITHIN DIMENSIONS		

DIMENSION STYLE MM ONLY	
DRAWN BY	DATE
JOCONNOR	2010/07/01
CHECKED BY	DATE
MSHANAHAN	2012/02/08
APPROVED BY	DATE
EFOLAN	2012/02/15
MATERIAL NO.	
SEE CHART	

SCALE	DESIGN UNITS
1:2	METRIC

THIRD ANGLE PROJECTION	
TITLE	
SRC CONDUIT INTERFACE	
MOLEX INCORPORATED	
DOCUMENT NO.	SHEET NO.
SD-93286-001	2 OF 2

9 8 7 6 5 4 3 2 1