

# DIAMOND

## Fiber Optic Components

### E-2000™ FUSION

MULTIMODE

E-28\*\*.6

E-28\*\*.6 DUPLEX

E-28\*\*.6 COMPACT

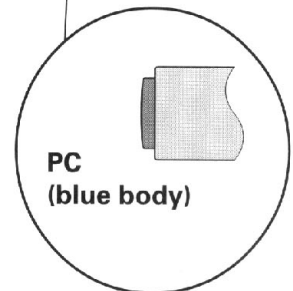
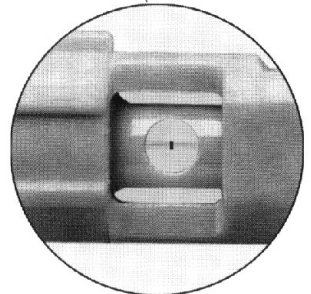
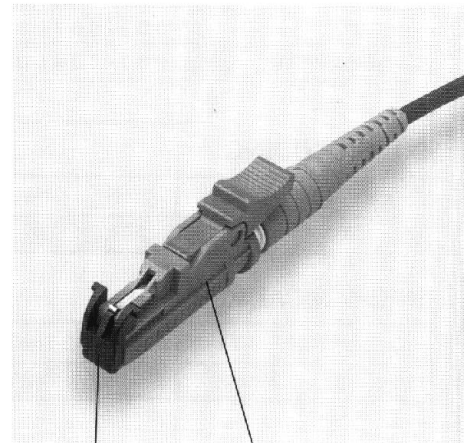
The E-2000™ FUSION allows installers to terminate Diamond-quality E-2000™ connectors in the field without the time, mess and expense associated with epoxying, curing and polishing.

Consisting of a pre-assembled connector with a factory-terminated fiber stub, the E-2000™ FUSION is terminated directly onto fiber in the field with a fusion splice. The fiber stub is core-centered via Diamond's well-known Active Core Alignment process and factory-polished to the company's exacting specifications. Models are available with GI multimode fiber stubs 0° PC endface polished. Other fiber types can also be accommodated.

The compact, battery-operated fusion splicer permits E-2000™ FUSION connectors to be quickly and easily terminated directly onto 900 μm secondary-coated fiber or 2.1-3.5 mm jacketed cable. Only a minimum of operator skill is required to achieve outstanding connections every time.

**The finished connector incorporates all the features which have made the E-2000™ the growing favorite with users worldwide, including...**

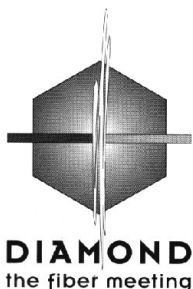
- Automatic, built-in protective covers for eye-safety and extended ferrule life
- Interchangeable, user-definable color-coding and mechanical keying options
- Simplex and duplex options
- Compatibility with a growing range of E-2000™ components, including active Tx/Rx modules, attenuators, hybrid mating adapters, etc.
- Simple, fast, reliable field termination with a minimum of operator skill
- Outstanding optical performance
- No polishing and epoxy
- Battery-operated tooling for up to 30 terminations on a single charge
- Eliminates the need to fusion-splice pigtailed onto cable ends, thereby eliminating costly, space-consuming splice trays



### Specifications:

|                       |                         |
|-----------------------|-------------------------|
| Insertion loss        | Typ. 0,2 dB             |
| Return loss           | Min. 30 dB              |
| Service life          | 1000 mate/demate cycles |
| Operating temperature | -40/+85°C*              |
| Storage temperature   | -40/+90°C               |

\* May be further limited by cable specifications



DIAMOND SA  
Via dei Patrizi 5  
CH-6616 LOSONE  
Tel. ++41-91/785 45 45  
Fax ++41-91/785 45 00  
e-mail: info@diamond-fo.com

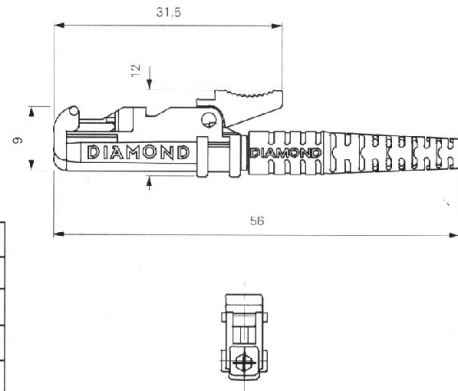
Specifications subject to change  
without notice

002-037-210P008022

# CONNECTOR E-2000™ (LSH)

## MULTIMODE

Type designation: **E-2816.6**  
 Ferrule material: Zirconia/copper-nickel alloy insert (Pilzferrule)  
 External parts: Plastic (blue)  
 Polish geometry: Convex (PC)



| GI 50/125              |                         | GI 62.5/125            |                         |
|------------------------|-------------------------|------------------------|-------------------------|
| Dimensions Fiber/Cable | Order Number            | Dimensions Fiber/Cable | Order Number            |
| 50/125/900             | - 0 0 1 - 0 0 1 L 0 0 0 | 62.5/125/900           | - 0 0 1 - 0 1 1 L 0 0 0 |
| 50/125/900/2100        | - 0 0 1 - 0 0 2 L 0 0 0 | 62.5/125/900/2100      | - 0 0 1 - 0 1 2 L 0 0 0 |
| 50/125/900/2500        | - 0 0 1 - 0 0 3 L 0 0 0 | 62.5/125/900/2500      | - 0 0 1 - 0 1 3 L 0 0 0 |
| 50/125/900/3000        | - 0 0 1 - 0 0 4 L 0 0 0 | 62.5/125/900/3000      | - 0 0 1 - 0 1 4 L 0 0 0 |
| 50/125/900/3500        | - 0 0 1 - 0 0 5 L 0 0 0 | 62.5/125/900/3500      | - 0 0 1 - 0 1 5 L 0 0 0 |

## COLOR CODING

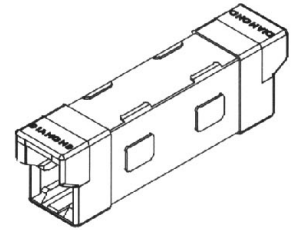
| Thumb-latch | blue | green | black | red | orange | yellow | white | violet |
|-------------|------|-------|-------|-----|--------|--------|-------|--------|
| Order No.   | 301  | 311   | 321   | 331 | 341    | 351    | 361   | 371    |

## MECHANICAL KEYING

| Thumb-latch No. | 1-1 (red) | 2-2 (brown) | 3-3 (yellow) | 4-4 (orange) | 5-5 (violet) | 6-6 (white) | — | — |
|-----------------|-----------|-------------|--------------|--------------|--------------|-------------|---|---|
| Order No.       | 401       | 411         | 421          | 431          | 441          | 451         | — | — |

## ADAPTER

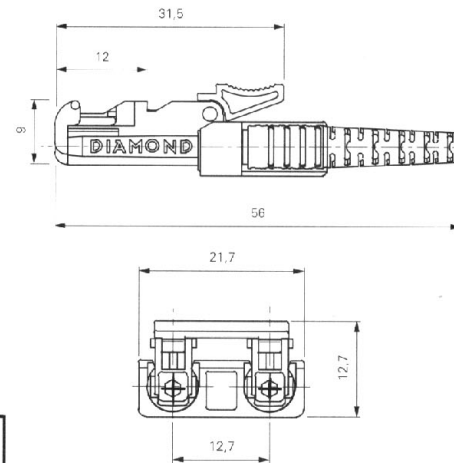
For complete product descriptions and ordering information, please refer to the part-specific data sheets **E-2201.-2\*\*\***.



# CONNECTOR E-2000™ DUPLEX

## MULTIMODE

Type designation: **E-2856.6 DUPLEX**  
 Ferrule material: Zirconia/copper-nickel alloy insert (Pilzferrule)  
 External parts: Plastic (blue)  
 Polish geometry: Convex (PC)



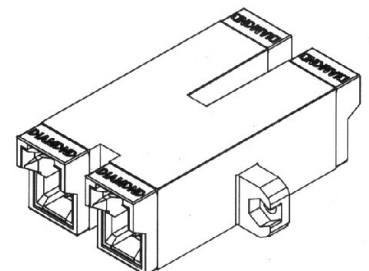
| GI 50/125              |                         | GI 62.5/125            |                         |
|------------------------|-------------------------|------------------------|-------------------------|
| Dimensions Fiber/Cable | Order Number            | Dimensions Fiber/Cable | Order Number            |
| 50/125/900             | - 0 0 1 - 0 0 1 L 0 0 0 | 62.5/125/900           | - 0 0 1 - 0 1 1 L 0 0 0 |
| 50/125/900/3000/6500   | - 0 0 1 - 0 0 4 L 0 0 0 | 62.5/125/900/3000/6500 | - 0 0 1 - 0 1 4 L 0 0 0 |

## FARBCODIERUNG

| Thumb-latch | blue | green | black | red | orange | yellow | white | violet |
|-------------|------|-------|-------|-----|--------|--------|-------|--------|
| Order No.   | 304  | 314   | 324   | 334 | 344    | 354    | 364   | 374    |

## ADAPTER

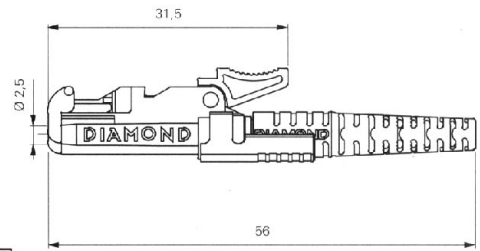
For complete product descriptions and ordering information, please refer to the part-specific data sheets **E-2210.-2\*\*\* DUPLEX**.



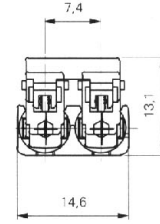
# CONNECTOR E-2000™ COMPACT

## MULTIMODE

Type designation: **E-2856.6 COMPACT**  
 Ferrule material: Zirconia/copper-nickel alloy insert (Pilzferrule)  
 External parts: Plastic (blue)  
 Polish geometry: Convex (PC)



| GI 50/125              |                         | GI 62.5/125            |                         |
|------------------------|-------------------------|------------------------|-------------------------|
| Dimensions Fiber/Cable | Order Number            | Dimensions Fiber/Cable | Order Number            |
| 50/125/900             | - 0 0 1 - 0 0 1 L 0 0 0 | 62.5/125/900           | - 0 0 1 - 0 1 1 L 0 0 0 |
| 50/125/900/3000/6500   | - 0 0 1 - 0 0 4 L 0 0 0 | 62.5/125/900/3000/6500 | - 0 0 1 - 0 1 4 L 0 0 0 |



## COLOR CODING

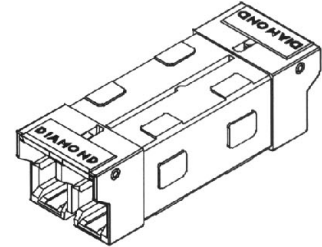
| Thumb-latch | blue | green | black | red | orange | yellow | white | violet |
|-------------|------|-------|-------|-----|--------|--------|-------|--------|
| Order No.   | 501  | 511   | 521   | 531 | 541    | 551    | 561   | 571    |

## MECHANICAL KEYING

| Thumb-latch No. | 1-1 (red) | 2-2 (brown) | 3-3 (yellow) | 4-4 (orange) | 5-5 (violet) | 6-6 (white) | — | — |
|-----------------|-----------|-------------|--------------|--------------|--------------|-------------|---|---|
| Order No.       | 601       | 611         | 621          | 631          | 641          | 651         | — | — |

## ADAPTER

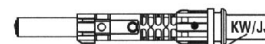
For complete product descriptions and ordering information, please refer to the part-specific data sheets **E-2211.-2\*\*\* COMPACT**.



## Marking of DIAMOND FUSION “alberini”



Reference for MM



Production date

### Codes for preterminated standard fiber stubs

|     |                    |
|-----|--------------------|
| 200 | Corning GI 50 μm   |
| 201 | Corning GI 62.5 μm |

Standard components are preterminated with Corning GI 50/125 μm and Corning GI 62.5/125 μm fiber stubs. Please contact your DIAMOND sales office if another fiber type is required.

## Termination kit

DIAMOND FUSION FIELD TERMINATION KIT allow installer to terminate DIAMOND-quality E-2000™, SC, FC, ST connectors in the field. It also include all the necessary tools and instructions.

### Order information

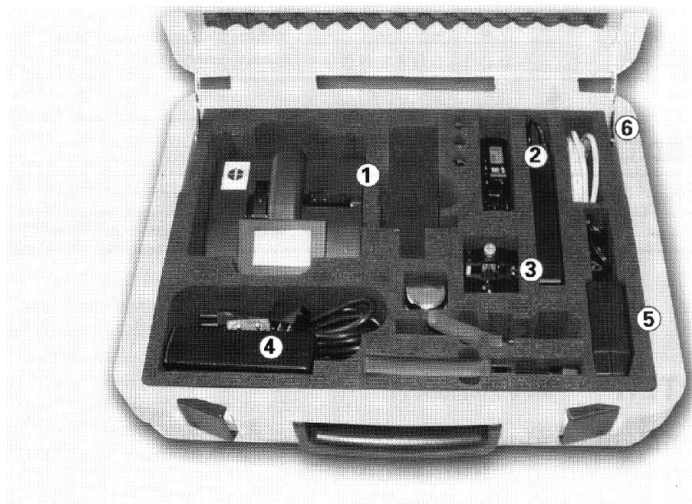
Fusion Field Termination Kit complet: 241-100-049V001

### Case content:

| Description                    |
|--------------------------------|
| 1 Fusion Splicer FFS-2000      |
| 2 Fiber stripper FS-1          |
| 3 Precision fiber cleaver FC-1 |
| 4 Power supply 120/240 V       |
| 5 Battery charger 120/240 V    |
| 6 Ethernet cable               |

### Pliers for housing assembly

| Connector type | Order Number    |
|----------------|-----------------|
| E-2000™        | 221-100-032V001 |
| HSC            | 221-100-041V001 |
| HPC            | 221-100-093V001 |
| HST™           | 221-100-094V001 |



Space requirement : ca. 540 x 420 x 210 mm

Weight : ca. 11,8 Kg