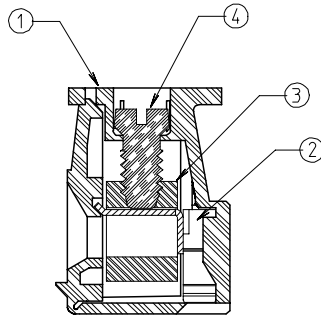
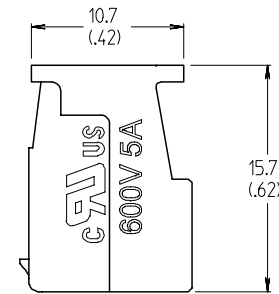
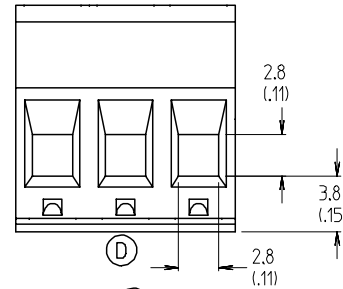
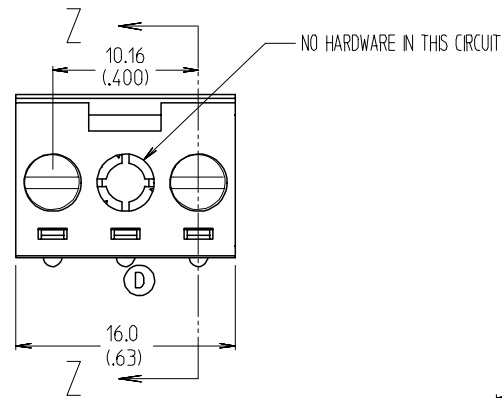


AUXILIARY VIEW  
SCALE 2:1



SECTION Z-Z

NOTES:

- 1. MATERIAL: SEE TABLE
- 2. FINISHES: SEE TABLE
- 3. MATES WITH: 399800502
- 4. INCH DIMS ARE SHOWN IN PARENTHESIS (XXX).
- 5. ASSEMBLY IS ROHS COMPLIANT BY EXEMPTION. COMPONENTS MARKED WITH AN ASTERISK (\*) ARE ROHS COMPLIANT BY EXEMPTION, ALL OTHERS ARE ROHS COMPLIANT.

ITEM	QTY.	DESCRIPTION	MATERIAL NO.	ENGINEERING NO.
4	2	SCREW, M3X0.5, CHS, SLOTTED	STEEL	ZN, CLEAR CHROMATE
3	2	RISING CAGE (*)	BRASS	NICKEL
2	2	TERMINAL	PHOS. BRONZE	HOT TIN DIP
1	1	INSULATOR	NYLON	BLACK

ADD MIDDLE LATCH	DRW: JMACNEIL	2007/03/14	APPR: JMACNEIL	2007/03/15
EC NO: ETC2007-0322	DRW: JMACNEIL	2007/03/14	APPR: JMACNEIL	2007/03/15
REV	DESCRIPTION			
D				

	GENERAL TOLERANCES (UNLESS SPECIFIED)	
	mm	INCH
4 PLACES	± .005	± .0005
3 PLACES	± .013	± .001
2 PLACES	± 0.3	± .012
1 PLACE	± 0.3	± .012
ANGULAR ± 2 °		

DIMENSION STYLE		SCALE	DESIGN UNITS	THIRD ANGLE PROJECTION
MM/IN		3:1	INCH	
DRAWN BY	DATE	TITLE		
AMP	2003/09/22	10.16MM SR PLUG ASSY, 2 LENGTH SKIP CIRCUIT		
CHECKED BY	DATE	MOLEX INCORPORATED		
R. KEMP	2003/10/13	SD-39980-001		
APPROVED BY	DATE	SHEET NO.		
P. WALTZ	2003/10/20	1 OF 1		
MATERIAL NO.	399800202	THIS DRAWING CONTAINS INFORMATION THAT IS PROPRIETARY TO MOLEX INCORPORATED AND SHOULD NOT BE USED WITHOUT WRITTEN PERMISSION		