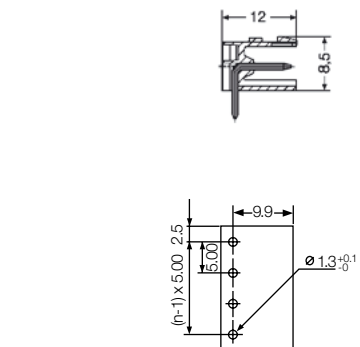


Omnimate Range - Pitch 5.00 mm



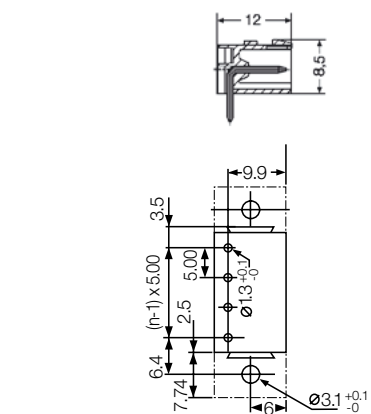
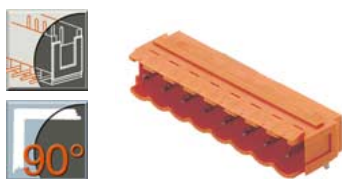
Pin headers SL 5.00/90



Technical Data		VDE	UL	CSA
Rated voltage	V	250*	300	300
Rated current	A	12	10	10

*Overvoltage category III / Pollution severity 3
Additional technical data see page 216

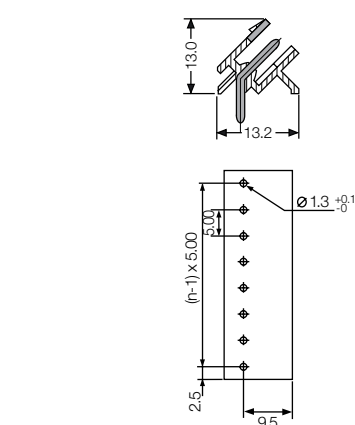
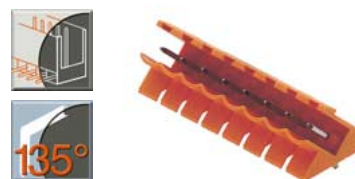
Pin headers SL 5.00/90B



Technical Data		VDE	UL	CSA
Rated voltage	V	250*	300	300
Rated current	A	12	10	10

*Overvoltage category III / Pollution severity 3
Additional technical data see page 216

Pin headers SL 5.00/135



Technical Data		VDE	UL	CSA
Rated voltage	V	250*	300	300
Rated current	A	12	10	10

*Overvoltage category III / Pollution severity 3
Additional technical data see page 216

Solder pin length 3.2 mm 4.5 mm

Colour				
Poles	Type	Cat. No.	Cat. No.	Qty.
2	SL 5.00/2/90	1571130000	1625990000	100
3	SL 5.00/3/90	1571140000	1626000000	100
4	SL 5.00/4/90	1571150000	1626010000	100
5	SL 5.00/5/90	1571160000	1626020000	50
6	SL 5.00/6/90	1571170000	1596180000	50
7	SL 5.00/7/90	1571180000	1626030000	50
8	SL 5.00/8/90	1571190000	1626040000	50
9	SL 5.00/9/90	1571200000	1626050000	50
10	SL 5.00/10/90	1571210000	1626060000	50
11	SL 5.00/11/90	1571220000	1626070000	50
12	SL 5.00/12/90	1571110000	1626080000	50
13	SL 5.00/13/90	1571230000	1626090000	50
14	SL 5.00/14/90	1571240000	1626100000	50
15	SL 5.00/15/90	1571250000	1626110000	50
16	SL 5.00/16/90	1571260000	1626120000	50
17	SL 5.00/17/90	1571270000	1626130000	20
18	SL 5.00/18/90	1571280000	1626140000	20
19	SL 5.00/19/90	1571290000	1626150000	20
20	SL 5.00/20/90	1571300000	1626160000	20
21	SL 5.00/21/90	1571310000	1626170000	20
22	SL 5.00/22/90	1571320000	1626180000	20
23	SL 5.00/23/90	1571330000	1626190000	20
24	SL 5.00/24/90	1571340000	1626200000	20

Accessories	Page
Fixing	-
Marking	196
Coding	198, 199
Miscellaneous	205

Solder pin length 3.2 mm 4.5 mm

Colour				
Poles	Type	Cat. No.	Cat. No.	Qty.
2	SL 5.00/2/90B	1580860000	1626210000	100
3	SL 5.00/3/90B	1580870000	1626220000	100
4	SL 5.00/4/90B	1580880000	1596150000	100
5	SL 5.00/5/90B	1580890000	1626230000	50
6	SL 5.00/6/90B	1580900000	1626240000	50
7	SL 5.00/7/90B	1580910000	1596160000	50
8	SL 5.00/8/90B	1580920000	1626250000	50
9	SL 5.00/9/90B	1580930000	1626260000	50
10	SL 5.00/10/90B	1580940000	1596170000	50
11	SL 5.00/11/90B	1580950000	1626270000	50
12	SL 5.00/12/90B	1580960000	1603320000	50
13	SL 5.00/13/90B	1580970000	1626280000	50
14	SL 5.00/14/90B	1580980000	1626290000	50
15	SL 5.00/15/90B	1580990000	1626300000	50
16	SL 5.00/16/90B	1581000000	1603330000	50
17	SL 5.00/17/90B	1581010000	1626310000	20
18	SL 5.00/18/90B	1581020000	1626320000	20
19	SL 5.00/19/90B	1581030000	1626330000	20
20	SL 5.00/20/90B	1581040000	1626340000	20
21	SL 5.00/21/90B	1581050000	1626350000	20
22	SL 5.00/22/90B	1581060000	1626360000	20
23	SL 5.00/23/90B	1581070000	1626370000	20
24	SL 5.00/24/90B	1581080000	1626380000	20

Accessories	Page
Fixing	193
Marking	196
Coding	198, 199
Miscellaneous	205

Solder pin length 3.2 mm 4.5 mm

Colour				
Poles	Type	Cat. No.	Cat. No.	Qty.
2	SL 5.00/2/135	1630250000	1630820000	100
3	SL 5.00/3/135	1630260000	1630830000	100
4	SL 5.00/4/135	1630270000	1630840000	100
5	SL 5.00/5/135	1630280000	1630850000	50
6	SL 5.00/6/135	1630290000	1630860000	50
7	SL 5.00/7/135	1630300000	1630870000	50
8	SL 5.00/8/135	1630310000	1630880000	50
9	SL 5.00/9/135	1630320000	1630890000	50
10	SL 5.00/10/135	1630330000	1630900000	50
11	SL 5.00/11/135	1630340000	1630910000	50
12	SL 5.00/12/135	1630350000	1630920000	50
13	SL 5.00/13/135	1630360000	1630930000	50
14	SL 5.00/14/135	1630370000	1630940000	50
15	SL 5.00/15/135	1630380000	1630950000	50
16	SL 5.00/16/135	1630390000	1630960000	50
17	SL 5.00/17/135	1630400000	1630970000	20
18	SL 5.00/18/135	1630410000	1630980000	20
19	SL 5.00/19/135	1630420000	1630990000	20
20	SL 5.00/20/135	1630430000	1631000000	20
21	SL 5.00/21/135	1630440000	1631010000	20
22	SL 5.00/22/135	1630450000	1631020000	20
23	SL 5.00/23/135	1630460000	1631030000	20
24	SL 5.00/24/135	1630470000	1631040000	20

Accessories	Page
Fixing	-
Marking	196
Coding	198, 199
Miscellaneous	-