

**PLEASE CHECK WWW.MOLEX.COM FOR LATEST PART INFORMATION**

**Part Number:** **0512383015**  
**Status:** **Active**  
**Description:** CRC™ Shielded Rectangular I/O Receptacle Housing for Female Terminal, Signal, 30 Circuits, Polarization Type D, Polarization Position B-3

**Documents:**

[Drawing \(PDF\)](#) [Product Specification PS-51238-018 \(PDF\)](#)  
[Product Specification PS-51238-010 \(PDF\)](#) [RoHS Certificate of Compliance \(PDF\)](#)

**Agency Certification**

|     |           |
|-----|-----------|
| CSA | LR19980   |
| TUV | R72081037 |
| UL  | E29179    |

**General**

|                |                           |
|----------------|---------------------------|
| Product Family | I/O Connectors            |
| Series         | 51238                     |
| Application    | Panel-Mount, Wire-to-Wire |
| Component Type | Housing                   |
| Product Name   | CRC™                      |
| Type           | N/A                       |

**Physical**

|                                |                 |
|--------------------------------|-----------------|
| Boot Color                     | N/A             |
| Circuits (Loaded)              | N/A             |
| Circuits (maximum)             | 30              |
| Color - Resin                  | Black           |
| Durability (mating cycles max) | 100             |
| Flammability                   | 94V-0           |
| Gender                         | Receptacle      |
| Keying to Mating Part          | Yes             |
| Lock to Mating Part            | Yes             |
| Material - Metal               | Stainless Steel |
| Material - Plating Mating      | n/a             |
| Material - Resin               | Polyester       |
| Number of Rows                 | 6               |
| Orientation                    | Vertical        |
| PCB Locator                    | No              |
| Packaging Type                 | Tray            |
| Panel Mount                    | Front, Rear     |
| Pitch - Mating Interface (in)  | 0.118 In        |
| Pitch - Mating Interface (mm)  | 3.00 mm         |
| Pitch - Term. Interface (in)   | 0.118 In        |
| Pitch - Term. Interface (mm)   | 3.00 mm         |
| Polarized to Mating Part       | Yes             |
| Polarized to PCB               | N/A             |
| Ports                          | 1               |
| Surface Mount Compatible (SMC) | N/A             |
| Temperature Range - Operating  | -40°C to +105°C |
| Termination Interface: Style   | N/A             |
| Waterproof / Dustproof         | No              |

**Electrical**

|                               |                  |
|-------------------------------|------------------|
| Current - Maximum per Contact | 1A, 2.5A, 2A, 3A |
| Shielded                      | No               |
| Voltage - Maximum             | 250V AC (RMS)/DC |



image - Reference only

**EU RoHS**

**ELV and RoHS Compliant**  
**REACH SVHC Contains SVHC: No**  
**Halogen-Free Status**  
**Not Reviewed**

**China RoHS**



**Need more information on product environmental compliance?**

Email [productcompliance@molex.com](mailto:productcompliance@molex.com)  
 For a multiple part number RoHS Certificate of Compliance, [click here](#)

Please visit the [Contact Us](#) section for any non-product compliance questions.

**Search Parts in this Series**

51238Series

**Mates With**

51234-300X plug housing|55836-300X plug assembly set

**Use With**

56377-300\* receptacle shell|56120 and 56121 female terminal

**Material Info**

**Reference - Drawing Numbers**

Product Specification

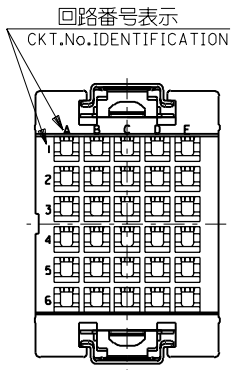
Sales Drawing

PS-51238-010, PS-51238-018, RPS-51238-001

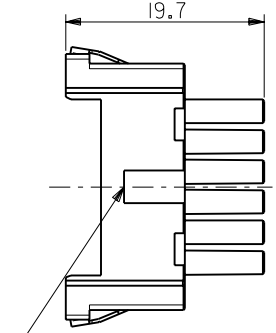
SD-51238-009

This document was generated on 04/12/2010

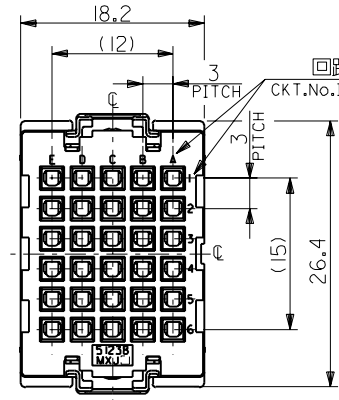
**PLEASE CHECK [WWW.MOLEX.COM](http://WWW.MOLEX.COM) FOR LATEST PART INFORMATION**



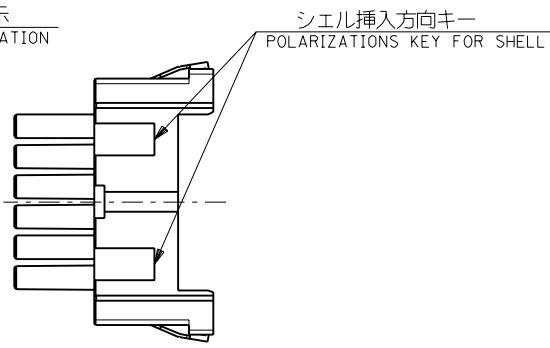
電線挿入側  
WIRE SIDE



シェル挿入方向キー  
POLARIZATIONS KEY FOR SHELL



嵌合側  
MATING SIDE



シェル挿入方向キー  
POLARIZATIONS KEY FOR SHELL

注記  
NOTES

1. 材質 MATERIAL  
①ハウジング: ガラス入りPBT樹脂 HOUSING: PBT G.F.  
UL94V-0 色: 黒  
UL94V-0 COLOR: BLACK  
②スプリング: ステンレス鋼 t0.3  
SPRING: STAINLESS STEEL t0.3
2. 適用端子: 56120-8\*90, 56121-8\*90  
APPLICABLE CRIMP PIN: 56120-8\*90, 56121-8\*90
3. 適用リセプタクル シェル: 56377-30\*\*  
APPLICABLE RECEPTACLE SHELL: 56377-30\*\*
4. 嵌合相手: 51234-300\*  
MEET WITH: 51234-300\*

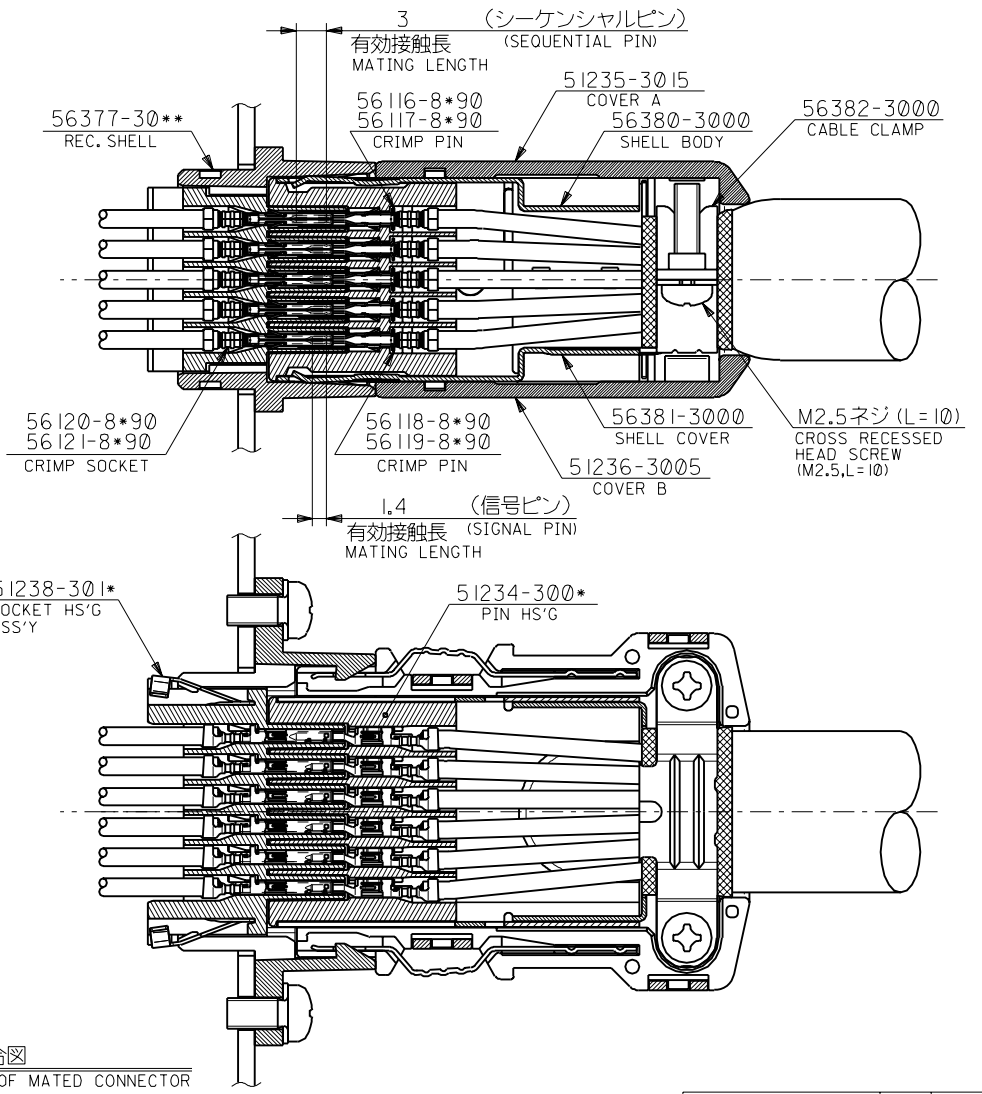
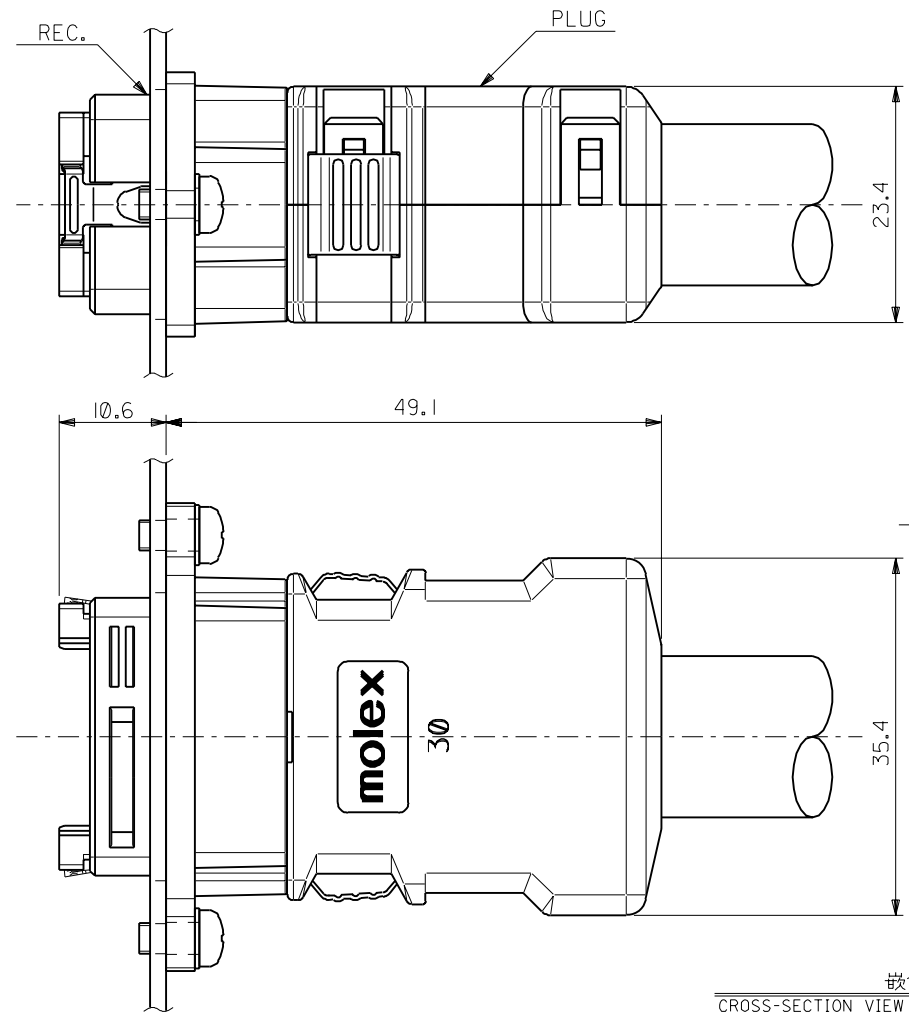
<誤嵌合防止キー (極性) タイプ> <POLARITY KEY TYPE>

| 51238-3011    | 51238-3012 | 51238-3013 | 51238-3014 | 51238-3015 |
|---------------|------------|------------|------------|------------|
|               |            |            |            |            |
| STANDARD TYPE | A TYPE     | B TYPE     | C TYPE     | D TYPE     |

|                                 |               |              |             |         |
|---------------------------------|---------------|--------------|-------------|---------|
| B-3                             | D             | 51238-3015   | 51238-***1* | 30      |
| D-4                             | C             | 51238-3014   |             |         |
| C-4                             | B             | 51238-3013   |             |         |
| C-3                             | A             | 51238-3012   |             |         |
| —                               | STANDARD      | 51238-3011   |             |         |
| POLARITY POSITION (CIRCUIT No.) | POLARITY TYPE | MATERIAL No. | MODEL No.   | CIRCUIT |

|                                     |                                     |                                     |   |   |                                  |   |   |   |  |
|-------------------------------------|-------------------------------------|-------------------------------------|---|---|----------------------------------|---|---|---|--|
| EC NO.<br>DRAWN:<br>CHK'g:<br>APPR: | EC NO.<br>DRAWN:<br>CHK'g:<br>APPR: | EC NO.<br>DRAWN:<br>CHK'g:<br>APPR: | REVISED 01/10/04<br>EC NO. J2002-0786<br>DRAWN: S.AKIYAMA<br>CHK'g: J.MIYAZAWA<br>APPR: Y.O.ITO | RELEASED 01/02/16<br>EC NO. JD2001-1040<br>DRAWN: S.AKIYAMA<br>CHK'g: J.MIYAZAWA<br>APPR: H.IKESUGI | MATERIAL 材料<br>注記参照<br>SEE NOTES | GENERAL TOLERANCES:<br>(UNLESS SPECIFIED)<br>一般公差 | SCALE 2-1<br>DESIGN UNITS<br><input checked="" type="checkbox"/> mm <input type="checkbox"/> INCH | THIRD ANGLE PROJECTION<br><input type="checkbox"/> mm INCH <input checked="" type="checkbox"/> INCH mm ONLY | SHT<br>REV   |
|                                     |                                     |                                     |   |   | DESCRIPTION<br>仕上げ               | 10 UNDER 未満 ±0.2                                  | DRAWN BY & DATE<br><i>S. Akiyama</i> / 01/10/25   | TITLE:<br>COMPACT ROBOT CONN. (CRC)<br>REC. SOCKET HS'G ASS'Y   |  |
|                                     |                                     |                                     | A   | 0   | FINISH 仕上げ                       | 10 OVER 30 UNDER 未満 ±0.25                         | CHECKED BY & DATE<br><i>J. Miyazawa / Y. Ito</i>  | MATERIAL NO. SEE CHART<br>DRAWING NO. SD-51238-009<br>SHEET NO. 1 OF 4                                      |  |
|                                     |                                     |                                     |   |   | WIRE RANGE 適用線径範囲                | 30 OVER 以上 ±0.3                                   | APPROVED BY & DATE<br><i>S. Akiyama</i>   |   | MOLEX INCORPORATED   |
|                                     |                                     |                                     |   |   | INS. RANGE 被覆外径                  | ANGLE 角度 ±3°                                      | CAD FILE NAME<br>51238009.S01   |   | THIS DRAWING CONTAINS INFORMATION THAT IS PROPRIETARY TO MOLEX INCORPORATED AND SHOULD NOT BE USED WITHOUT WRITTEN PERMISSION. |

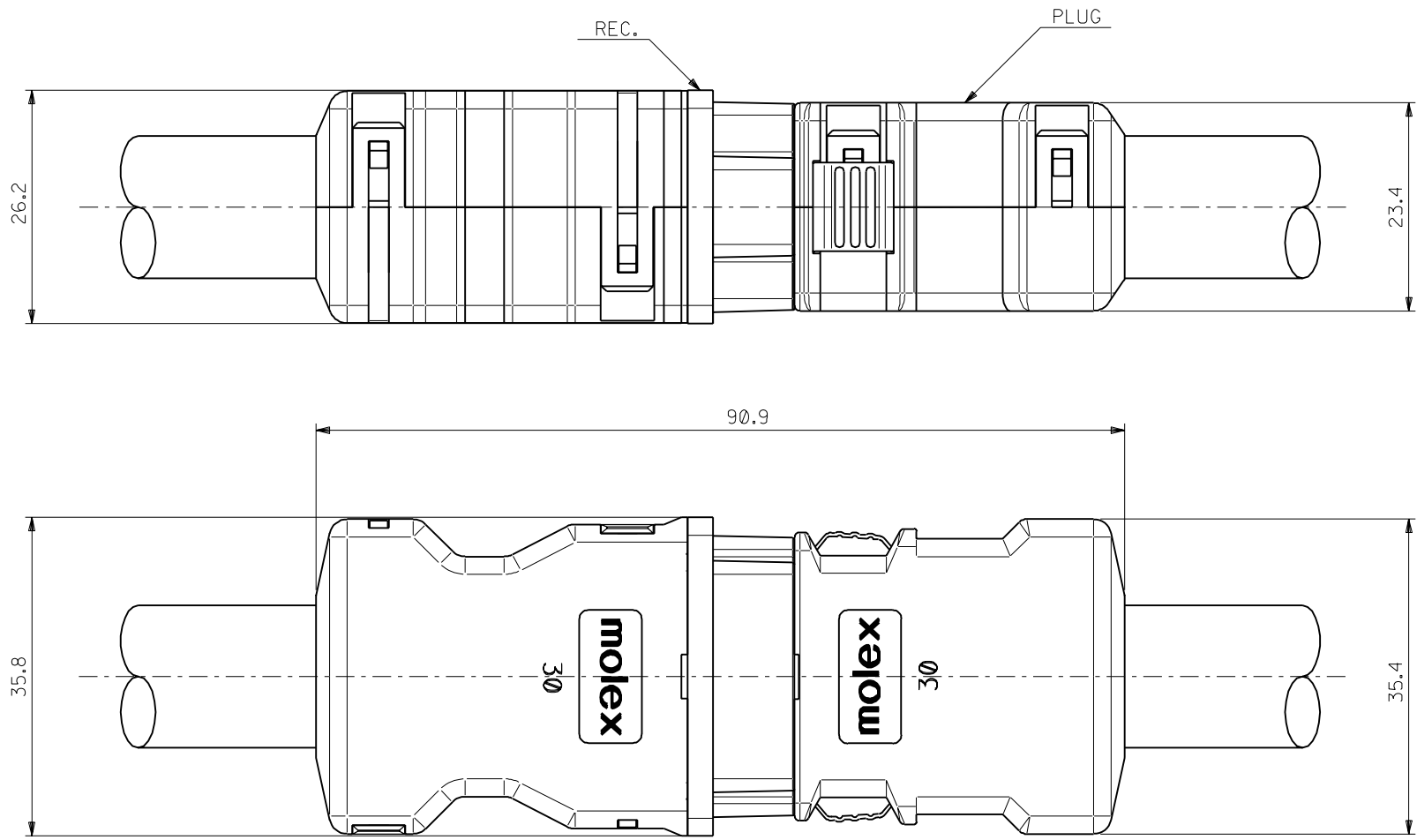
DWG. NO.  
SD-51238-009



嵌合図  
CROSS-SECTION VIEW OF MATED CONNECTOR

DO NOT SCALE DRAWING

|                                  |                                  |                                  |   |                |   |                               |                           |   |                                    |  |                     |
|----------------------------------|----------------------------------|----------------------------------|---|----------------|---|-------------------------------|---------------------------|---|------------------------------------|--|---------------------|
| EC NO.<br>DRWN:<br>CHK:<br>APPR: | EC NO.<br>DRWN:<br>CHK:<br>APPR: | EC NO.<br>DRWN:<br>CHK:<br>APPR: | REVISED 01/10/04  | MATERIAL<br>材料 | GENERAL TOLERANCES:<br>(UNLESS SPECIFIED)<br>一般公差 | SCALE<br>2-1                  | DESIGN UNITS<br>mm □ INCH | THIRD ANGLE<br>PROJECTION                 | DIMENSIONS:<br>mm □ INCH □ mm ONLY | SHT<br>REVISE ON<br>CAD ONLY   | REV                 |
|                                  |                                  |                                  | EC NO. J2002-0786<br>DRWN: S.AKIYAMA<br>CHK: J.MIYAZAWA<br>APPR: YO.ITO     |                |   |                               |                           |   |                                    |  |                     |
| A                                | Ø                                | Ø                                | RELEASED 01/02/16   | FINISH<br>仕上げ  | 10 OVER<br>以上                                     | ±0.25                         | 30 UNDER<br>未満            | CHECKED BY & DATE<br>J. Miyazawa / Y. Ito | MATERIAL NO.<br>SEE CHART          | DRAWING NO.<br>SD-51238-009  | SHEET NO.<br>2 OF 4 |
|                                  |                                  |                                  | EC NO. JD2001-1040<br>DRWN: S.AKIYAMA<br>CHK: J.MIYAZAWA<br>APPR: H.IKESUGI |                |   |                               |                           |   |                                    |  |                     |
| REV                              | INS. RANGE<br>被覆外径               | INS. RANGE<br>被覆外径               |   | ANGLE<br>角度    | ±3°   | CAD FILE NAME<br>51238009.S01 |                           | MATERIAL NO.<br>SEE CHART                 |                                    | THIS DRAWING CONTAINS INFORMATION THAT IS PROPRIETARY TO MOLEX INCORPORATED AND SHOULD NOT BE USED WITHOUT WRITTEN PERMISSION. |                     |



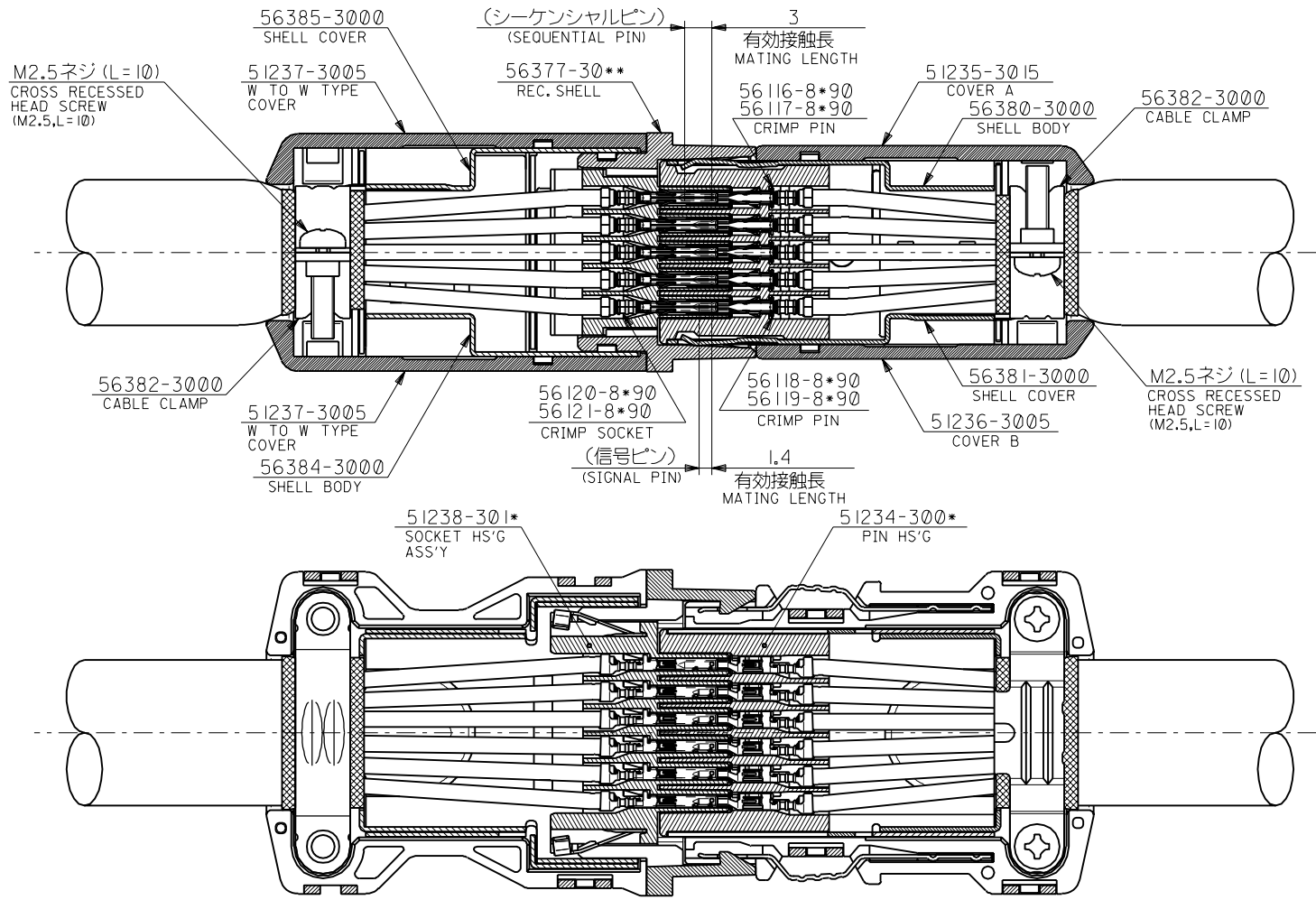
嵌合図 (中継タイプ)  
CROSS-SECTION VIEW OF MATED CONNECTOR  
(WIRE TO WIRE TYPE)

DO NOT SCALE DRAWING

|                                  |                                  |                                  |   |                      |   |               |  |   |                             |  |  |  |
|----------------------------------|----------------------------------|----------------------------------|---|----------------------|---|---------------|--|---|-----------------------------|--|--|--|
| EC NO.<br>DRWN:<br>CHK:<br>APPR: | EC NO.<br>DRWN:<br>CHK:<br>APPR: | EC NO.<br>DRWN:<br>CHK:<br>APPR: | REVISED 01/10/04  | MATERIAL<br>材料       | GENERAL TOLERANCES:<br>(UNLESS SPECIFIED)<br>一般公差 | SCALE         | DESIGN UNITS                                     | THIRD ANGLE<br>PROJECTION                           | DIMENSIONS:                 |  | SHT  | REV  |
|                                  |                                  |                                  | EC NO. J2002-0786<br>DRWN: S.AKIYAMA<br>CHK: J.MIYAZAWA<br>APPR: YO.ITO     |                      |   | FINISH<br>仕上げ | 10 UNDER<br>未満                                   |   | 2-1                         | <input type="checkbox"/> mm<br><input type="checkbox"/> INCH | <input type="checkbox"/> mm<br><input type="checkbox"/> mm | <input checked="" type="checkbox"/> mm<br>ONLY |
| A                                | 0                                |                                  | RELEASED 01/02/16   | 注記参照<br>SEE NOTES    | 10 OVER 30 UNDER<br>以上 未満                         | ±0.2          | DRAWN BY & DATE<br><i>S. Akiyama</i> / 01/25     | TITLE:  |                             |  |  |  |
|                                  |                                  |                                  | EC NO. JD2001-1040<br>DRWN: S.AKIYAMA<br>CHK: J.MIYAZAWA<br>APPR: H.IKESUGI | —                    | 30 OVER<br>以上                                     | ±0.25         | CHECKED BY & DATE<br><i>J. Miyazawa / Y. Ito</i> | COMPACT ROBOT CONN. (CRC)<br>REC. SOCKET HS'G ASS'Y |                             |  |  |  |
|                                  |                                  |                                  |   | WIRE RANGE<br>適用電線範囲 | —   | ±0.3          | APPROVED BY & DATE<br><i>Yo. Ito</i>             | MOLEX INCORPORATED                                  |                             |  |  |  |
|                                  |                                  |                                  |   | INS. RANGE<br>被覆外径   | —   | ±3°           | CAD FILENAME<br>51238009.S03                     | MATERIAL NO.<br>SEE CHART                           | DRAWING NO.<br>SD-51238-009 | SHEET NO.<br>3 OF 4  |  |  |

THIS DRAWING CONTAINS INFORMATION THAT IS PROPRIETARY TO MOLEX INCORPORATED AND SHOULD NOT BE USED WITHOUT WRITTEN PERMISSION.

DWG. NO. SD-51238-009



嵌合図 (中継タイプ)  
 CROSS-SECTION VIEW OF MATED CONNECTOR  
 (WIRE TO WIRE TYPE)

DO NOT SCALE DRAWING

|                                  |                                  |                                  |   |                    |   |                |                                |  |   |                              |                             |                                  |
|----------------------------------|----------------------------------|----------------------------------|---|--------------------|---|----------------|--------------------------------|--|---|------------------------------|-----------------------------|----------------------------------|
| EC NO.<br>DRWN:<br>CHK:<br>APPR: | EC NO.<br>DRWN:<br>CHK:<br>APPR: | EC NO.<br>DRWN:<br>CHK:<br>APPR: | REVISED 01/10/04  | MATERIAL<br>材料     | GENERAL TOLERANCES:<br>(UNLESS SPECIFIED)<br>一般公差 | SCALE<br>2-1   | DESIGN UNITS<br>mm □ mm □ INCH | THIRD ANGLE<br>PROJECTION                | DIMENSIONS:<br>mm □ mm □ INCH □ mm ONLY | SHT<br>REVISE ON<br>CAD ONLY | REV                         |                                  |
|                                  |                                  |                                  | EC NO. J2002-0786<br>DRWN: S.AKIYAMA<br>CHK: J.MIYAZAWA<br>APPR: Y.O.IITO   |                    |   |                |                                |  |   |                              |                             | DESCRIPTION<br>注記参照<br>SEE NOTES |
| A                                | 0                                | 0                                | RELEASED 01/02/16   | FINISH<br>仕上げ      | 10 OVER<br>以上                                     | 30 UNDER<br>未満 | ±0.25                          | CHECKED BY & DATE<br>J. Miyazawa / Y. Oe | APPROVED BY & DATE<br>Y. Oe             | MATERIAL NO.<br>SEE CHART    | DRAWING NO.<br>SD-51238-009 | SHEET NO.<br>4 OF 4              |
|                                  |                                  |                                  | EC NO. JD2001-1040<br>DRWN: S.AKIYAMA<br>CHK: J.MIYAZAWA<br>APPR: H.IKESUGI |                    |   |                |                                |  |   |                              |                             |                                  |
|                                  |                                  |                                  |   | INS. RANGE<br>被覆外径 | ANGLE<br>角度                                       | ±3°            |                                |  |   |                              |                             |                                  |

THIS DRAWING CONTAINS INFORMATION THAT IS PROPRIETARY TO MOLEX INCORPORATED AND SHOULD NOT BE USED WITHOUT WRITTEN PERMISSION.