

ADSL MAGNETICS

For Analog Devices

- Optimized for use with Analog Devices' AD20MSP910 transceiver IC
- S560-6600-30 designed to meet domestic and international safety requirements for supplementary insulation at 250V
- Designed to support modem, router and switch applications
- Minimum interwinding breakdown voltage of 1500 Vrms

ELECTRICAL SPECIFICATIONS at 25° C

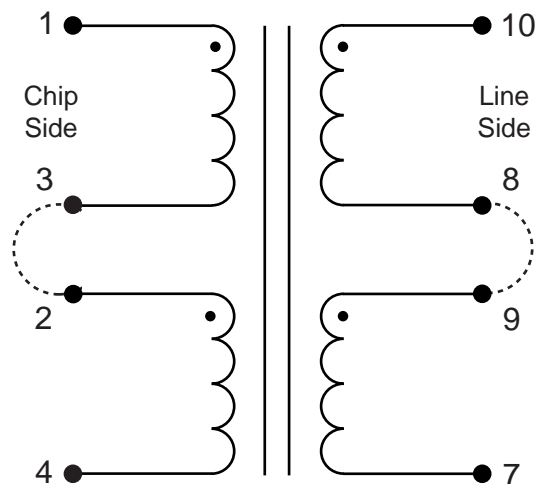
Part Number	Turns Ratio ± 3%	Inductance mH ±10%	Leakage Inductance μH max	DCR Ω max		Return Loss* dB min	Insertion Loss* dB max	Frequency Response*	Harmonic Distortion*
	Chip : Line	Line Side	Chip Side	Chip Side	Line Side	40KHz - 300KHz		30KHz - 1.1MHz	30KHz Vo=4Vrms
S560-6600-00	1CT : 1CT	5	15	3	3	16.5	100kHz 0.5	±0.5	80
S560-6600-30	1CT : 1CT	5	16	3	3	16.5	100kHz 0.5	±0.5	80
S560-6600-35	1CT : 1.25CT	3.1	6	3.0	4.0	16.5	300kHz 0.5	±0.5	80

All measurements are made with pins 2 and 3 connected and pins 8 and 9 connected.

*Source resistance and load resistance equals 135 Ω.

SCHEMATIC

S560-6600-00
S560-6600-30
S560-6600-35



Pins 2 and 3 connected to form chip side CT
Pins 8 and 9 connected to form line side CT



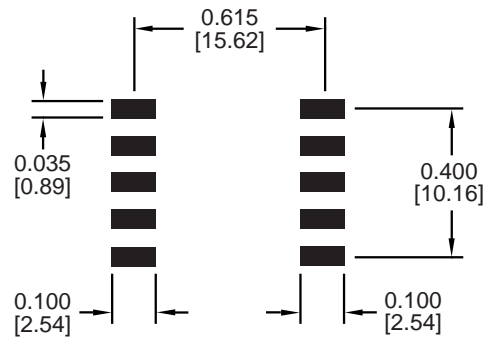
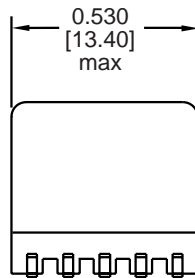
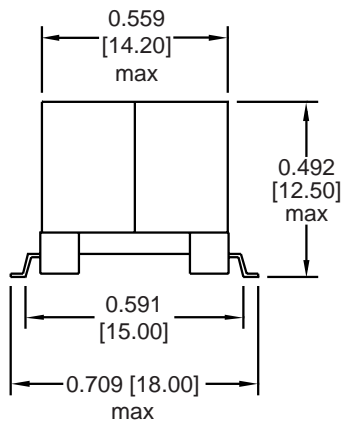
TM9953

ADSL MAGNETICS

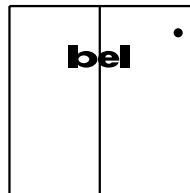
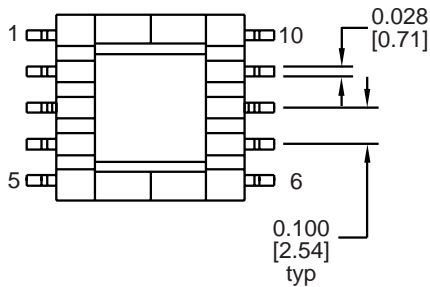
For Analog Devices

MECHANICAL

S560-6600-00
S560-6600-30
S560-6600-35



Suggested PCB Pad Layout



Notes:
 Coil form is UL 94 V0 rated
 Coplanarity is 0.005 [0.127]

Standard dimension tolerance is ± 0.005 [0.13] unless otherwise noted.

CORPORATE

Bel Fuse Inc.
 198 Van Vorst Street
 Jersey City, NJ 07302
 Tel 201-432-0463
 Fax 201-432-9542
 www.belfuse.com

FAR EAST

Bel Fuse Ltd.
 8F / 8 Luk Hop Street
 San Po Kong
 Kowloon, Hong Kong
 Tel 852-2328-5515
 Fax 852-2352-3706
 www.belfuse.com

EUROPE

Bel Fuse Europe Ltd.
 Preston Technology Management Centre
 Marsh Lane, Suite F23, Preston
 Lancashire, PR1 8UD, U.K.
 Tel 44-1772-556601
 Fax 44-1772-888366
 www.belfuse.com