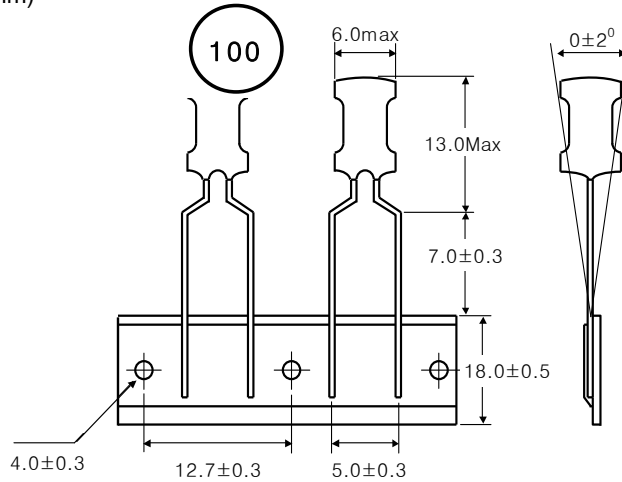


Leaded type

▼ Shape & Dimensions / Recommended Solder Land Pattern

(Dimensions in mm)



▼ Electrical Characteristics

Ordering Code	Inductance		Freq.	DC Resistance(Ω)	Rated DC current(A)
	L (uH)	Tol. (%)	F (MHz)	Rdc (Max.)	
LPL0411T-100M	10	±20	7.96	0.45	0.46
LPL0411T-150K	15	±10	2.52	1.30	0.33
LPL0411T-220K	22			1.50	0.27
LPL0411T-470K	47			2.20	0.20
LPL0411T-101K	100			3.30	0.15

▼ Test Equipments

- . L : Agilent E4980A Precision LCR Meter
- . Rdc : HIOKI 3540 mΩ HiTESTER
- . Idc : Agilent 4284A LCR Meter + Agilent 42841A Bias Current Source

▼ Test Condition

- . Idc(The saturation current) : $\Delta L \leq 10\%$ typical at rated current
- * Rated DC current : Idc

▼ Operating Temperature Range

- 20 ~ +85°C (Including self-generated heat)