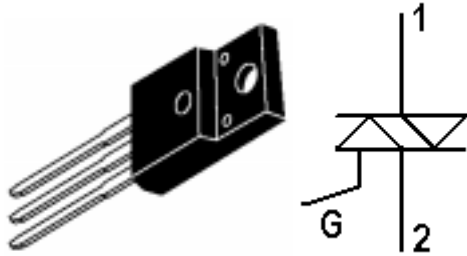


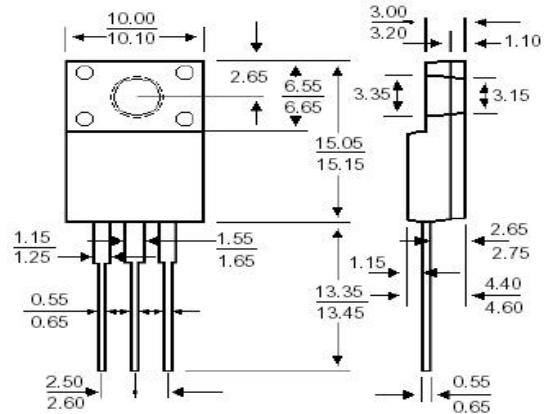
FTC16A60F

DESCRIPTION



ITO-220AB

MECHANICAL DIMENSION



DIMENSION IN MM

FOR USE IN HIGH BIDIRECTIONAL TRANSIENT AND BLOCKING VOLTAGE APPLICATIONS, AND FOR HIGH THERMAL CYCLING PERFORMANCE.

TYPICAL APPLICATION INCLUDING MOTOR CONTROL, INDUSTRIAL AND DOMESTIC, LIGHTING, HEATING, COPIER, MICROWAVE AND STATIC SWITCH

| Parameters MAX RATINGS | Symbol | FTC16A60F |
|---|------------------|-----------------------|
| R.M.S. ON – STATE CURRENT TC=98 | IT (RMS) | 16A |
| REPETITIVE PEAK OFF-STATE VOLTAGE | VDRM | 600V |
| SURGE ON-STATE CURRENT FULL SINE WAVE 50/60HZ PEAK NON-REPETITIVE | ITSM | 155A@50HZ / 170A@60HZ |
| I ² T FOR FUSE | I ² T | 120A ² S |
| PEAK GATE POWER DISSIPATION | PG | 5W |
| AVERAGE PEAK GATE POWER DISSIPATION | PGAV | 0.5W |
| PEAK GATE CURRENT | IGM | 2A |
| PEAK GATE VOLTAGE | VGM | 10V |
| OPERATING JUNCTION and STORAGE TEMPERATURE RANGE | To/Ts | -40~+125 |

ELECTRICAL CHARACTERISTICS T_j=125

| | | |
|--|----------------------|------------|
| OFF-STATE LEAKAGE CURRENT V _D =V _{DRM} | IDRM | MAX 2mA |
| ON-STATE VOLTAGE I _T =12A, INST | V _{TM} | MAX 1.4V |
| NON-TRIGGER GATE VOLTAGE V _D =1/2V _{DRM} | V _{GD} | MIN 0.2V |
| CRITICAL RATE OF RISE OFF-STATE VOLTAGE | (dv/dt) _c | MIN 10V/uS |
| HOLDING CURRENT | I _H | TYPE 25mA |
| THERMAL IMPEDANCE@ JUNCTION TO CASE | R _{th(j-c)} | MAX 1.4 /W |
| GATE TRIGGER CURRENT V _D =6V, R _L =10 | I _{GT} | MAX 30mA |
| GATE TRIGGER VOLTAGE V _D =6V, R _L =10 | V _{GT} | MAX 1.5V |