

**ebm-papst St. Georgen GmbH & Co. KG**

Hermann-Papst-Straße 1

D-78112 St. Georgen

Phone +49 7724 81-0

Fax +49 7724 81-1309

info2@de.ebmpapst.com

www.ebmpapst.com

Nominal data

Type	8452 /2 H4P	
Nominal voltage	VDC	12
Nominal voltage range	VDC	8 .. 15
Speed	min ⁻¹	6200
Power input	W	6.8
Min. ambient temperature	°C	-20
Max. ambient temperature	°C	70
Air flow	m ³ /h	117
Sound power level	B	6.4
Sound pressure level	dB(A)	50

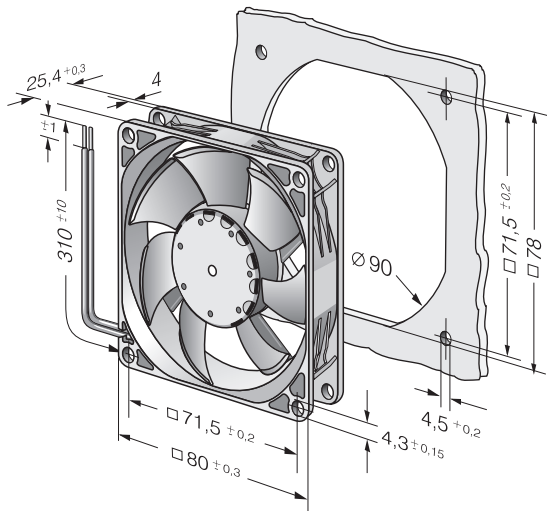
ml = max. load · me = max. efficiency · rfa = running at free air · cs = customer specs · cu = customer unit
Subject to alterations



Technical features

General description	<p>Particular design features:</p> <ul style="list-style-type: none"> Rigid compression curve for high air flow at high counterpressure. Motor has very low structure-borne noise. Innovative impeller with winglets for low noise. Extremely quiet Sintec sleeve bearings and ball bearings. Models with PWM and open collector speed signal. <p>General features:</p> <ul style="list-style-type: none"> Material: fibreglass-reinforced plastic. Impeller PA, housing PBT. Electronic commutation completely integrated. Protected against reverse polarity and locking. Connection via single strands AWG 24, TR 64, bared and tin-plated. Air exhaust over bars. Direction of rotation counter-clockwise seen on rotor. Mass: 105 g.
Mass	0.105 kg
Dimensions	80 x 80 x 25 mm
Lifetime L10 at 40 °C	60000 h
Lifetime L10 at maximum temperature	30000 h

Product drawing



Charts

