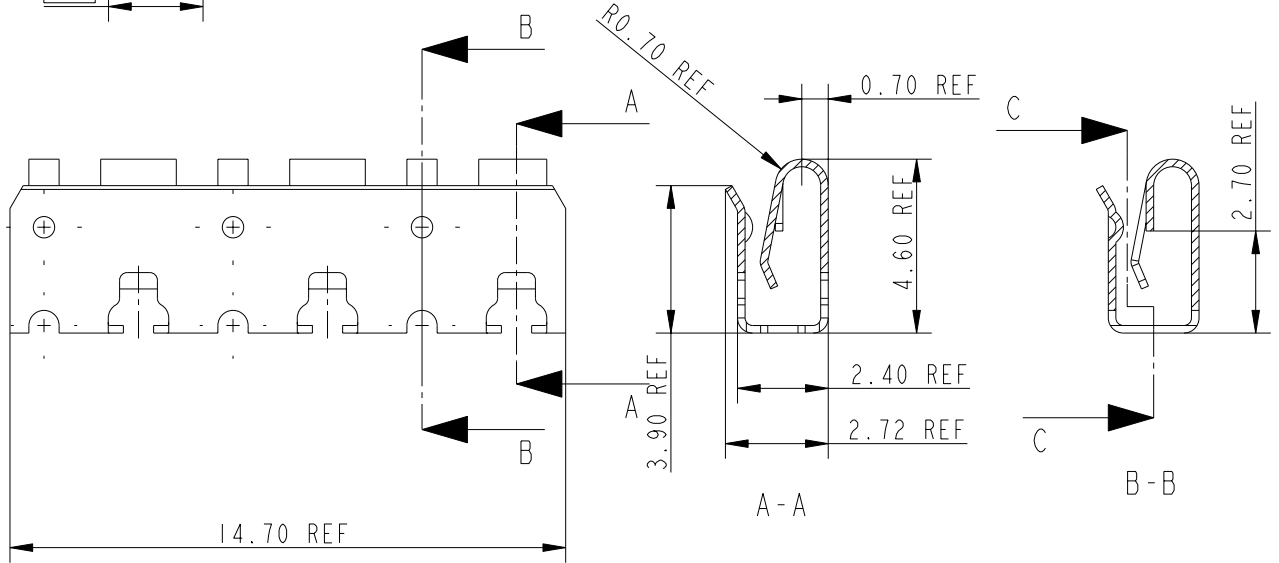
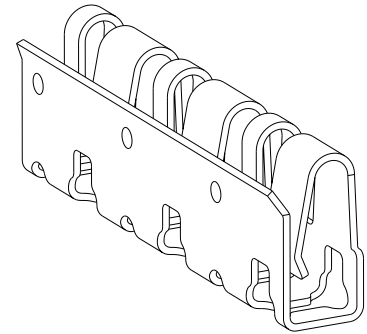
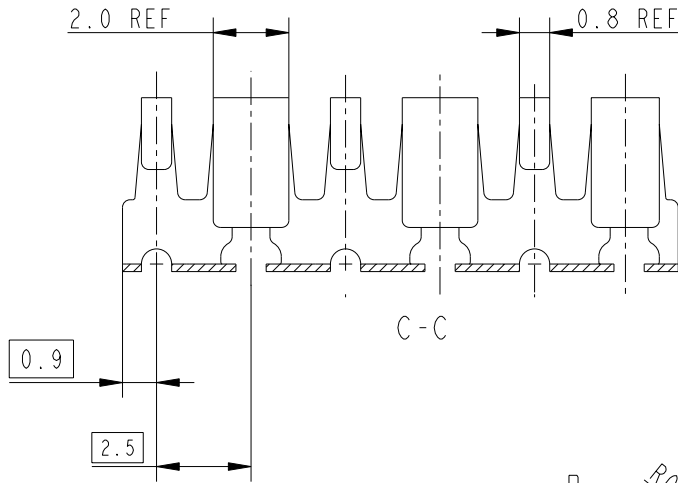


Product-number	Plating
72815-001	min 3 μm Sn over min 0.6 μm Ni
72815-001LF	min 3 μm Sn over min 0.6 μm Ni



Copyright FCI.

rev	ecn no	dr	date
C	B20112	E.S.	30/06/02
D	LS4129	JTA	041215
E	LS05-0086	JTA	30/09/05
F	LS06-0084	LGO	2006-07-01
-	-	-	-
-	-	-	-
-	-	-	-

-ROHS INFORMATIONS:
 -The "LF" product meets European union Directives and other country regulations as described in GS-22-008.
 -The product is not intended to be exposed to a manufacturing solder process.
 -Packaging spec: see GS-14-920.

www.fciconnect.com		surface ISO 1302	tolerance std ISO 406 ISO 1101	projection 	mm
		TOLERANCES UNLESS OTHERWISE SPECIFIED			
Dr	JJA	ANGULAR	0.X	± 0.3	size A4
Eng	G.Nys	LINEAR	0.XX	± 0.1	
Chr	W.Panis	0° $\pm 2^\circ$	0.XXX	± 0.05	ECN
Appr	W.Panis	Product family	60fyx Shielded I/O		Spec ref
		title Change_This		dwg no 72815_C	
catalog no		CUSTOMER COPY		sheet 1 of 1	
				Rev.	F

REV F - 2006-04-17