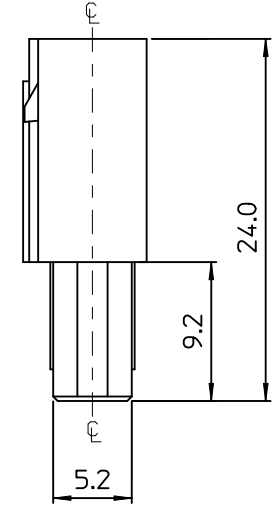
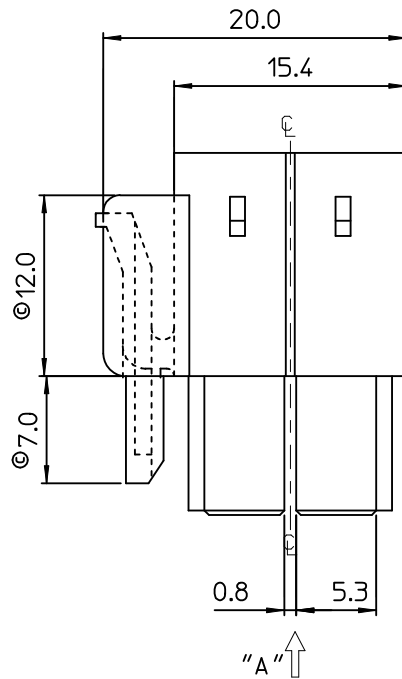
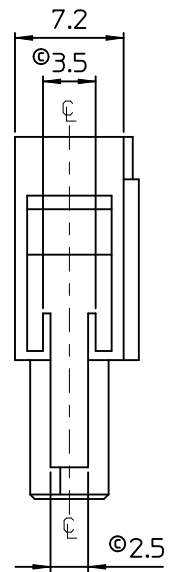


- NOTES.
1. MATERIAL & COLOR : SEE TABLE
 2. MATED HOUSING : 35180-040*
35180-060*
 3. APPLICABLE TERMINAL : 35746-0*10
 4. APPLICABLE T.P.A : 35965-029*
 5. PRODUCT SPECIFICATION : PS-35180-002



PRE-RELEASE
REFERENCE
USE ONLY

NO.	POLYESTER(PBT)		PC/PET(UL94V-0)	
	MATERIAL	COLOR	MATERIAL	COLOR
1	35965-0200	NATURAL	35965-9200	NATURAL
2	35965-0202	RED	35965-9202	RED
3	35965-0203	BLUE	35965-9203	YELLOW
4	35965-0204	BLUE	35965-9204	BLUE

REVISED
EC NO: 2010/01X3
DRWN: JHPARK01
CHKD: WY. YANG
APPR:

QUALITY SYMBOLS
 $\blacktriangledown=0$
 $\nabla=0$
 DESCRIPTION
 REV

GENERAL TOLERANCES (UNLESS SPECIFIED)

	mm	INCH
4 PLACES	\pm ---	\pm ---
3 PLACES	\pm ---	\pm ---
2 PLACES	\pm ---	\pm ---
1 PLACE	\pm 0.3	\pm ---
ANGULAR \pm 1°		

DRAFT WHERE APPLICABLE
MUST REMAIN
WITHIN DIMENSIONS

DIMENSION STYLE
MM ONLY

DRAWN BY	DATE
JS. KANG	1995/09/28
CHECKED BY	DATE
BK. CHOI	1995/09/28
APPROVED BY	DATE
CW. LEE	1995/09/28

MATERIAL NO.
SEE TABLE

SCALE 3:1
DESIGN UNITS METRIC
THIRD ANGLE PROJECTION

TITLE
070 MULTI
FEMALE HSG 2P(A)

MOLEX INCORPORATED
DOCUMENT NO. SD-35965-020*
SHEET NO. 1 OF 01

THIS DRAWING CONTAINS INFORMATION THAT IS PROPRIETARY TO MOLEX INCORPORATED AND SHOULD NOT BE USED WITHOUT WRITTEN PERMISSION