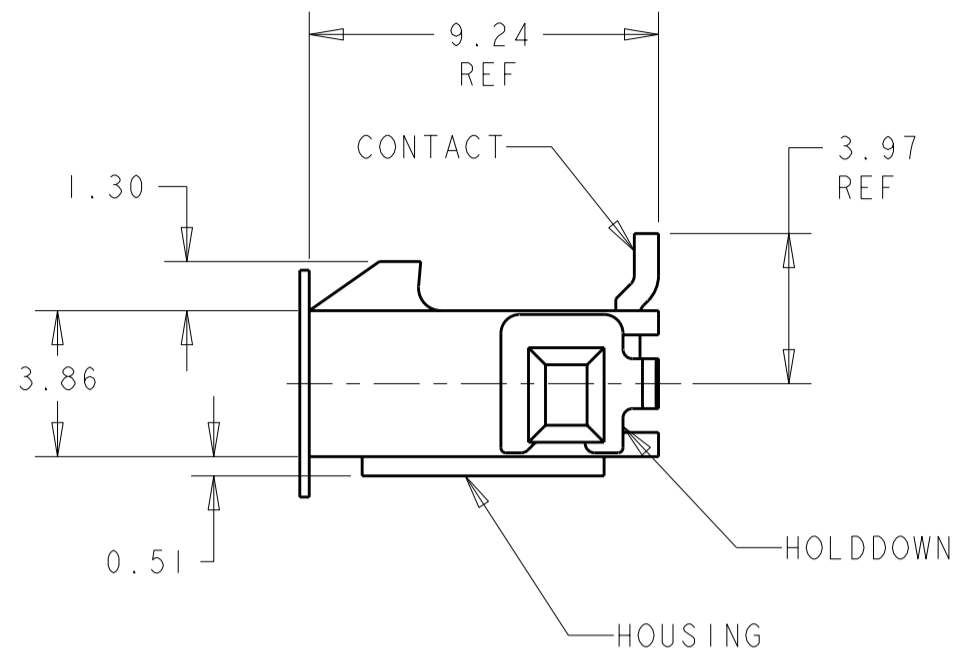
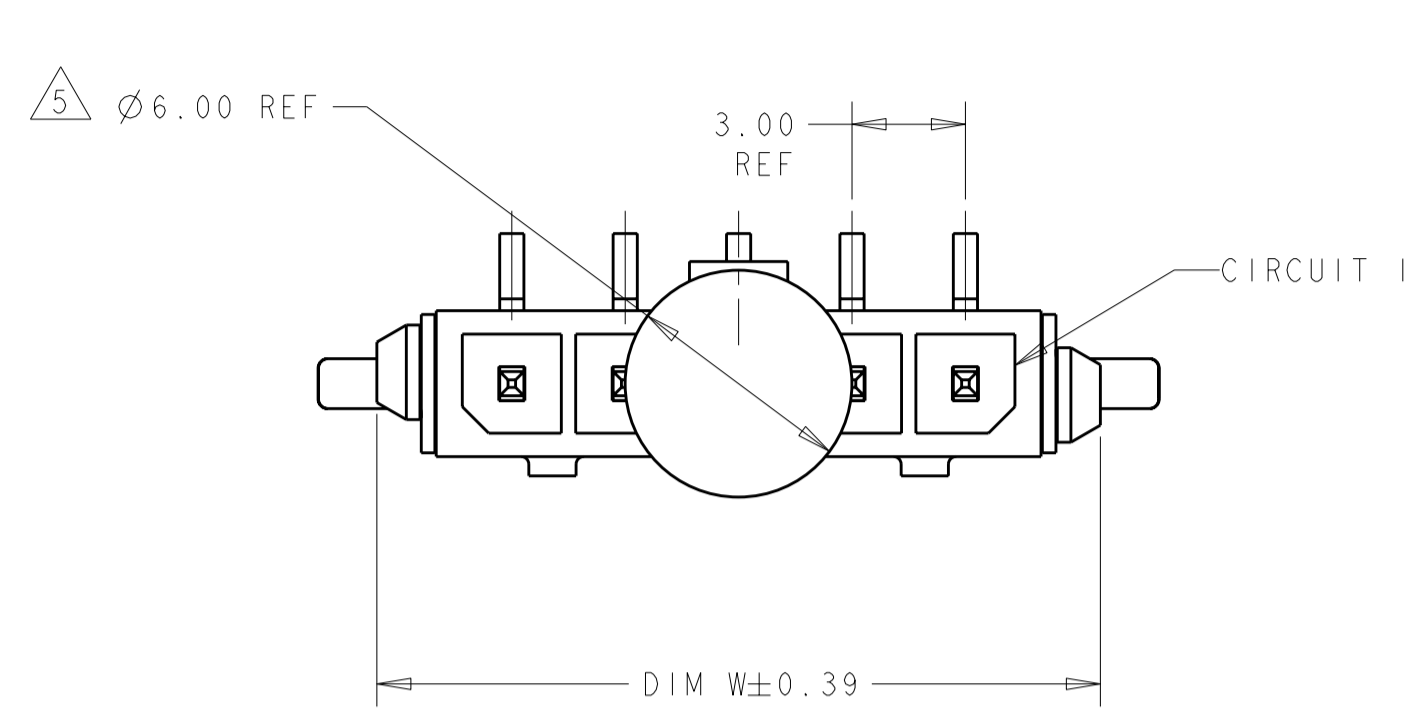
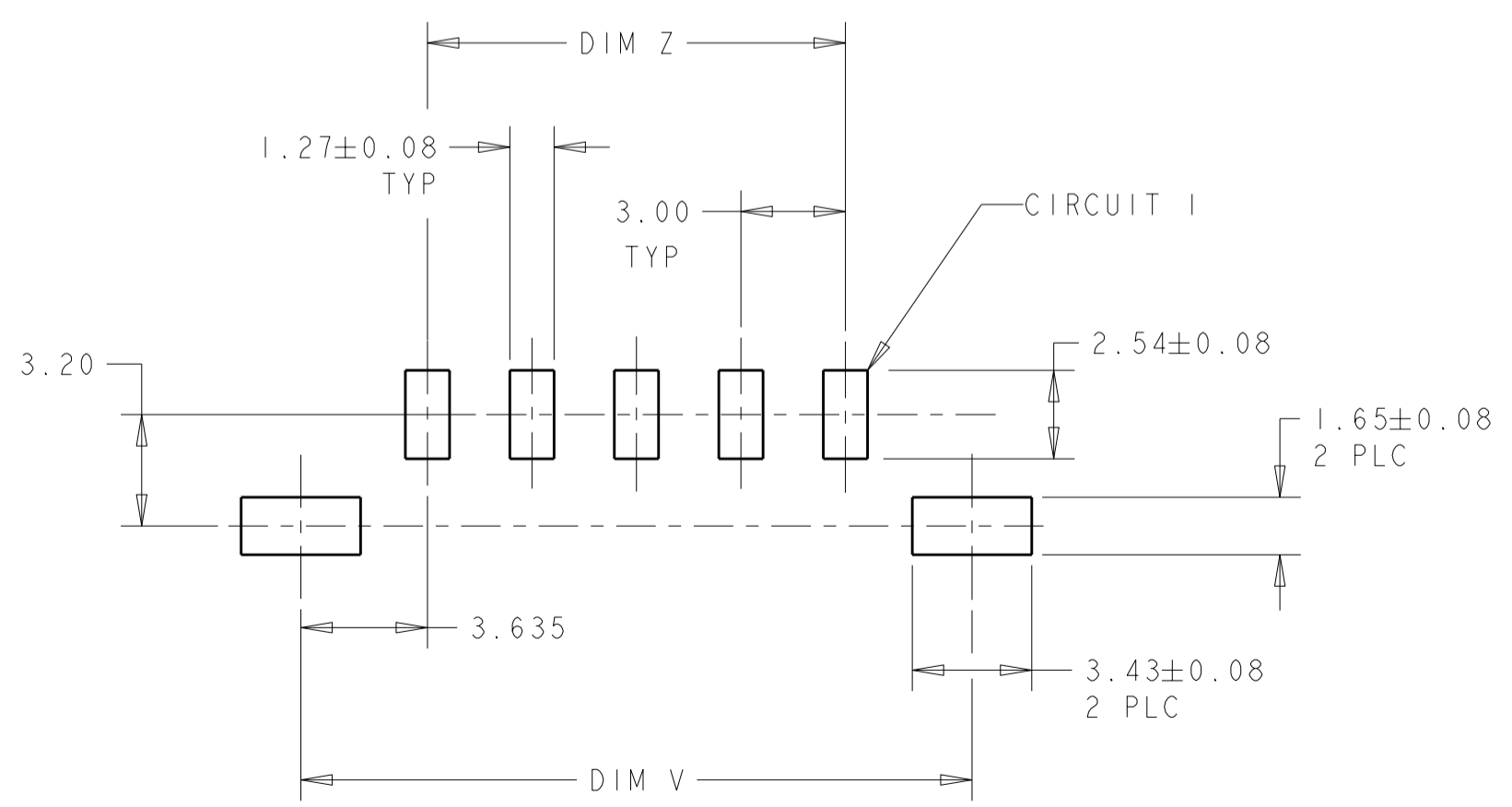
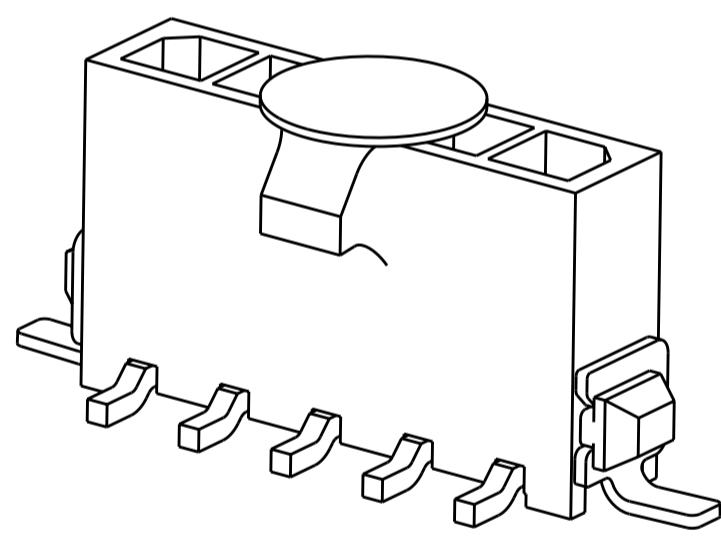
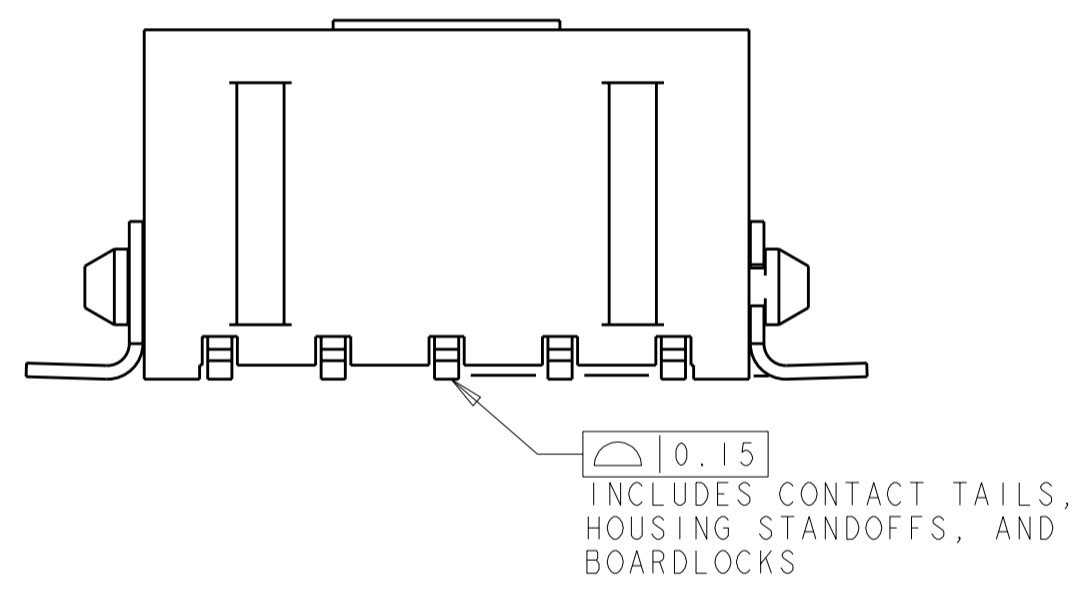


THIS DRAWING IS UNPUBLISHED. RELEASED FOR PUBLICATION 20
 © COPYRIGHT 20 BY - ALL RIGHTS RESERVED.

REVISIONS					
P	LTR	DESCRIPTION	DATE	DWN	APVD
	CI	REVISED PER ECO-11-005027	14MAR2011	RK	HMR



- 1 MATERIAL: CONTACTS - BRASS
HOUSING - UL 94V-0 RATED HIGH TEMP NYLON, COLOR BLACK.
HOLDDOWNS: - PHOSPHOR BRONZE.
- 2 PLATING: CONTACTS - 2.54µm MINIMUM TIN-LEAD OVER 1.27µm MINIMUM NICKEL.
HOLDDOWNS: 2.54µm MINIMUM TIN-LEAD OVER 1.27µm MINIMUM NICKEL.
- 4 RECOMMENDED PC BOARD THICKNESS OF 1.57.
- 5 KAPTON VACUUM PICK UP BUTTON.
- 6 PLATING: CONTACTS - 2.54µm MINIMUM MATTE TIN OVER 1.27µm MINIMUM NICKEL.
HOLDDOWNS: 2.54µm MINIMUM MATTE TIN OVER 1.27µm MINIMUM NICKEL.



PCB LAYOUT COMPONENT SIDE 4

FINISH	DIM Z	DIM V	DIM W	NO. OF POSN	PART NUMBER
6	33.00	40.41	40.00	12	3-1445053-2
6	30.00	37.41	37.00	11	3-1445053-1
6	27.00	34.41	34.00	10	3-1445053-0
6	24.00	31.41	31.00	9	2-1445053-9
6	21.00	28.41	28.00	8	2-1445053-8
6	18.00	25.41	25.00	7	2-1445053-7
6	15.00	22.41	22.00	6	2-1445053-6
6	12.00	19.41	19.00	5	2-1445053-5
6	9.00	16.41	16.00	4	2-1445053-4
6	6.00	13.41	13.00	3	2-1445053-3
6	3.00	10.41	10.00	2	2-1445053-2
2	33.00	40.41	40.00	12	1-1445053-2
2	30.00	37.41	37.00	11	1-1445053-1
2	27.00	34.41	34.00	10	1-1445053-0
2	24.00	31.41	31.00	9	1445053-9
2	21.00	28.41	28.00	8	1445053-8
2	18.00	25.41	25.00	7	1445053-7
2	15.00	22.41	22.00	6	1445053-6
2	12.00	19.41	19.00	5	1445053-5
2	9.00	16.41	16.00	4	1445053-4
2	6.00	13.41	13.00	3	1445053-3
2	3.00	10.41	10.00	2	1445053-2



THIS DRAWING IS A CONTROLLED DOCUMENT. DWN J.ROOT 07OCT2000
 CHK K.WHITAKER 20-FEB-2001
 APVD C.JONES 20-FEB-2001

DIMENSIONS: mm TOLERANCES UNLESS OTHERWISE SPECIFIED:
 0 PLC ±
 1 PLC ±
 2 PLC ±0.13
 3 PLC ±
 4 PLC ±
 ANGLES ±
 FINISH ±

MATERIAL 1 SEE TABLE

PRODUCT SPEC -
 APPLICATION SPEC -
 WEIGHT -

NAME VERTICAL SURFACE MOUNT HEADER ASSY, TIN CONTACTS, SURF MOUNT HOLDDOWNS, SINGLE ROW, MICRO MATE-N-LOK™

SIZE A2 CAGE CODE 00779 DRAWING NO. C-1445053 RESTRICTED TO -
 CUSTOMER DRAWING SCALE 5:1 SHEET 1 OF 1 REV CI