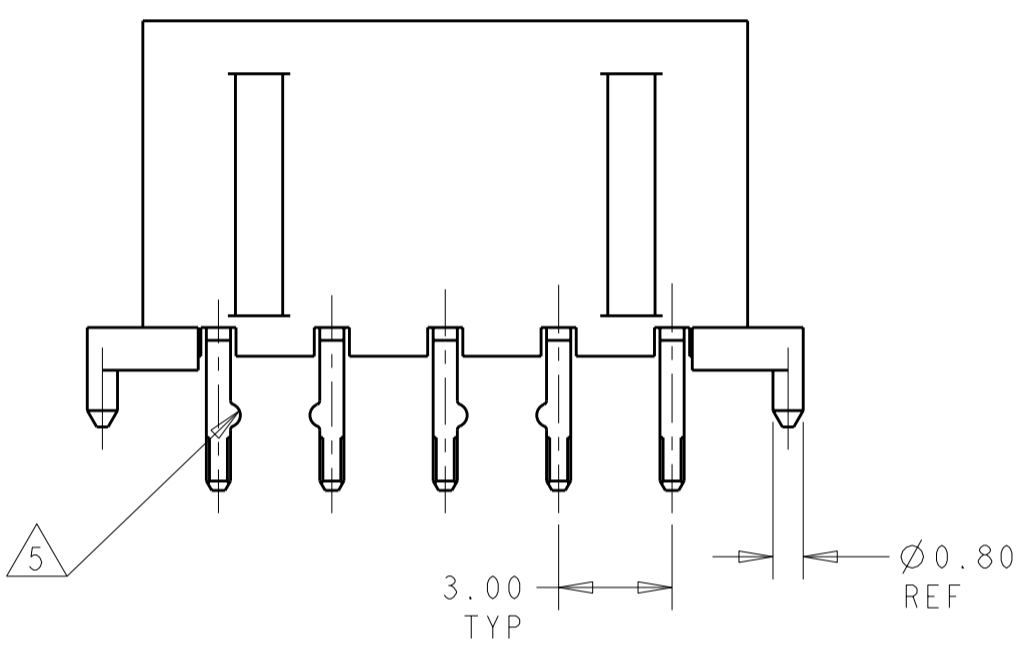
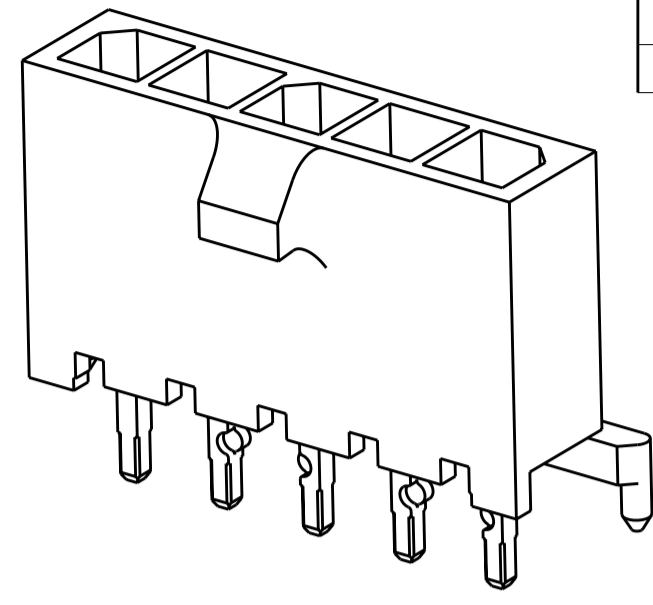
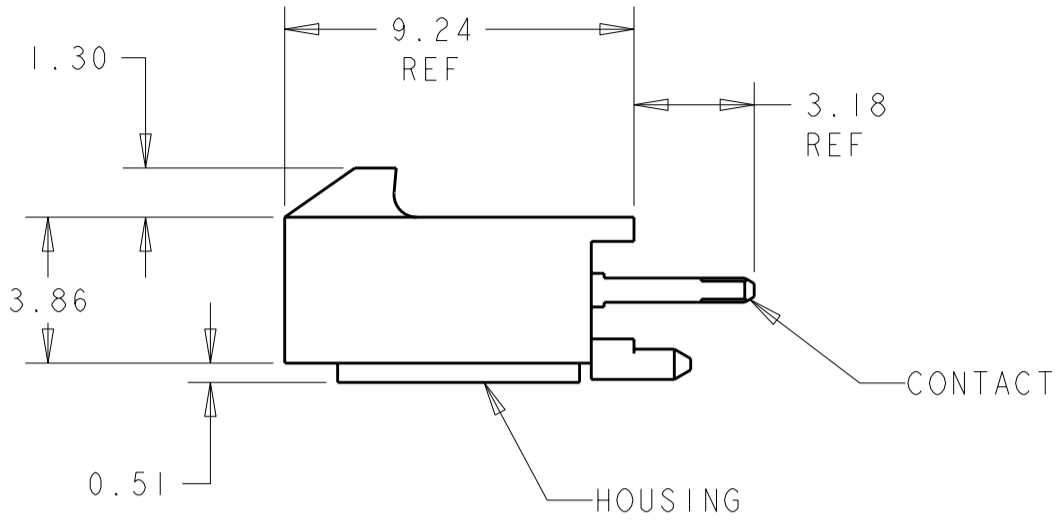
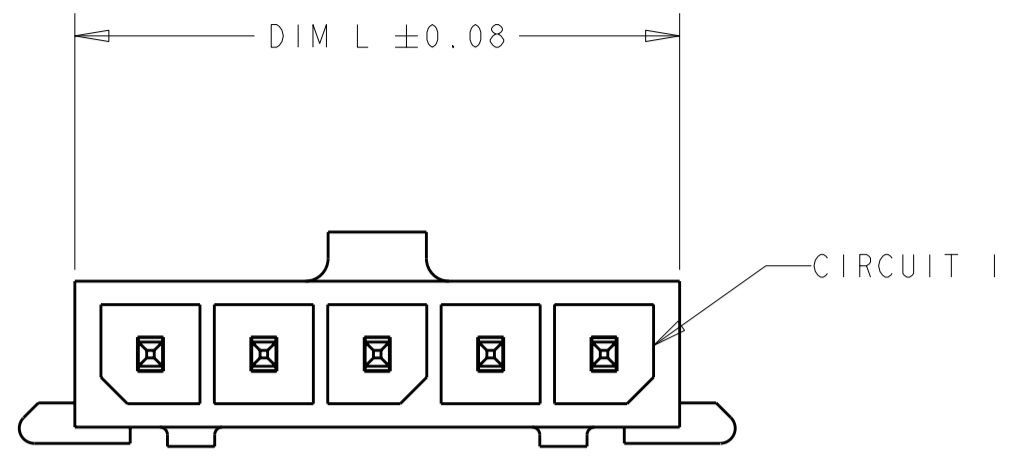
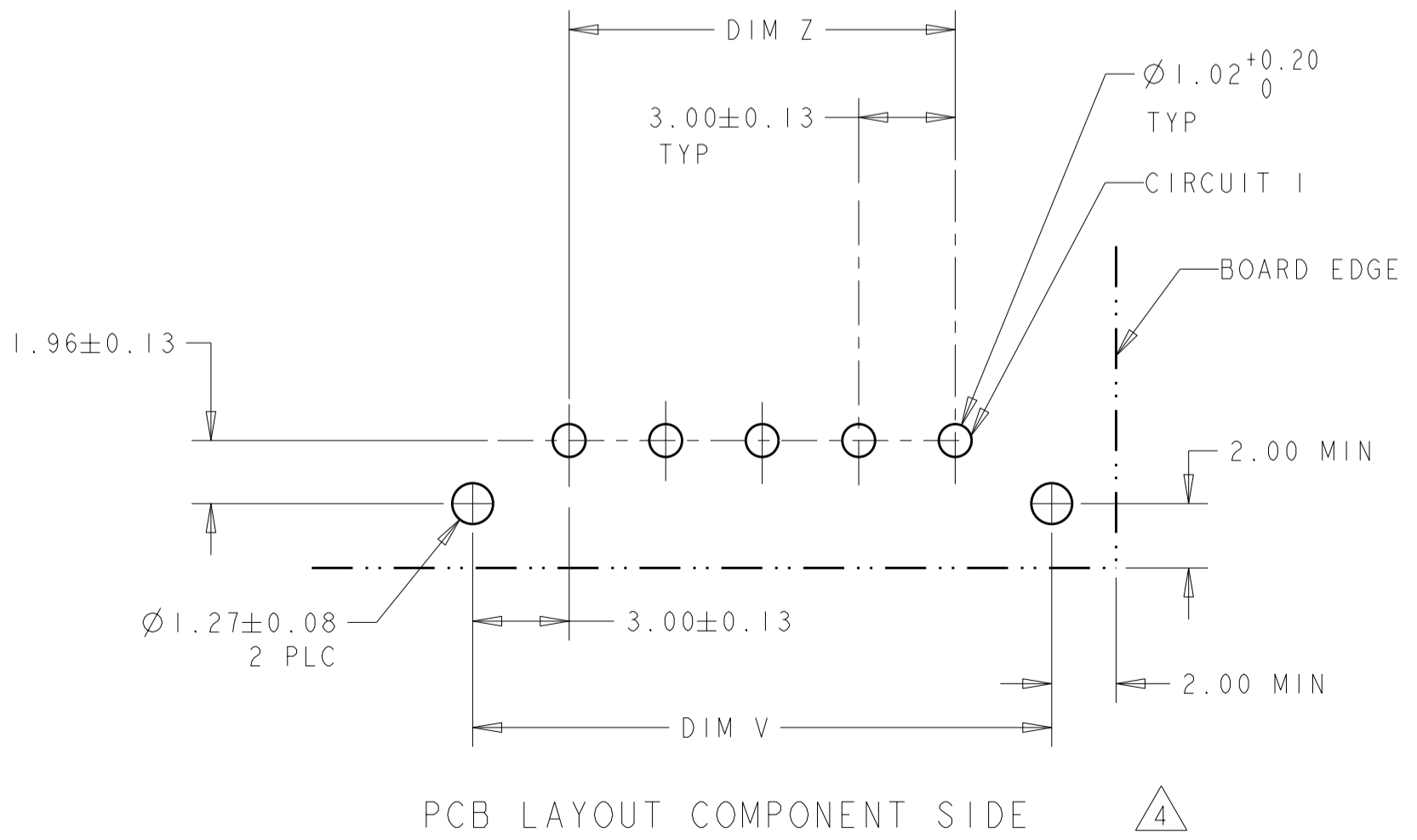


THIS DRAWING IS UNPUBLISHED. RELEASED FOR PUBLICATION 20
 © COPYRIGHT 20 BY - ALL RIGHTS RESERVED.

LOC		DIST		REVISIONS			
P	LTR	DESCRIPTION	DATE	DWN	APVD		
	BI	REVISED PER ECR-12-007353	17MAY2012	KH	TM		



- 1 MATERIAL: CONTACTS - BRASS
HOUSING - UL 94V-0 RATED HIGH TEMP NYLON, COLOR BLACK.
- 2 PLATING: CONTACTS - 2.54µm MINIMUM TIN-LEAD OVER 1.27µm MINIMUM NICKEL.
- 4 RECOMMENDED PC BOARD THICKNESS OF 1.57.
- 5 RETENTION BUMP FEATURES FACE EACH OTHER, TYPICAL ALL CONFIGURATIONS.
- 6 PLATING: CONTACTS - 2.54µm MINIMUM MATTE TIN OVER 1.27µm MINIMUM NICKEL.



FINISH	CON POS W/RET BUMP 5	DIM Z	DIM V	DIM L	NO. OF POSN	PART NUMBER
6	1,2,11,12	33.00	39.14	37.00	12	3-1445050-2
6	1,2,9,10	30.00	36.14	34.00	11	3-1445050-1
6	1,2,9,10	27.00	33.14	31.00	10	3-1445050-0
6	1,2,7,8	24.00	30.14	28.00	9	2-1445050-9
6	1,2,7,8	21.00	27.14	25.00	8	2-1445050-8
6	1,2,5,6	18.00	24.14	22.00	7	2-1445050-7
6	1,2,5,6	15.00	21.14	19.00	6	2-1445050-6
6	1,2,3,4	12.00	18.14	16.00	5	2-1445050-5
6	1,2,3,4	9.00	15.14	13.00	4	2-1445050-4
6	1,2	6.00	12.14	10.00	3	2-1445050-3
6	1,2	3.00	9.14	7.00	2	2-1445050-2
2	1,2,11,12	33.00	39.14	37.00	12	1-1445050-2
2	1,2,9,10	30.00	36.14	34.00	11	1-1445050-1
2	1,2,9,10	27.00	33.14	31.00	10	1-1445050-0
2	1,2,7,8	24.00	30.14	28.00	9	1445050-9
2	1,2,7,8	21.00	27.14	25.00	8	1445050-8
2	1,2,5,6	18.00	24.14	22.00	7	1445050-7
2	1,2,5,6	15.00	21.14	19.00	6	1445050-6
2	1,2,3,4	12.00	18.14	16.00	5	1445050-5
2	1,2,3,4	9.00	15.14	13.00	4	1445050-4
2	1,2	6.00	12.14	10.00	3	1445050-3
2	1,2	3.00	9.14	7.00	2	1445050-2

THIS DRAWING IS A CONTROLLED DOCUMENT. DWN J.ROOT 08OCT2000
 CHK K.WHITAKER 19OCT2000
 APVD K.WHITAKER 12-MAR-2001

STE TE Connectivity

NAME: VERTICAL THRU HOLE HEADER ASSY, TIN CONTACTS W/PCB POLARIZATION FEATURE, SINGLE ROW, MICRO MATE-N-LOK™

SIZE: A2 CAGE CODE: 00779 DRAWING NO: 1445050 RESTRICTED TO: -

MATERIAL: SEE TABLE WEIGHT: -

CUSTOMER DRAWING SCALE: 5:1 SHEET 1 OF 1 REV: BI