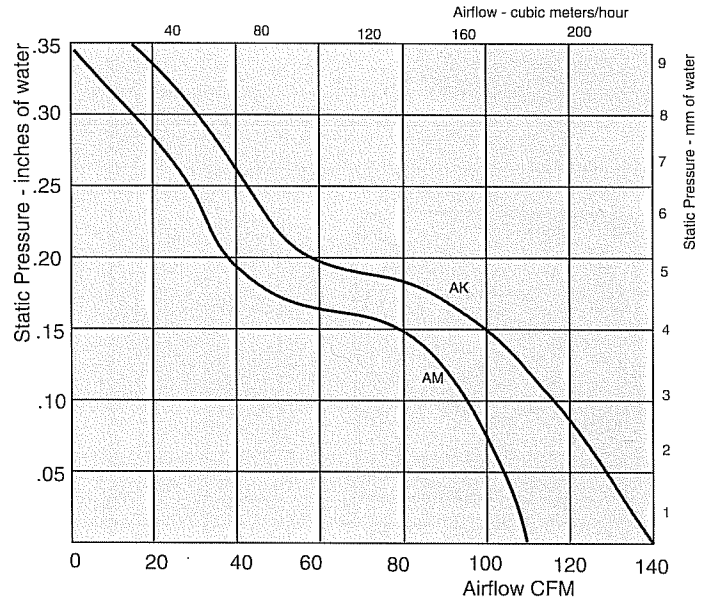


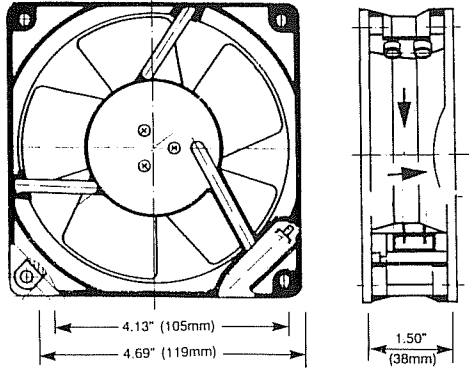
**W2G 110**  
**Brushless DC**  
 4-<sup>11</sup>/<sub>16</sub>" x 1-<sup>1</sup>/<sub>2</sub>"  
 (119mm x 38mm)



**Air Performance**



**Dimensions**



Ball Bearing Max. Temp. 72°C	DC Volts	Watts	CFM	dBA	PSIL dB	Features	Approvals		
							UL	CSA	VDE
W2G110-AK67-31	12	15	140	61	56	Terminals			
W2G110-AK43-31	24	15	140	61	56	Terminals			
W2G110-AM39-31	12	5.3	110	54	49	Terminals	√	√	√
W2G110-AM39-01	12	5.3	110	54	49	10.5" AWG 22 Leads	√	√	√
W2G110-AM39-92	12	5.3	110	54	49	Hall Effect, Leads	√	√	√
W2G110-AM47-31	24	5.6	110	54	49	Terminals	√	√	√
W2G110-AM47-01	24	5.6	110	54	49	10.5" AWG 22 Leads	√	√	√
W2G110-AM47-92	24	5.6	110	54	49	Hall Effect, Leads	√	√	√
W2G110-AM41-31	48	5.9	110	54	49	Terminals	√	√	√
W2G110-AM41-01	48	5.9	110	54	49	10.5" AWG 22 Leads	√	√	√
W2G110-AM41-92	48	5.9	110	54	49	Hall Effect, Leads	√	√	√

UL yellow card E54522, CSA file LR43145, VDE file 1375

**Construction, Mounting & Connection**

**Mounting:** From either face using four .150" (3.8mm) holes.  
**Weight:** 1.15 lbs. (.52kg)  
**Air Flow:** Struts on inlet.  
**Housing:** Aluminum.

**Connection:** Two polarized spade terminals .110" (2.8mm) wide, .020" (.51mm) thick and .33" (8.5mm) long on .295" (7.5mm) centers.  
 Lead wires color coded: Red (+), blue (-).  
**Option:** Opposite air flow direction.