



TAI-SAW TECHNOLOGY CO., LTD.

No. 3, Industrial 2nd Rd., Ping-Chen Industrial District,
Taoyuan, 324, Taiwan, R.O.C.

TEL: 886-3-4690038 FAX: 886-3-4697532

E-mail: ttsales@mail.taisaw.com Web: www.taisaw.com

Product Specifications Approval Sheet

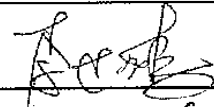
Issued Date:


Product Name: SAW IF Filter 38.9 & 33.9 MHz for Video Applications

TST Parts No.: TB0807A

Customer Parts No.: _____

Customer signature required
Company: _____
Division: _____
Approved by : _____
Date: _____

Checked by: _____ Kazuma Lee 

Approval by: _____ Andrew Lee 

Date: _____ 10 / 23 / 2009

1. Customer signed back is required before TST can proceed with sample build and receive orders.
2. Orders received without customer signed back will be regarded as agreement on the specifications.
3. Any specifications changes must be approved upon by both parties and a new revision of specifications shall be released to reflect the changes.



TAI-SAW TECHNOLOGY CO., LTD.

No.3, Industrial 2nd Rd., Ping-Chen Industrial District, Taoyuan, Taiwan, R.O.C.

TEL : 886-3-4690038 FAX : 886-3-4697532

E-mail : tstsales@ms52.hinet.net Web: www.taisaw.com

IF SAW Filter 33.9 & 38.9 MHz for Video Applications

MODEL NO.: TB0807A

REV. NO.:1

A. FEATURES:

- 1. IF Filter for Video Applications

RoHS Compliant
Lead free
Lead-free soldering

B. MAXIMUM RATING:

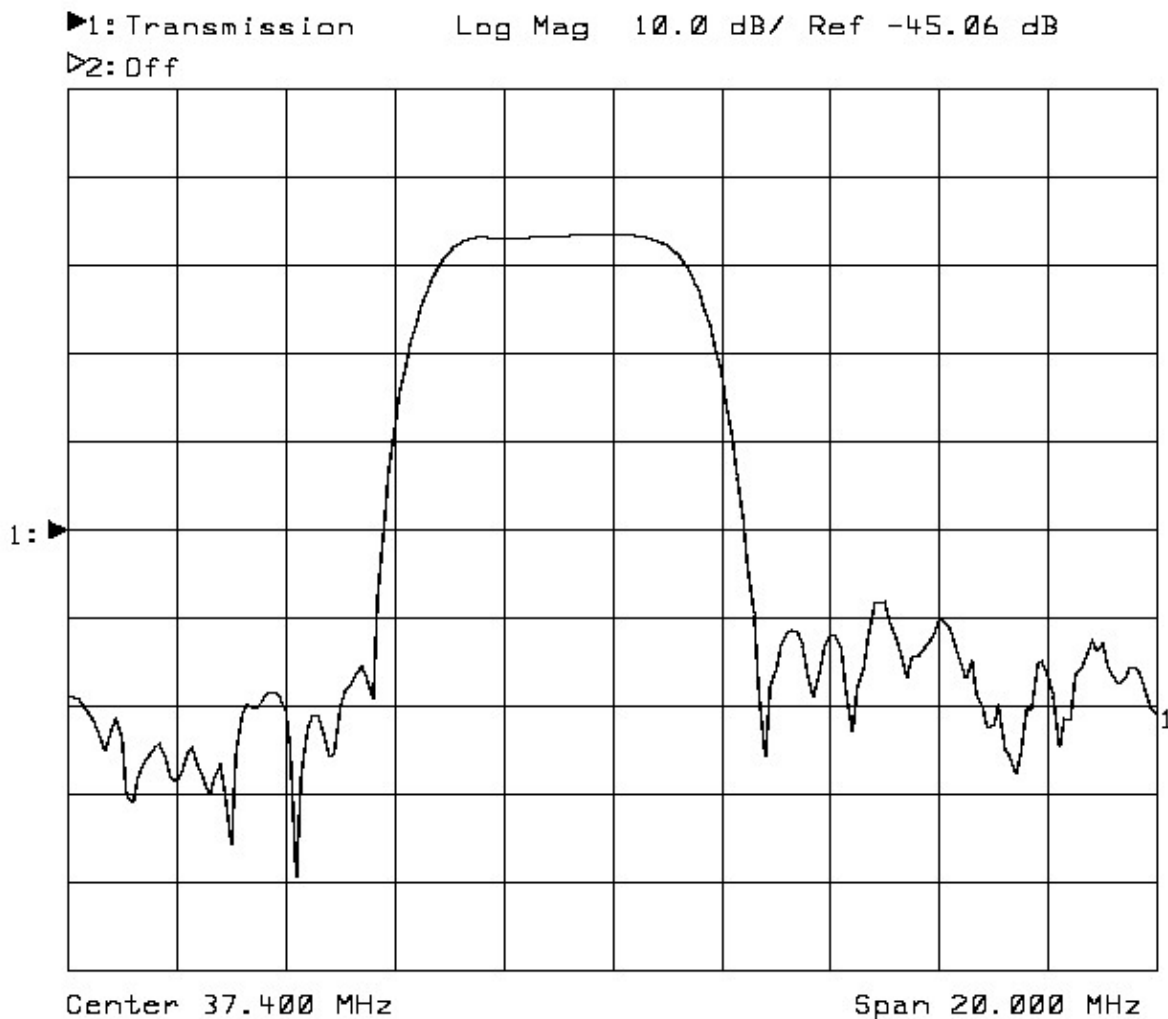
Operating Temperature Range	T _A	-25~65	°C	
Storage Temperature Range	T _{stg}	-40~85	°C	
DC voltage	V _{DC}	12	V	Between any terminals
AC voltage	V _{PP}	10	V	Between any terminals

C. ELECTRICAL CHARACTERISTICS:

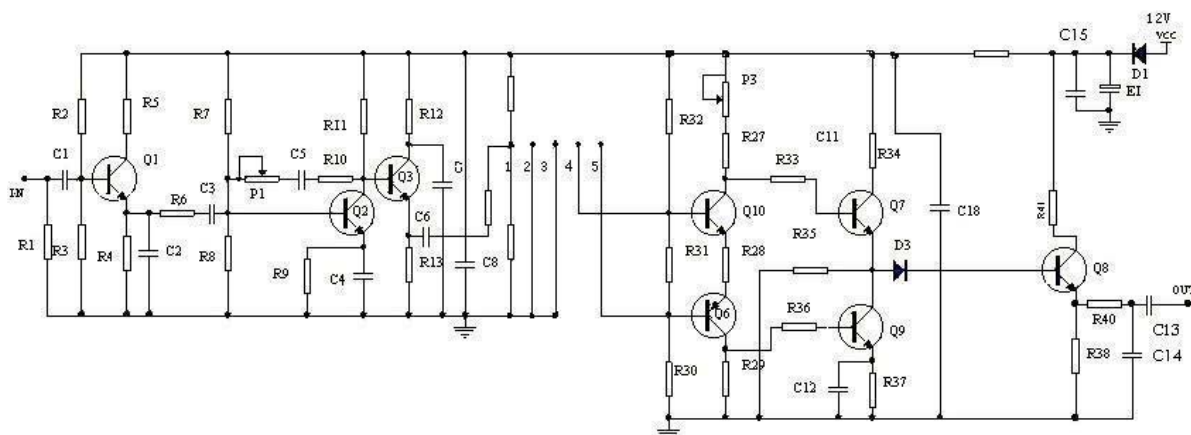
- Reference temperature: Ta=25°C
- Terminating source impedance Z_S=50Ω
- Terminating load impedance Z_L=2kΩ//3 pF

FREQUENCY(MHz)		VALUE			unit
		Min	Typ.	Max.	
Insertion attenuation	37.40 MHz	-	15.5	17.5	dB
Reference Frequency	37.40 MHz	-	0	-	-
Picture carrier	38.90 MHz	3.5	5.0	6.5	dB
	33.90MHz	5.5	8.0	10.5	dB
Color carrier	34.47 MHz	0.0	1.5	3.0	dB
Sound carrier	32.40 MHz	40.0	50.0	-	dB
	32.90 MHz	38.0	48.0	-	dB
Adjacent picture carrier	30.90 MHz	42.0	52.0	-	dB
	31.90 MHz	42.0	52.0	-	dB
Adjacent sound carrier	40.40 MHz	42.0	50.0	-	dB
	40.90 MHz	40.0	48.0	-	dB
Lower sidelobe:	25.00-31.90 MHz	38.0	45.0	-	dB
Upper sidelobe:	40.40-45.00 MHz	37.0	42.0	-	dB
Reflected wave signal suppression		42.0	50.0	-	dB
Feedthrough signal suppression		50.0	56.0	-	dB
Group delay ripple (p-p)		-	50	-	ns
Temperature coefficient	TC	-	-72	-	ppm/K

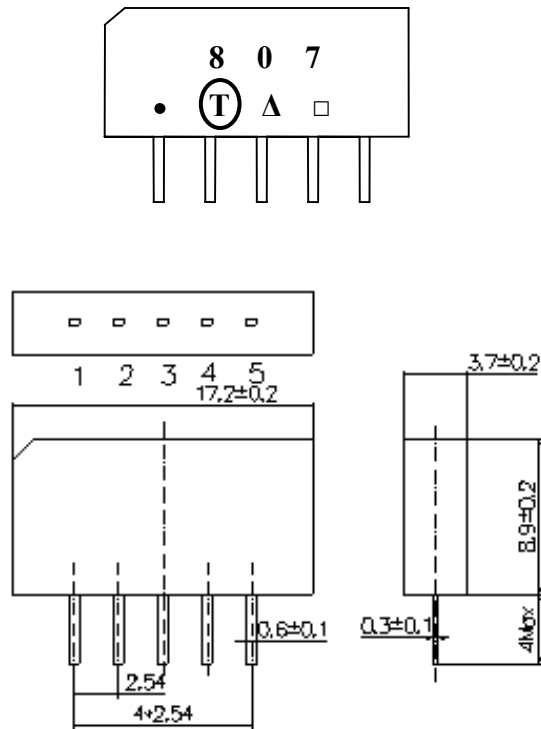
D.FREQUENCY CHARACTERISTICS:



E.TEST CIRCUIT



E. Outline Drawing:



Pin No. Functions

1. Input
2. Input - ground
3. Chip carrier - ground
4. Output
5. Output

□ : Week Code (Follow the table from planner each year)

△ : Product / Year Code

Year	2005 2009	2006 2010	2007 2011	2008 2012
Product Code	B	b	<u>B</u>	<u>b</u>