

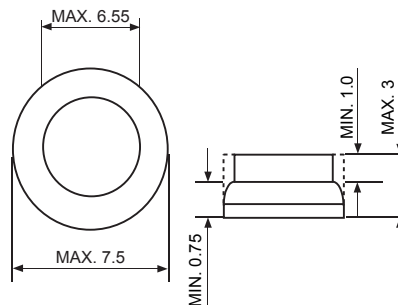
SCFR7002~7006

**Descriptions**



SOZA CELL

**Mechanical Dimension**



Dimensions in inches and (millimeters)

**Features**

- ★ Low forward voltage drop
- ★ High current capability
- ★ High reliability
- ★ High surge current capability

**Mechanical Data**

- ★ Case: OFC Heat Sink
- ★ Encap: Epoxy Sealed Rated  
UL94V-0
- ★ Weight: 0.62gram

**MAXIMUM RATINGS AND ELECTRICAL CHARACTERISTICS**

Rating at 25°C ambient temperature unless otherwise specified.

|   | SYMBOL   | SCFR7002    | SCFR7004 | SCFR7006 | UNIT     |
|---|----------|-------------|----------|----------|----------|
| Maximum Peak Repetitive Reverse Voltage@Irrm=100mA  | VRRM     | 200         | 400      | 600      | V        |
| Maximum RMS Voltage   | VRMS     | 140         | 280      | 420      | V        |
| Maximum DC Blocking Voltage(TA=25°C)  | VB       | 200         | 400      | 600      | V        |
| Maximum Average Forward Current Io@Tc=150°C<br>60 Hz, resistive or inductive load                       | I(AV)    | 70          |          |          | A        |
| Peak Forward Surge Current, 8.3ms single<br>Half sine-wave superimposed on rated load<br>(JEDEC method) | IFSM     | 800         |          |          | A        |
| Maximum Inst. Forward Voltage Drop,<br>IF at 100Amp   | VF       | 1.10        |          |          | V        |
| Maximum DC Reverse Current (VB)@TJ=25°C<br>At Rated DC Blocking Voltage (VB)@TJ=150°C                   | IR       | 5.0<br>250  |          |          | uA<br>uA |
| Operating Junction and Storage Temperature Range  | TJ, TSTG | -65 to +175 |          |          | °C       |

**RATINGS AND CHARACTERISTIC CURVES SCFR7002 ~SCFR7006**

FIG.1 - FORWARD CURRENT DERATING CURVE

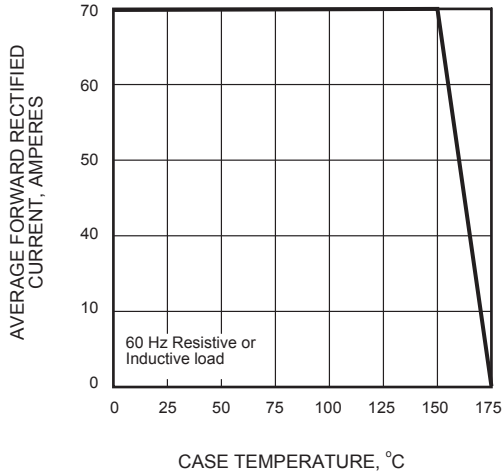


FIG.2 - MAXIMUM NON-REPETITIVE PEAK FORWARD SURGE CURRENT

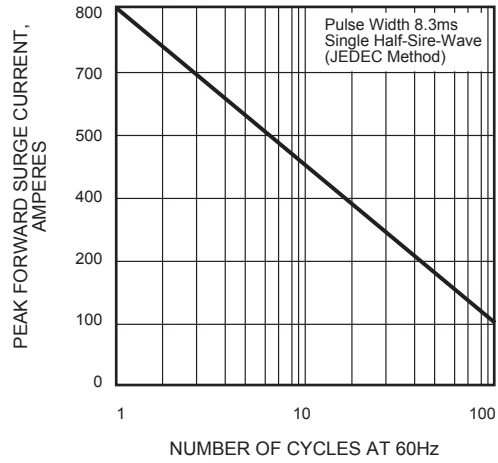


FIG.3 - TYPICAL INSTANTANEOUS FORWARD CHARACTERISTICS

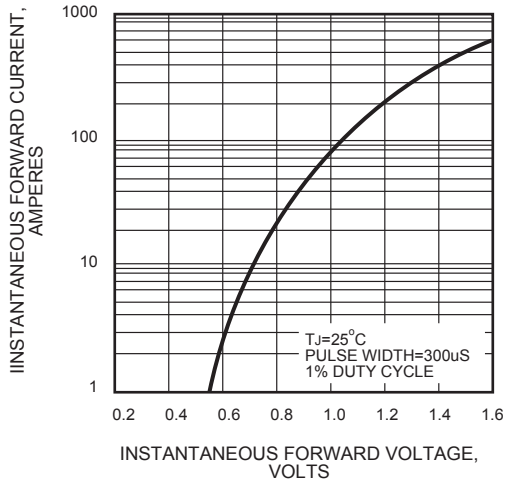


FIG.4 - TYPICAL REVERSE CHARACTERISTICS

