

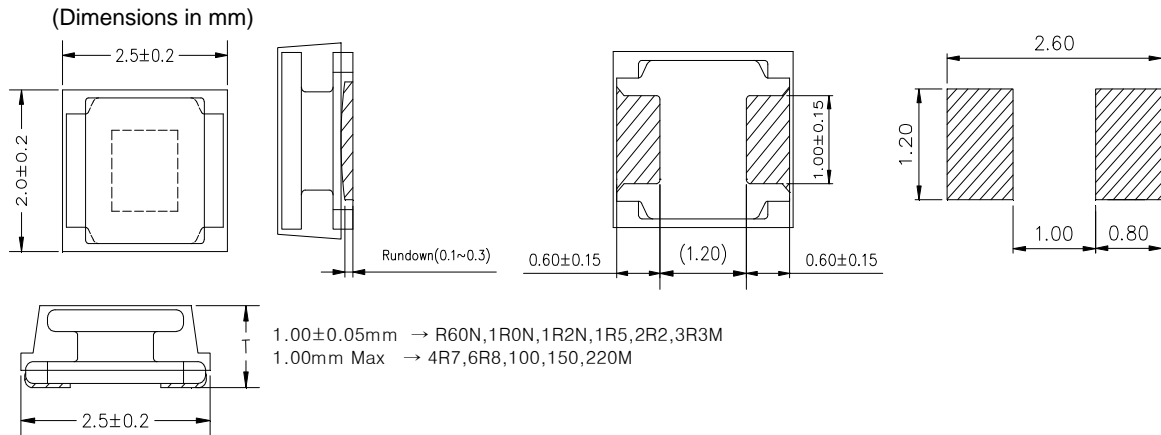
# LPS252010 Series



http://www.abco.co.kr

## SMD Shielded Type

### ▼ Shape & Dimensions / Recommended Solder Land Pattern



### ▼ Electrical Characteristics

Ordering Code	Inductance		Frequency F (KHz)	DC Resistance(Ω) Rdc (±20%)	Rated DC Current(A)	
	L (uH)	Tol. (%)			Idc1 (Max.)	Idc2 (Max.)
LPS252010T-R60N	0.6	±30	100	0.085	2.40	2.00
LPS252010T-1R0N	1.0			0.108	1.85	1.70
LPS252010T-1R2N	1.2			0.160	1.65	1.35
LPS252010T-1R5N	1.5			0.180	1.50	1.30
LPS252010T-2R2M	2.2	±20		0.245	1.25	1.05
LPS252010T-3R3M	3.3			0.380	1.00	0.85
LPS252010T-4R7M	4.7			0.480	0.90	0.78
LPS252010T-6R8M	6.8			0.830	0.75	0.60
LPS252010T-100M	10			1.050	0.64	0.50
LPS252010T-150M	15			1.900	0.45	0.38
LPS252010T-220M	22		2.300	0.40	0.35	

### ▼ Test Equipments

- . L : Agilent E4980A Precision LCR Meter
- . Rdc : HIOKI 3540 mΩ HiTESTER
- . Idc1 : Agilent 4284A LCR Meter + Agilent 42841A Bias Current Source

Packing style

T : Taping

### ▼ Test Condition

- . L(Frequency , Voltage) : F=100 (KHz) , V=0.5 (V)
- . Idc1(The saturation current) : ΔL ≤ 30% reduction from initial L value

### ▼ Operating Temperature Range

-40 ~ +85°C (Including self-generated heat)