



Film capacitors – Power Electronic Capacitors

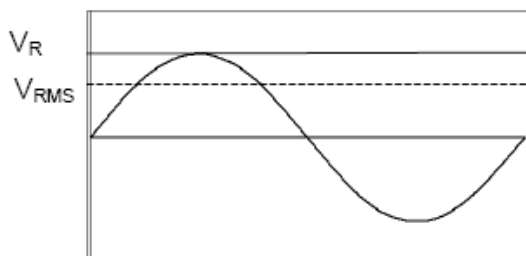
General purpose applications

Series/Type: MKP AC HP
Ordering code: B2536*
Date: May 2012
Version: 2

Construction and general data

- Metallized polypropylene film capacitors
- Aluminum case for general purpose applications
- Oil filling: Castor oil
- Safety device: Overpressure disconnecter, self-healing technology
- Mounting and grounding: Stud on bottom of aluminum can
- Cooling: Naturally air-cooled (or forced air cooling)
- Degree of protection: Indoor mounting
- Pollution degree: PD4

Characteristics			
Rated capacitance C_N	10 ... 150 μF		
Tolerance	$\pm 5\%$		
Connection	M10 terminals		
Rated AC voltage V_{RMS}	Rated DC voltage V_R	Repetitive peak voltage V_i	Non repetitive peak voltage V_s
550 V	780 V	910 V	1800 V
640 V	900 V	1060 V	2100 V
780 V	1100 V	1290 V	2600 V
1000 V	1400 V	1650 V	3300 V



Test data	
Voltage between terminals V_{TT}	$1.5 \cdot V_{\text{RMS}}$, 60 s
Voltage between terminals and aluminium can V_{TC}	3000 V AC_{RMS} , 10 s
Dissipation factor $\tan \delta$ (100 Hz)	$\leq 1.0 \cdot 10^{-3}$
Life test	IEC 61071
Life expectancy	Up to 100 000 hours for $V_{\text{RMS}} \Delta C/C \leq 3\%$

Climatic category 40/70/21

Minimum temperature $\Theta_{\min.}$	-40 °C
Maximum temperature $\Theta_{\max.}$ *	+60 °C
Storage temperature Θ_{stg}	-40 °C ... +85 °C
Maximum hotspot temperature Θ_{hs} **	+70 °C
Humidity	95% ($t_{\text{test}} = 21$ days)
Maximum altitude	2000 m above sea level

*Considering mounting position with terminals to the top. For other mounting position, please request evaluation.

**Maximum temperature allowed at the capacitors hot spot

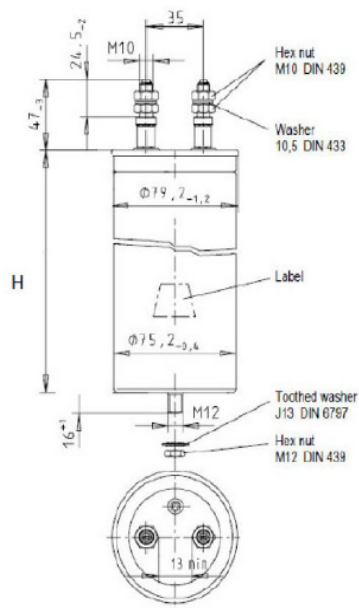
Design data

Dimensions (d x h)	According to specification table
Weight approx.	According to specification table
Impregnation	Castor oil, non PCB
Fixing	Threaded bolt M12
Max. torque	M12: 12 Nm
Max. torque	M10: 10 Nm
Mounting position	Upright

Reference standards

IEC 61071

Certification: UL 810-5th edition

Dimensional drawing M10 screw terminal


Terms and formulas**Maximum current I_{\max}**

The maximum RMS current for continuous operation

Maximum peak current \hat{i}

The maximum current amplitude which occurs instantaneously during continuous operation.

The maximum peak current (\hat{i}) and the maximum rate of voltage rise (dV/dt) max on a capacitor are related as follows:

$$\hat{i} = C \cdot (dv/dt)_{\max}$$

Maximum surge current I_s

The admissible peak current induced by a switching or any other disturbance of the system which is allowed for a limited number of times.

$$I_s = C \cdot (dv/dt)_s$$

Maximum duration:

50 ms/pulse

Maximum number of occurrences:

1000 (during load)

Series Resistance R_s

The series resistance of a capacitor is the result of the resistive losses that occur in the electrodes, in the contacting and in the inner wiring.

The series resistance R_s generates the ohmic losses ($I^2 \cdot R_s$) in a capacitor, and it is largely independent of frequency.

Self-Inductance L_{self}

The self-inductance is produced by the inductance of the terminals and the windings.

With Self-Inductance, it is possible to determine the Resonance Frequency.

$$F = \frac{1}{2\pi \sqrt{L_{\text{self}} C}}$$

Specifications and ordering codes

V_{RMS}	C μF	I_{MAX} A	\hat{I} kA	I_s kA	D mm	H mm	Weight kg	Ordering code
550	33	45	1.9	5.6	75	115	0.6	B25360A5336J050
	47	50	1.9	5.7	75	140	0.8	B25360A5476J050
	68	50	3.8	11.6	75	195	1.1	B25360A5686J050
	95	60	3.8	11.5	75	245	1.5	B25360A5956J050
	130	60	5.2	15.7	85	245	1.6	B25360A5137J050
	150	60	5.2	15.8	85	270	1.7	B25360A5157J050
640	22	40	1.5	4.5	75	115	0.7	B25360A6226J040
	33	45	1.6	4.8	75	140	0.8	B25360A6336J040
	50	50	3.2	9.6	75	195	1.1	B25360A6506J040
	68	60	3.3	9.8	75	245	1.4	B25360A6686J040
	90	60	4.3	13.1	85	245	1.6	B25360A6906J040
	100	60	4.2	12.6	85	270	1.8	B25360A6107J040
780	15	35	1.2	3.6	75	115	0.7	B25360A7156J080
	22	40	1.2	3.7	75	140	0.8	B25360A7226J080
	33	50	2.6	7.9	75	195	1.1	B25360A7336J080
	47	55	2.6	7.9	75	245	1.4	B25360A7476J080
	75	60	3.7	11.1	85	270	1.7	B25360A7756J080
1000	10	30	1.2	3.6	75	115	0.7	B25360A1106J100
	20	40	1.5	5.0	75	140	0.8	B25360A1206J100
	33	50	2.9	8.7	75	245	1.4	B25360A1336J100
	47	60	4.1	12.4	85	245	1.6	B25360A1476J100
	55	60	4.3	12.8	85	270	1.7	B25360A1556J100

Cautions and warnings

- In case of dents of more than 1 mm depth or any other mechanical damage, capacitors must not be used at all. This applies also in cases of leakage.
- To ensure the full functionality of the overpressure disconnecter, elastic elements must not be hindered and a minimum space of 12 mm has to be kept above each capacitor.
- Check tightness of the connections/terminals periodically.
- The energy stored in capacitors may be lethal. To prevent any chance of shock, discharge and short-circuit the capacitor before handling.
- Failure to follow cautions may result, worst case, in premature failures, bursting and fire.
- EPCOS AG is not responsible for any kind of possible damages to persons or things due to improper installation and application of capacitors for power electronics.

Safety

- Electrical or mechanical misapplication of capacitors may be hazardous. Personal injury or property damage may result from bursting of the capacitor or from expulsion of oil or melted material due to mechanical disruption of the capacitor.
- Ensure good, effective grounding for capacitor enclosures.
- Observe appropriate safety precautions during operation (self-recharging phenomena and the high energy contained in capacitors).
- Handle capacitors carefully, because they may still be charged even after disconnection.
- The terminals of capacitors, connected bus bars and cables as well as other devices may also be energized.
- Follow good engineering practice.

Thermal load

After installation of the capacitor it is necessary to verify that maximum hot-spot temperature is not exceeded at extreme service conditions.

Mechanical protection

The capacitor has to be installed in a way that mechanical damages and dents in the aluminum can are avoided.

Storage and operating conditions

Do not use or store capacitors in corrosive atmosphere, especially where chloride gas, sulfide gas, acid, alkali, salt or the like are present. In dusty environments regular maintenance and cleaning especially of the terminals is required to avoid conductive path between phases and/or phases and ground.

The maximum storage temperature is 85 °C.

Overpressure disconnecter

To ensure full functionality of an overpressure disconnecter, the following must be observed:

1. The elastic elements must not be hindered, i.e.
 - connecting lines must be flexible leads (cables).
 - there must be sufficient space for expansion above the connections.
 - folding crimps must not be retained by clamps.
2. Stress parameters of the capacitor must be within the IEC61071 specification.

Service life expectancy

Electrical components do not have an unlimited service life expectancy; this applies to self-healing capacitors, too. The maximum service life expectancy may vary depending on the application the capacitor is used in.

Important notes

The following applies to all products named in this publication:

1. Some parts of this publication contain **statements about the suitability of our products for certain areas of application**. These statements are based on our knowledge of typical requirements that are often placed on our products in the areas of application concerned. We nevertheless expressly point out **that such statements cannot be regarded as binding statements about the suitability of our products for a particular customer application**. As a rule, EPCOS is either unfamiliar with individual customer applications or less familiar with them than the customers themselves. For these reasons, it is always ultimately incumbent on the customer to check and decide whether an EPCOS product with the properties described in the product specification is suitable for use in a particular customer application.
2. We also point out that **in individual cases, a malfunction of electronic components or failure before the end of their usual service life cannot be completely ruled out in the current state of the art, even if they are operated as specified**. In customer applications requiring a very high level of operational safety and especially in customer applications in which the malfunction or failure of an electronic component could endanger human life or health (e.g. in accident prevention or life-saving systems), it must therefore be ensured by means of suitable design of the customer application or other action taken by the customer (e.g. installation of protective circuitry or redundancy) that no injury or damage is sustained by third parties in the event of malfunction or failure of an electronic component.
3. **The warnings, cautions and product-specific notes must be observed.**
4. In order to satisfy certain technical requirements, **some of the products described in this publication may contain substances subject to restrictions in certain jurisdictions (e.g. because they are classed as hazardous)**. Useful information on this will be found in our Material Data Sheets on the Internet (www.epcos.com/material). Should you have any more detailed questions, please contact our sales offices.
5. We constantly strive to improve our products. Consequently, **the products described in this publication may change from time to time**. The same is true of the corresponding product specifications. Please check therefore to what extent product descriptions and specifications contained in this publication are still applicable before or when you place an order. We also **reserve the right to discontinue production and delivery of products**. Consequently, we cannot guarantee that all products named in this publication will always be available. The aforementioned does not apply in the case of individual agreements deviating from the foregoing for customer-specific products.
6. Unless otherwise agreed in individual contracts, **all orders are subject to the current version of the "General Terms of Delivery for Products and Services in the Electrical Industry" published by the German Electrical and Electronics Industry Association (ZVEI)**.
7. The trade names EPCOS, BAOKE, Alu-X, CeraDiode, CeraLink, CSMP, CSSP, CTVS, DeltaCap, DigiSiMic, DSSP, FilterCap, FormFit, MiniBlue, MiniCell, MKD, MKK, MLSC, MotorCap, PCC, PhaseCap, PhaseCube, PhaseMod, PhiCap, SIFERRIT, SIFI, SIKOREL, SilverCap, SIMDAD, SiMic, SIMID, SineFormer, SIOV, SIP5D, SIP5K, ThermoFuse, WindCap are **trademarks registered or pending** in Europe and in other countries. Further information will be found on the Internet at www.epcos.com/trademarks.