

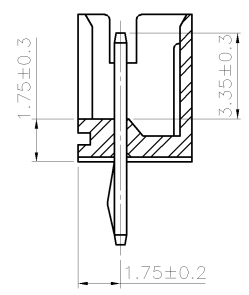
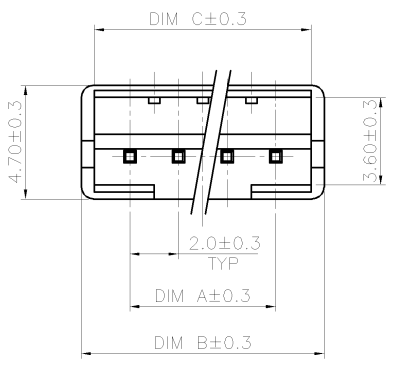
THIS DRAWING IS UNPUBLISHED. RELEASED FOR PUBLICATION AUG ,2006.

© COPYRIGHT 2009 BY TYCO ELECTRONICS CORPORATION. ALL RIGHTS RESERVED.

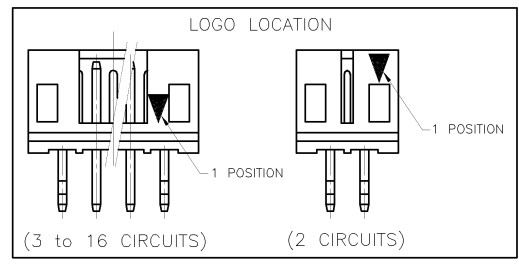
LOC DW DIST

REVISIONS

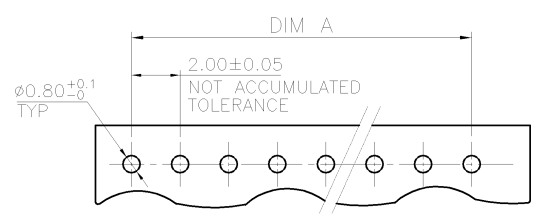
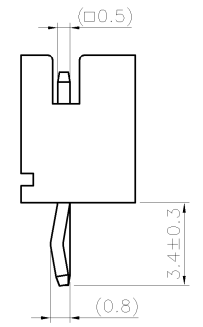
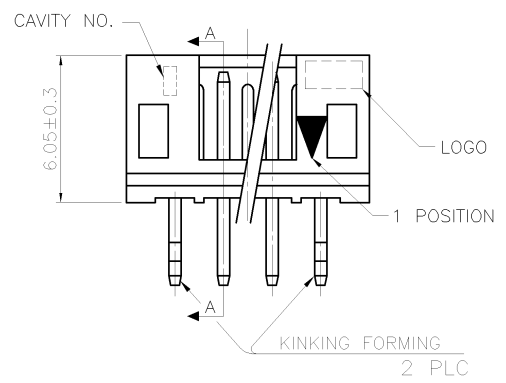
P	LTR	DESCRIPTION	DATE	DWN	APVD
E1		REVISED (ECR-11-005810)	21MAR11	JL	WK



SEC. A-A



- NOTES:
 1. MATERIAL:
 HOUSING: NYLON 66, UL94V-0, COLOR: SEE TABLE.
 CONTACT: BRASS, THICKNESS=0.50mm.
 2. FINISH:
 2.03um[80u"] MIN. BRIGHT-TIN PLATING ON CONTACT.
 1.27um[50u"] MIN. NICKEL ENTIRE CONTACT UNDERPLATED.
 3. WAVE SOLDER CAPABLE TO 265°C PER TEST SPEC.
 109-202, CONDITION B.
 4. RAISED TYPE PN: 9-440054-2



RECOMMENDED PCB LAYOUT (PCB THK=1.0~1.6)

PACKAGE	COLOR	DIM C	DIM B	DIM A	POS.	PART NUMBER
RED		10.90	12.00	8.00	5P	8-440054-9
		8.90	10.00	6.00	4P	8-440054-8
		6.90	8.00	4.00	3P	8-440054-7
BLACK		4.90	6.00	2.00	2P	8-440054-6
		10.90	12.00	8.00	5P	6-440054-9
		8.90	10.00	6.00	4P	6-440054-8
YELLOW		6.90	8.00	4.00	3P	6-440054-7
		4.90	6.00	2.00	2P	6-440054-6
		10.90	12.00	8.00	5P	4-440054-9
BLUE		8.90	10.00	6.00	4P	4-440054-8
		6.90	8.00	4.00	3P	4-440054-7
		4.90	6.00	2.00	2P	4-440054-6
NATURAL WHITE		10.90	12.00	8.00	5P	2-440054-9
		8.90	10.00	6.00	4P	2-440054-8
		6.90	8.00	4.00	3P	2-440054-7
POLY BAG	NATURAL WHITE	4.90	6.00	2.00	2P	2-440054-6
		32.90	34.00	30.00	16P	5-440054-4
		30.90	32.00	28.00	15P	5-440054-5
POLY BAG	NATURAL WHITE	28.90	30.00	26.00	14P	5-440054-4
		26.90	28.00	24.00	13P	5-440054-3
		24.90	26.00	22.00	12P	5-440054-2
POLY BAG	NATURAL WHITE	22.90	24.00	20.00	11P	5-440054-1
		20.90	22.00	18.00	10P	5-440054-0
		18.90	20.00	16.00	9P	3-440054-9
POLY BAG	NATURAL WHITE	16.90	18.00	14.00	8P	3-440054-8
		14.90	16.00	12.00	7P	3-440054-7
		12.90	14.00	10.00	6P	3-440054-6
POLY BAG	NATURAL WHITE	10.90	12.00	8.00	5P	3-440054-5
		8.90	10.00	6.00	4P	3-440054-4
		6.90	8.00	4.00	3P	3-440054-3
POLY BAG	NATURAL WHITE	4.90	6.00	2.00	2P	3-440054-2
		8.90	10.00	6.00	4P	440054-4
		6.90	8.00	4.00	3P	440054-3
POLY BAG	NATURAL WHITE	4.90	6.00	2.00	2P	440054-2

PACKAGE	COLOR	DIM C	DIM B	DIM A	POS.	PART NUMBER
RED		10.90	12.00	8.00	5P	8-440054-5
		8.90	10.00	6.00	4P	8-440054-4
		6.90	8.00	4.00	3P	8-440054-3
BLACK		4.90	6.00	2.00	2P	8-440054-2
		10.90	12.00	8.00	5P	6-440054-5
		8.90	10.00	6.00	4P	6-440054-4
YELLOW		6.90	8.00	4.00	3P	6-440054-3
		4.90	6.00	2.00	2P	6-440054-2
		24.90	26.00	22.00	12P	7-440054-6
BLUE		22.90	24.00	20.00	11P	7-440054-5
		20.90	22.00	18.00	10P	7-440054-4
		18.90	20.00	16.00	9P	7-440054-3
NATURAL WHITE		16.90	18.00	14.00	8P	7-440054-2
		14.90	16.00	12.00	7P	7-440054-1
		12.90	14.00	10.00	6P	7-440054-0
POLY BAG	NATURAL WHITE	10.90	12.00	8.00	5P	4-440054-5
		8.90	10.00	6.00	4P	4-440054-4
		6.90	8.00	4.00	3P	4-440054-3
POLY BAG	NATURAL WHITE	4.90	6.00	2.00	2P	4-440054-2
		32.90	34.00	30.00	16P	1-440054-6
		30.90	32.00	28.00	15P	1-440054-5
POLY BAG	NATURAL WHITE	28.90	30.00	26.00	14P	1-440054-4
		26.90	28.00	24.00	13P	1-440054-3
		24.90	26.00	22.00	12P	1-440054-2
POLY BAG	NATURAL WHITE	22.90	24.00	20.00	11P	1-440054-1
		20.90	22.00	18.00	10P	1-440054-0
		18.90	20.00	16.00	9P	440054-9
POLY BAG	NATURAL WHITE	16.90	18.00	14.00	8P	440054-8
		14.90	16.00	12.00	7P	440054-7
		12.90	14.00	10.00	6P	440054-6
POLY BAG	NATURAL WHITE	10.90	12.00	8.00	5P	440054-5
		8.90	10.00	6.00	4P	440054-4
		6.90	8.00	4.00	3P	440054-3
POLY BAG	NATURAL WHITE	4.90	6.00	2.00	2P	440054-2

THIS DRAWING IS A CONTROLLED DOCUMENT. DWN O. HU 16JUL2004
 CHK S. HOU 16JUL2004
 APVD W.J. KE 16JUL2004

DIMENSIONS: MM
 TOLERANCES UNLESS OTHERWISE SPECIFIED:
 0 PLC ± -
 1 PLC ± 0.3
 2 PLC ± 0.2
 3 PLC ± 0.15
 4 PLC ± -
 ANGLES ± 3'

MATERIAL SEE NOTE FINISH SEE NOTE

PRODUCT SPEC 108-57100
 APPLICATION SPEC

WEIGHT - GRAMS

CUSTOMER DRAWING

NAME 2.0 MM PITCH HPI VERTICAL POST HEADERS

SIZE A3 CAGE CODE 00779 DRAWING NO C-440054 RESTRICTED TO -

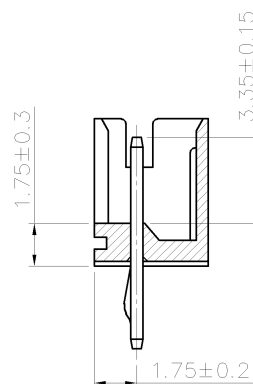
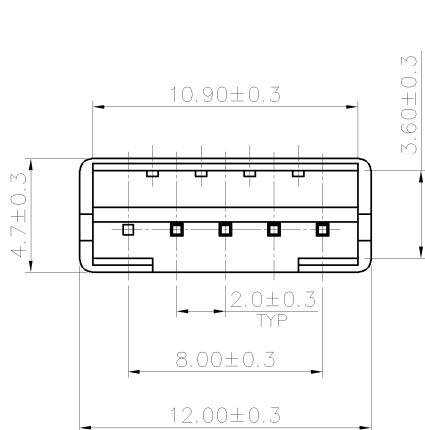
SCALE - SHEET 1 OF 5 REV E1

TE Connectivity

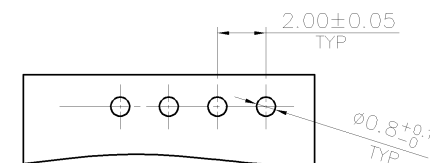
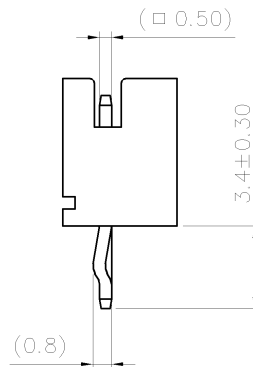
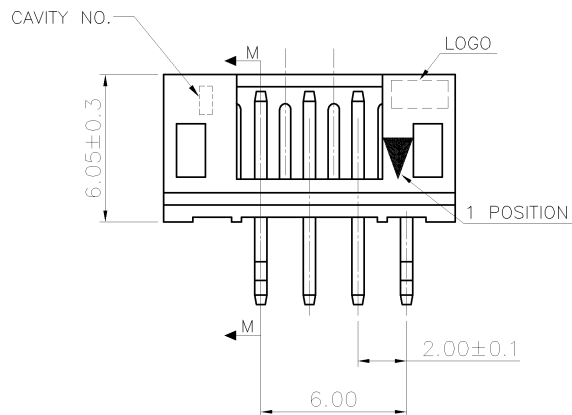
LOC DIST
DW

REVISIONS

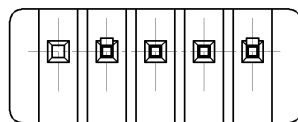
P	LTR	DESCRIPTION	DATE	DWN	APVD
		SEE SHEET 1.			



SECTION M-M



RECOMMENDER PCB LAYOUT
(PCB THK=1.0~1.6mm)



POLY BAG	NATURAL WHITE	PIN 5	4P	9-440054-5
PACKAGE	COLOR	PIN NUMBER LACKED	POS.	PART NUMBER

THIS DRAWING IS A CONTROLLED DOCUMENT.		DWN	STE TE Connectivity		
DIMENSIONS: MM		CHK			
TOLERANCES UNLESS OTHERWISE SPECIFIED:		APVD	2.0 MM PITCH HPI VERTICAL POST HEADERS		
0 PLC ± -		PRODUCT SPEC	-		
1 PLC ± 0.3		APPLICATION SPEC	-		
2 PLC ± 0.2		WEIGHT	-		
3 PLC ± 0.15		SIZE		CAGE CODE	DRAWING NO
4 PLC ± -		A3		00779	C=440054
4 ANGLES ± 3'		CUSTOMER DRAWING		RESTRICTED TO	-
MATERIAL	FINISH	SCALE		SHEET	REV
SEE NOTE (PAGE 1.)	SEE NOTE (PAGE 1.)	-		2 OF 5	E1

THIS DRAWING IS UNPUBLISHED.

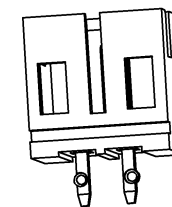
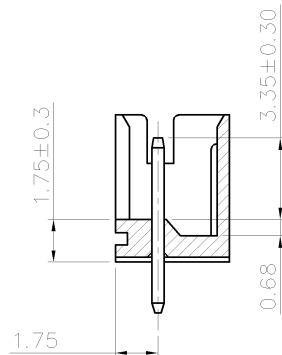
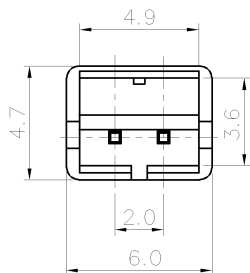
RELEASED FOR PUBLICATION AUG ,2006.

© COPYRIGHT 2009 BY TYCO ELECTRONICS CORPORATION. ALL RIGHTS RESERVED.

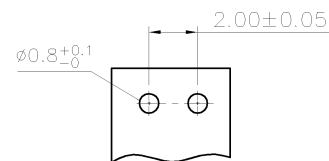
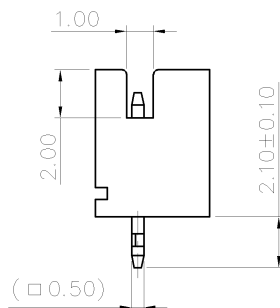
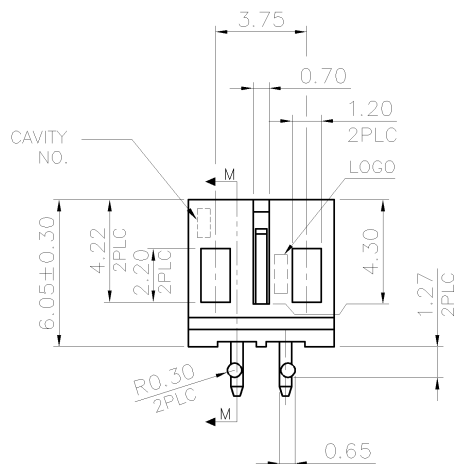
LOC DW DIST

REVISIONS

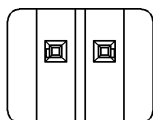
P	LTR	DESCRIPTION	DATE	DWN	APVD
		SEE SHEET 1.			



SECTION M-M



RECOMMENDED PCB LAYOUT (PCB THK=1.0MM~1.6MM)



POLY BAG	NATURAL WHITE	2P	9-440054-2
PACKAGE	COLOR	POS.	PART NUMBER

THIS DRAWING IS A CONTROLLED DOCUMENT.		DWN	STE TE Connectivity	
DIMENSIONS: MM		CHK		
TOLERANCES UNLESS OTHERWISE SPECIFIED:		APVD	NAME	
0 PLC ± -		PRODUCT SPEC	2.0 MM PITCH HPI VERTICAL POST HEADERS	
1 PLC ± 0.3		APPLICATION SPEC	SIZE	CAGE CODE
2 PLC ± 0.2		WEIGHT	A3	00779
3 PLC ± 0.15			DRAWING NO. C=440054	
4 PLC ± -			RESTRICTED TO	
ANGLES ± 3'				
MATERIAL	FINISH	CUSTOMER DRAWING		SCALE
SEE NOTE (PAGE 1.)	SEE NOTE (PAGE 1.)			SHEET 3 of 5
				REV E1

THIS DRAWING IS UNPUBLISHED. RELEASED FOR PUBLICATION AUG ,2006.
 © COPYRIGHT 2009 BY TYCO ELECTRONICS CORPORATION. ALL RIGHTS RESERVED.

LOC	DIST	REVISIONS					
DW		P	LTR	DESCRIPTION	DATE	DWN	APVD
				SEE SHEET 1.			

POLY BAG

CARTON

340mm(L)X 470mm(W)X 178mm(H)
 (FOR HEADER 2P~5P ONLY)

340mm(L)X 470mm(W)X 365mm(H)
 (FOR HEADER 6P~16P ONLY)

INEER BOX

320mm(L)X 220mm(W)X 155mm(H)

17,600	550	4P	9-440054-5
40,000	1,000	2P	9-440054-2
17,600	550	5P	8-440054-5
20,800	650	4P	8-440054-4
27,000	750	3P	8-440054-3
40,000	1,000	2P	8-440054-2
17,600	550	5P	6-440054-5
20,800	650	4P	6-440054-4
27,000	750	3P	6-440054-3
40,000	1,000	2P	6-440054-2
16,000	250	12P	7-440054-6
18,000	250	11P	7-440054-5
19,200	300	10P	7-440054-4
22,400	350	9P	7-440054-3
22,400	350	8P	7-440054-2
25,600	400	7P	7-440054-1
28,800	450	6P	7-440054-0
17,600	550	5P	4-440054-5
20,800	650	4P	4-440054-4
27,000	750	3P	4-440054-3
40,000	1,000	2P	4-440054-2
17,600	550	5P	2-440054-5
20,800	650	4P	2-440054-4
27,000	750	3P	2-440054-3
40,000	1,000	2P	2-440054-2
12,000	200	16P	1-440054-6
12,000	200	15P	1-440054-5
12,800	200	14P	1-440054-4
15,000	250	13P	1-440054-3
16,000	250	12P	1-440054-2
18,000	250	11P	1-440054-1
19,200	300	10P	1-440054-0
22,400	350	9P	440054-9
22,400	350	8P	440054-8
25,600	400	7P	440054-7
28,800	450	6P	440054-6
17,600	550	5P	440054-5
20,800	650	4P	440054-4
27,000	750	3P	440054-3
40,000	1,000	2P	440054-2
APQ	PPQ	POS.	PART NUMBER
(PCS/CARTON)	(PCS/BAG)		

THIS DRAWING IS A CONTROLLED DOCUMENT.		DWN	STE TE Connectivity	
DIMENSIONS: MM		CHK		
TOLERANCES UNLESS OTHERWISE SPECIFIED:		APVD	NAME	
0 PLC ± -		PRODUCT SPEC	2.0 MM PITCH HPI VERTICAL POST HEADERS	
1 PLC ± -		APPLICATION SPEC	SIZE	CAGE CODE
2 PLC ± -		WEIGHT	A3	00779
3 PLC ± -		CUSTOMER DRAWING	DRAWING NO	RESTRICTED TO
4 PLC ± -			C-440054	
ANGLES ± -		SCALE	SHEET	REV
MATERIAL			4 OF 5	E1
FINISH				

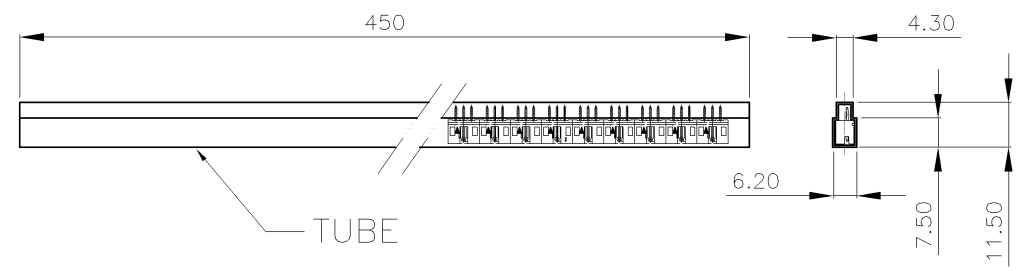
THIS DRAWING IS UNPUBLISHED. RELEASED FOR PUBLICATION AUG ,2006.

© COPYRIGHT 2009 BY TYCO ELECTRONICS CORPORATION. ALL RIGHTS RESERVED.

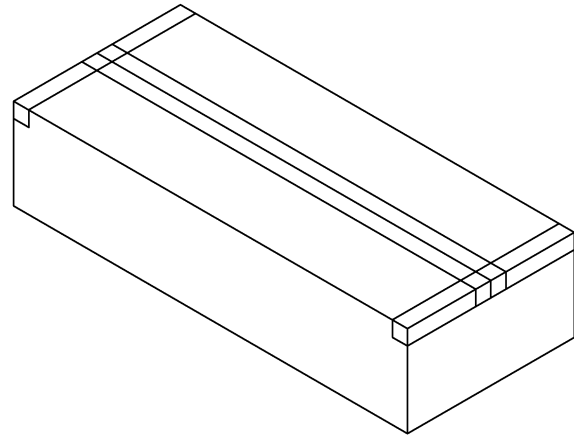
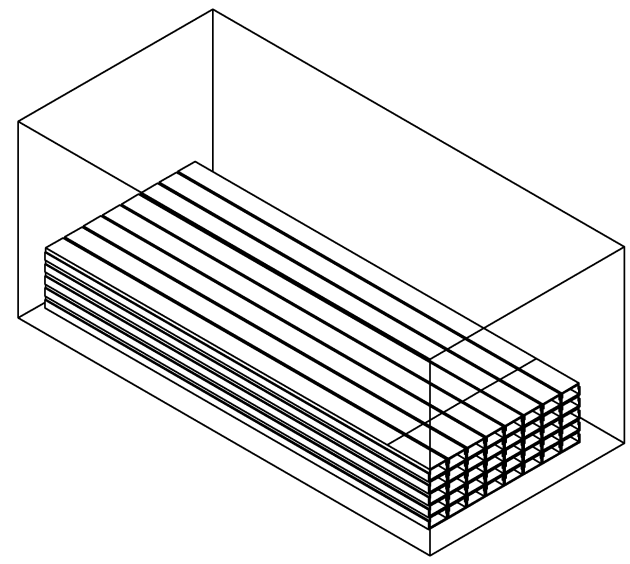
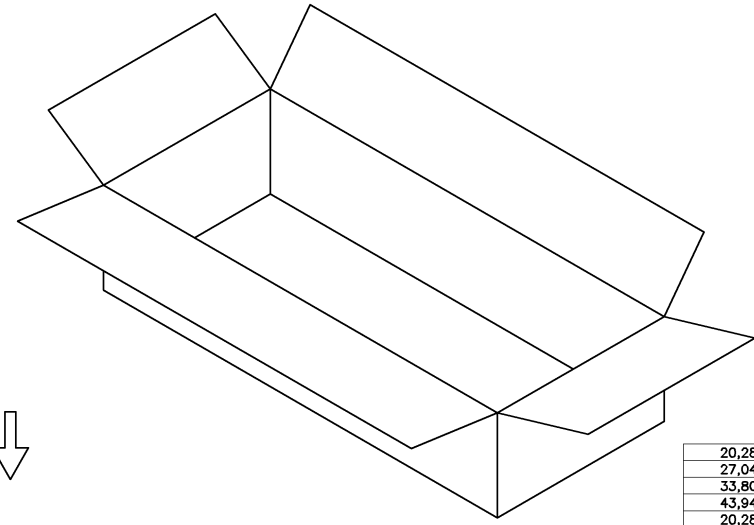
LOC DW DIST

REVISIONS

P	LTR	DESCRIPTION	DATE	DWN	APVD
		SEE SHEET 1.			

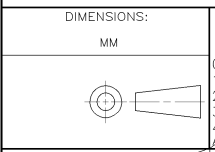


CARTON 470 mm(L)X 340mm(W)X 178mm(H)



20,280	30	5P	8-440054-9
27,040	40	4P	8-440054-8
33,800	50	3P	8-440054-7
43,940	65	2P	8-440054-6
20,280	30	5P	6-440054-9
27,040	40	4P	6-440054-8
33,800	50	3P	6-440054-7
43,940	65	2P	6-440054-6
20,280	30	5P	4-440054-9
27,040	40	4P	4-440054-8
33,800	50	3P	4-440054-7
43,940	65	2P	4-440054-6
6,760	10	16P	5-440054-6
8,112	12	15P	5-440054-5
8,112	12	14P	5-440054-4
8,788	13	13P	5-440054-3
10,140	15	12P	5-440054-2
10,816	16	11P	5-440054-1
12,168	18	10P	5-440054-0
13,520	20	9P	3-440054-9
14,872	22	8P	3-440054-8
16,900	25	7P	3-440054-7
18,928	28	6P	3-440054-6
20,280	30	5P	3-440054-5
27,040	40	4P	3-440054-4
33,800	50	3P	3-440054-3
43,940	65	2P	3-440054-2
APQ (PCS/CARTON)	PPQ (PCS/TUBE)	POS.	PART NUMBER

THIS DRAWING IS A CONTROLLED DOCUMENT.



TOLERANCES UNLESS OTHERWISE SPECIFIED:

0 PLC ± .

1 PLC ± .

2 PLC ± .

3 PLC ± .

4 PLC ± .

ANGLES ± .

FINISH

DWN

CHK

APVD

PRODUCT SPEC

APPLICATION SPEC

WEIGHT

CUSTOMER DRAWING

STE TE Connectivity

NAME

2.0 MM PITCH HPI VERTICAL POST HEADERS

SIZE CAGE CODE DRAWING NO RESTRICTED TO

A3 00779 C=440054

SCALE SHEET 5 OF 5 REV E1