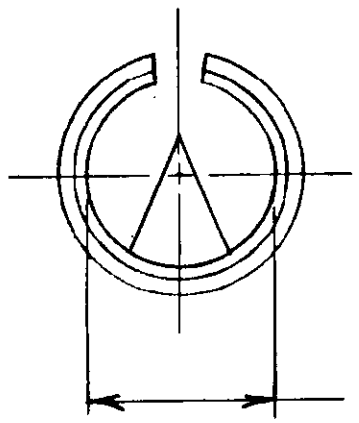
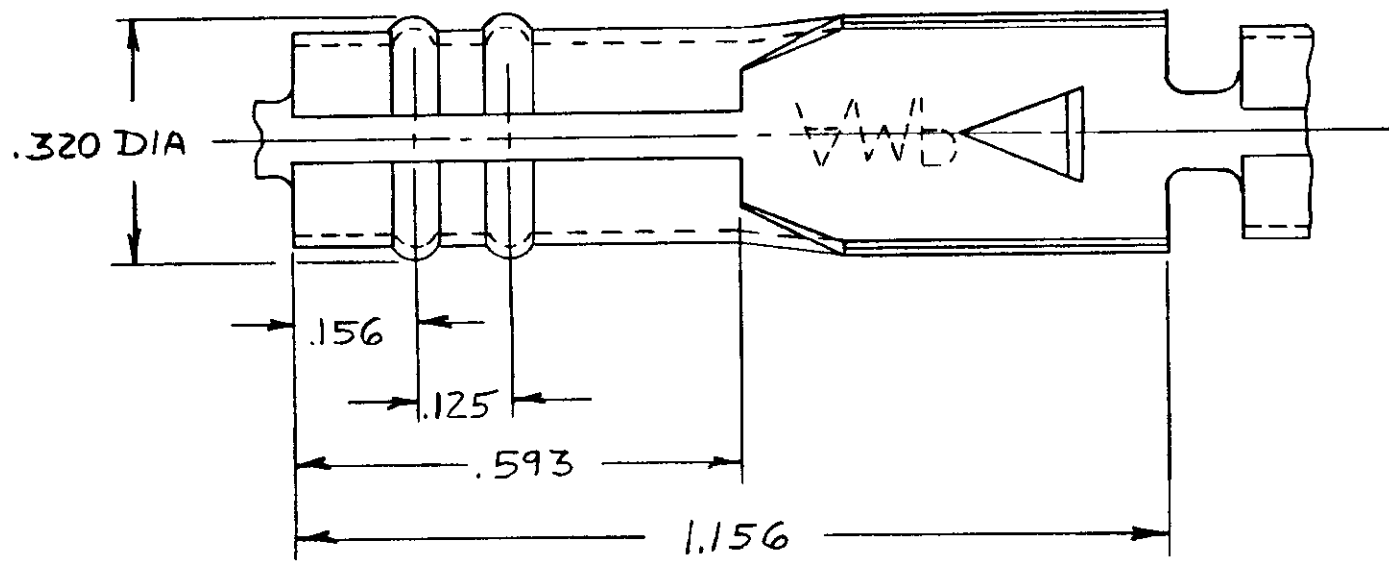
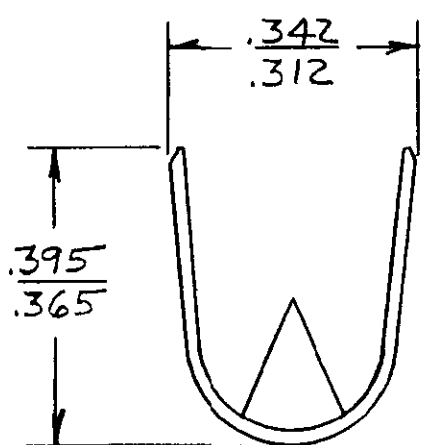
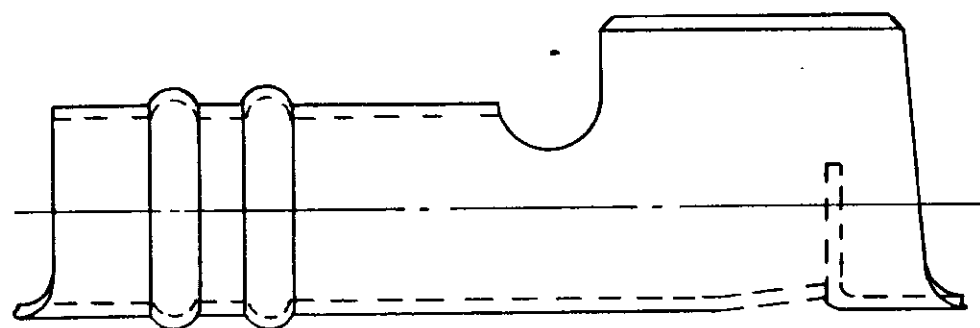


© COPYRIGHT 1953 BY AMP INCORPORATED, HARRISBURG, PA.
 ALL INTERNATIONAL RIGHTS RESERVED. AMP INCORPORATED PRODUCTS
 COVERED BY U. S. AND FOREIGN PATENTS AND/OR PATENTS PENDING.

REVISIONS						
P	F	ZONE	LTR	DESCRIPTION	DATE	APPROVED
✓	✓		E	REDRAWN M-5103	11/20/78	DAS/ΔH.
✓			E1	RESTORATION	4/9/85	ESB/AS
			F	REV PER 0710-0427-95	20/SEP/85	PMF



ACCEPTS .250 DIA
SPARK PLUG



UNLESS OTHERWISE SPECIFIED DIMENSIONS ARE IN INCHES. TOLERANCES ON: DECIMALS ±.015 ANGLES ± 1°		CONTRACT NO		AMP INCORPORATED Harrisburg, Pa.	
MATERIAL .018 STEEL		DR D.A. SALTZER 11-26-78		NAME RECEPTACLE, SPARK PLUG	
FINISH NICKEL		CHK <i>E. J. ...</i> 10/21/75		DRAWING NO 40800	
		APPD <i>E. J. ...</i> 10/21/75		CODE IDENT NO 00779	
		APPD		SCALE 4:1	
		DSGN APPD		SHEET	
		OTHER APPD		PART NO	