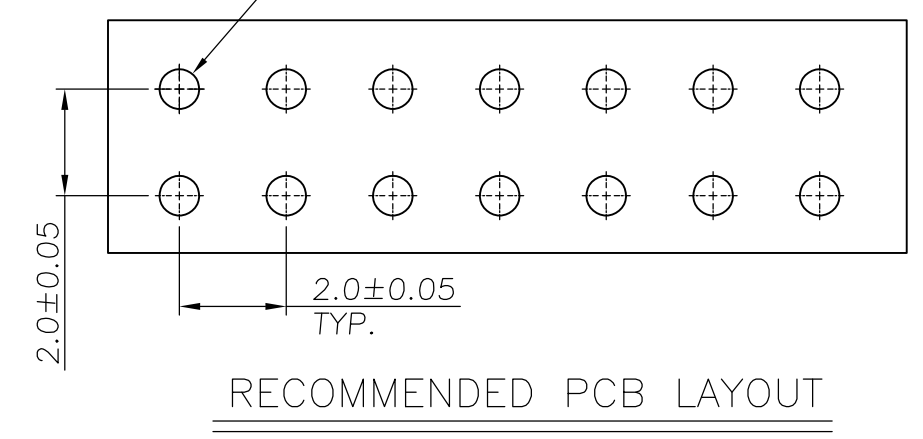
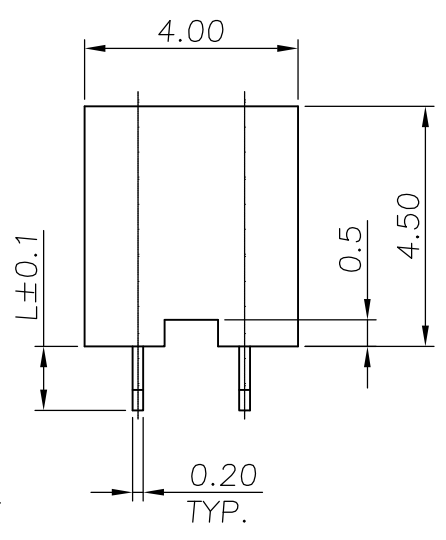
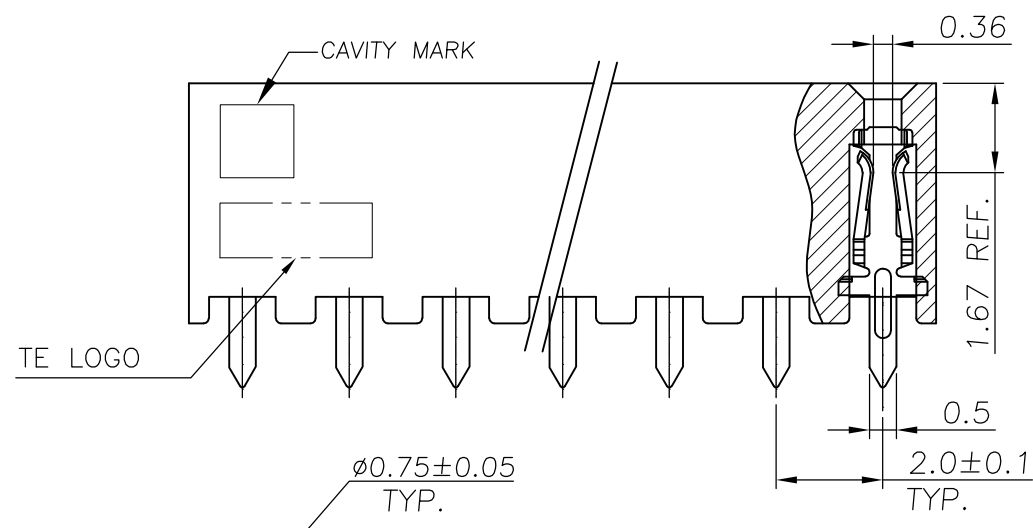
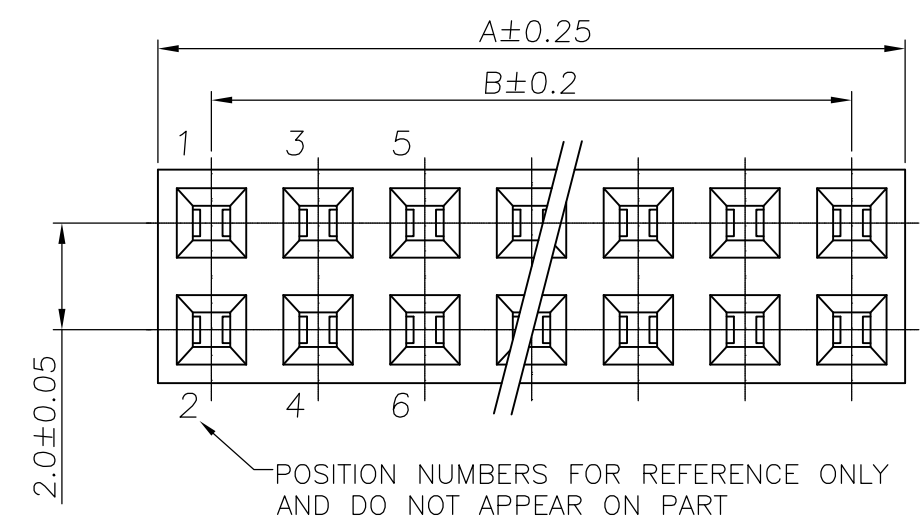
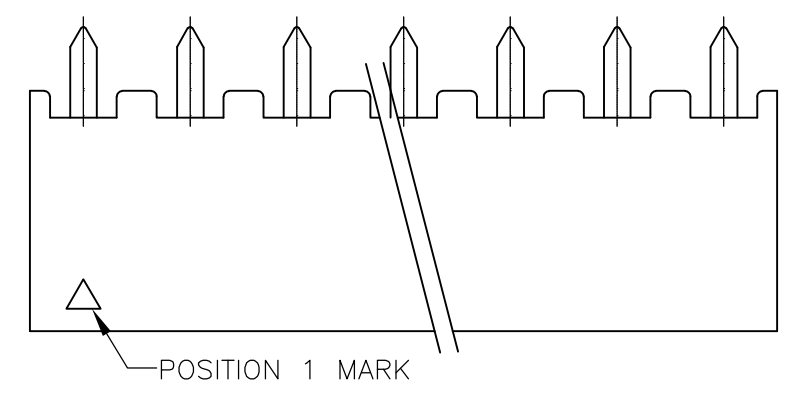


THIS DRAWING IS UNPUBLISHED
 RELEASED FOR PUBLICATION NOV, 2001.
 ALL RIGHTS RESERVED.
 © COPYRIGHT 2009 By -

LOC	DIST	REVISIONS			
P	LTR	DESCRIPTION	DATE	DWN	APVD
IR	-	E3	ECR-10-026537	27JUN11	KK HMR

- NOTE:
- 1 MATERIAL :
HOUSING : NYLON 66 OR EQUIVALENT, UL94V-0, BLACK COLOUR.
CONTACT : COPPER ALLOY
 - 2 FINISH:
CONTACT : GOLD PLATED (SEE TABLE) ON CONTACT AREA
80μ" MIN. TIN PLATED ON SOLDER TAIL,
50μ" MIN. NICKEL UNDERPLATED ALL OVER.
3. APPLICATION :
SOLDERTAIL LENGTH 2.6 FOR PCB THICKNESS 1.6±0.1
1.2 FOR PCB THICKNESS 0.3 MAX.
 4. KEYING POS. : HOUSING CAVITY MOLDED SHUT
 5. QUALIFICATION TEST REPORT: 501-57197



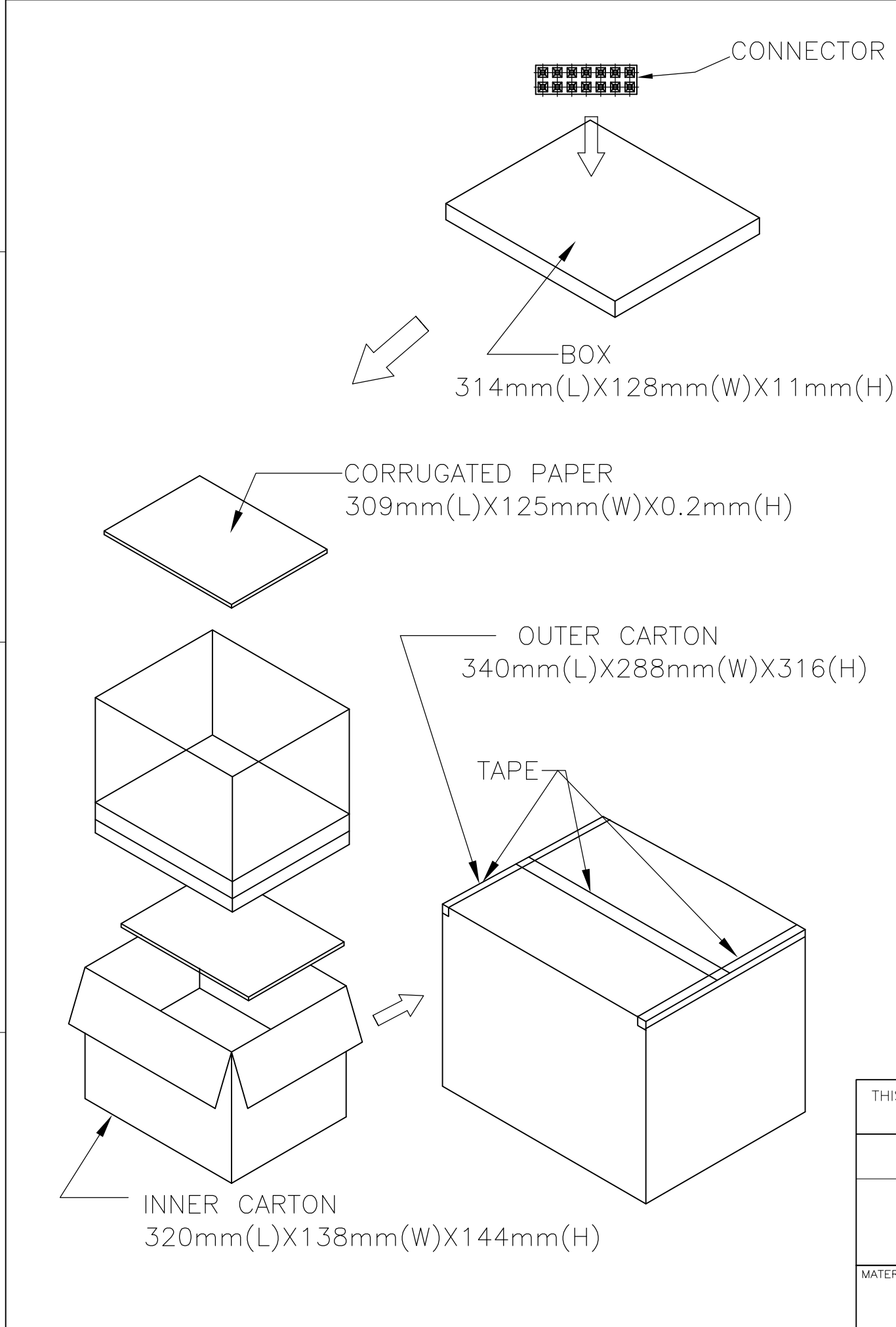
OBsolete	6	40	38	40	9	9	OBsolete	6	40	38	40	4	9
OBsolete		50	48	50	9	8			50	48	50	4	8
OBsolete		48	46	48	9	7			48	46	48	4	7
OBsolete		46	44	46	9	6			46	44	46	4	6
OBsolete		44	42	44	9	5			44	42	44	4	5
OBsolete		42	40	42	9	4			42	40	42	4	4
OBsolete		40	38	40	9	3			40	38	40	4	3
OBsolete		38	36	38	9	2			38	36	38	4	2
OBsolete		36	34	36	9	1			36	34	36	4	1
OBsolete		34	32	34	9	0			34	32	34	4	0
OBsolete		32	30	32	8	9			32	30	32	3	9
OBsolete		30	28	30	8	8			30	28	30	3	8
OBsolete		28	26	28	8	7			28	26	28	3	7
OBsolete		26	24	26	8	6			26	24	26	3	6
OBsolete		24	22	24	8	5			24	22	24	3	5
OBsolete		22	20	22	8	4			22	20	22	3	4
OBsolete		20	18	20	8	3			20	18	20	3	3
OBsolete		18	16	18	8	2			18	16	18	3	2
OBsolete		16	14	16	8	1			16	14	16	3	1
OBsolete		14	12	14	8	0			14	12	14	3	0
OBsolete		12	10	12	7	9			12	10	12	2	9
OBsolete		10	8	10	7	8			10	8	10	2	8
OBsolete		8	6	8	7	7			8	6	8	2	7
OBsolete		6	4	6	7	6			6	4	6	2	6
OBsolete		4	2	4	7	5			4	2	4	2	5
OBsolete		50	48	50	7	4			50	48	50	2	4
OBsolete		48	46	48	7	3			48	46	48	2	3
OBsolete		46	44	46	7	2			46	44	46	2	2
OBsolete		44	42	44	7	1			44	42	44	2	1
OBsolete		42	40	42	7	0			42	40	42	2	0
OBsolete		40	38	40	6	9			40	38	40	1	9
OBsolete		38	36	38	6	8			38	36	38	1	8
OBsolete		36	34	36	6	7			36	34	36	1	7
OBsolete		34	32	34	6	6			34	32	34	1	6
OBsolete		32	30	32	6	5			32	30	32	1	5
OBsolete		30	28	30	6	4			30	28	30	1	4
OBsolete		28	26	28	6	3			28	26	28	1	3
OBsolete		26	24	26	6	2			26	24	26	1	2
OBsolete		24	22	24	6	1			24	22	24	1	1
OBsolete		22	20	22	6	0			22	20	22	1	0
OBsolete		20	18	20	5	9			20	18	20		9
OBsolete		18	16	18	5	8			18	16	18		8
OBsolete		16	14	16	5	7			16	14	16		7
OBsolete		14	12	14	5	6			14	12	14		6
OBsolete		12	10	12	5	5			12	10	12		5
OBsolete		10	8	10	5	4			10	8	10		4
OBsolete		8	6	8	5	3			8	6	8		3
OBsolete		6	4	6	5	2			6	4	6		2
OBsolete		4	2	4	5	1			4	2	4		1

THIS DRAWING IS A CONTROLLED DOCUMENT.

DWN	O.HU	30-NOV-2001	 TE Connectivity	AMPMODU 2.0mm PITCH REC CONN,VERTICAL MOUNT TYPE						
CHK	J.CHENG	30-NOV-2001								
APVD	J.WU	30-NOV-2001								
PRODUCT SPEC	108-57197									
APPLICATION SPEC	-		SIZE	A3	CAGE CODE	-	DRAWING NO	C-1470209	RESTRICTED TO	-
MATERIAL	1		WEIGHT	-	SCALE	1:1	SHEET	1 OF 2	REV	E3

THIS DRAWING IS UNPUBLISHED
 RELEASED FOR PUBLICATION NOV ,2001.
 ALL RIGHTS RESERVED.
 © COPYRIGHT 2009 By -

LOC	DIST	REVISIONS			
P	LTR	DESCRIPTION	DATE	DWN	APVD
	-	SEE SHEET 1	-	-	-



OBSOLETE	"L"	Pcs/Carton	Pcs/Inner Carton	Pcs/BOX	POS.	PART NUMBER
OBSOLETE	5040	1260	105	40	9-	-9
OBSOLETE	4320	1080	90	50	9-	-8
OBSOLETE	4320	1080	90	48	9-	-7
OBSOLETE	4320	1080	90	46	9-	-6
OBSOLETE	4320	1080	90	44	9-	-5
OBSOLETE	5040	1260	105	42	9-	-4
OBSOLETE	5040	1260	105	40	9-	-3
OBSOLETE	5040	1260	105	38	9-	-2
OBSOLETE	5760	1440	120	36	9-	-1
OBSOLETE	5760	1440	120	34	9-	0
OBSOLETE	6480	1620	135	32	8-	-9
OBSOLETE	7200	1800	150	30	8-	-8
OBSOLETE	7200	1800	150	28	8-	-7
OBSOLETE	7920	1980	165	26	8-	-6
OBSOLETE	8640	2160	180	24	8-	-5
OBSOLETE	9360	2340	195	22	8-	-4
OBSOLETE	10080	2520	210	20	8-	-3
OBSOLETE	11520	2880	240	18	8-	-2
OBSOLETE	12960	3240	270	16	8-	-1
OBSOLETE	15120	3780	315	14	8-	0
OBSOLETE	17280	4320	360	12	7-	-9
OBSOLETE	20880	5220	435	10	7-	-8
OBSOLETE	26640	6660	555	8	7-	-7
OBSOLETE	35280	8820	735	6	7-	-6
OBSOLETE	51840	12960	1080	4	7	1470209-5
OBSOLETE	4320	1080	90	50	7-	-4
OBSOLETE	4320	1080	90	48	7-	-3
OBSOLETE	4320	1080	90	46	7-	-2
OBSOLETE	4320	1080	90	44	7-	-1
OBSOLETE	5040	1260	105	42	7-	0
OBSOLETE	5040	1260	105	40	6-	-9
OBSOLETE	5040	1260	105	38	6-	-8
OBSOLETE	5760	1440	120	36	6-	-7
OBSOLETE	5760	1440	120	34	6-	-6
OBSOLETE	6480	1620	135	32	6-	-5
OBSOLETE	7200	1800	150	30	6-	-4
OBSOLETE	7200	1800	150	28	6-	-3
OBSOLETE	7920	1980	165	26	6-	-2
OBSOLETE	8640	2160	180	24	6-	-1
OBSOLETE	9360	2340	195	22	6-	0
OBSOLETE	10080	2520	210	20	5-	-9
OBSOLETE	11520	2880	240	18	5-	-8
OBSOLETE	12960	3240	270	16	5-	-7
OBSOLETE	15120	3780	315	14	5-	-6
OBSOLETE	17280	4320	360	12	5-	-5
OBSOLETE	20880	5220	435	10	5-	-4
OBSOLETE	26640	6660	555	8	5-	-3
OBSOLETE	35280	8820	735	6	5-	-2
OBSOLETE	51840	12960	1080	4	5-	1470209-1

OBSOLETE	"L"	Pcs/Carton	Pcs/Inner Carton	Pcs/BOX	POS.	PART NUMBER
OBSOLETE	5040	1260	105	40	4-	-9
OBSOLETE	4320	1080	90	50	4-	-8
OBSOLETE	4320	1080	90	48	4-	-7
OBSOLETE	4320	1080	90	46	4-	-6
OBSOLETE	4320	1080	90	44	4-	-5
OBSOLETE	5040	1260	105	42	4-	-4
OBSOLETE	5040	1260	105	40	4-	-3
OBSOLETE	5040	1260	105	38	4-	-2
OBSOLETE	5760	1440	120	36	4-	-1
OBSOLETE	5760	1440	120	34	4-	0
OBSOLETE	6480	1620	135	32	3-	-9
OBSOLETE	7200	1800	150	30	3-	-8
OBSOLETE	7200	1800	150	28	3-	-7
OBSOLETE	7920	1980	165	26	3-	-6
OBSOLETE	8640	2160	180	24	3-	-5
OBSOLETE	9360	2340	195	22	3-	-4
OBSOLETE	10080	2520	210	20	3-	-3
OBSOLETE	11520	2880	240	18	3-	-2
OBSOLETE	12960	3240	270	16	3-	-1
OBSOLETE	15120	3780	315	14	3-	0
OBSOLETE	17280	4320	360	12	2-	-9
OBSOLETE	20880	5220	435	10	2-	-8
OBSOLETE	26640	6660	555	8	2-	-7
OBSOLETE	35280	8820	735	6	2-	-6
OBSOLETE	51840	12960	1080	4	2-	1470209-5
OBSOLETE	4320	1080	90	50	2-	-4
OBSOLETE	4320	1080	90	48	2-	-3
OBSOLETE	4320	1080	90	46	2-	-2
OBSOLETE	4320	1080	90	44	2-	-1
OBSOLETE	5040	1260	105	42	2-	0
OBSOLETE	5040	1260	105	40	1-	-9
OBSOLETE	5040	1260	105	38	1-	-8
OBSOLETE	5760	1440	120	36	1-	-7
OBSOLETE	5760	1440	120	34	1-	-6
OBSOLETE	6480	1620	135	32	1-	-5
OBSOLETE	7200	1800	150	30	1-	-4
OBSOLETE	7200	1800	150	28	1-	-3
OBSOLETE	7920	1980	165	26	1-	-2
OBSOLETE	8640	2160	180	24	1-	-1
OBSOLETE	9360	2340	195	22	1-	0
OBSOLETE	10080	2520	210	20		-9
OBSOLETE	11520	2880	240	18		-8
OBSOLETE	12960	3240	270	16		-7
OBSOLETE	15120	3780	315	14		-6
OBSOLETE	17280	4320	360	12		-5
OBSOLETE	20880	5220	435	10		-4
OBSOLETE	26640	6660	555	8		-3
OBSOLETE	35280	8820	735	6		-2
OBSOLETE	51840	12960	1080	4		1470209-1

THIS DRAWING IS A CONTROLLED DOCUMENT.		DWN O.HU 30-NOV-2001	TE Connectivity AMPMODU 2.0mm PITCH REC CONN,VERTICAL MOUNT TYPE		
DIMENSIONS: mm		CHK J.CHENG 30-NOV-2001			
TOLERANCES UNLESS OTHERWISE SPECIFIED:		APVD J.WU 30-NOV-2001	NAME		
0 PLC ± -		PRODUCT SPEC	108-57197		
1 PLC ± 0.15		APPLICATION SPEC	-		
2 PLC ± 0.10		WEIGHT	-		
3 PLC ± 0.05		CUSTOMER DRAWING	SIZE A3	CAGE CODE -	DRAWING NO C-1470209
4 PLC ± -		FINISH	RESTRICTED TO	-	
ANGLES ± 3'		SEE SHEET 1	SCALE 1:1	SHEET 2 OF 2	REV E3